



**GE INDUSTRIAL MOTORS**  
a **WOLONG** company

# Product Technical Information

December 6, 2022

Data shown is for the current revision model #. Ensure your nameplate model # matches.

<b>Model Number:</b>	<b>5KS326DAJ6069</b>
<b>Catalog Number:</b>	<b>V4041</b>
<b>Instruction Manual:</b>	GEI-M1045
<b>Connection Diagram:</b>	GEM2034E-FIG19
<b>Outline Drawing:</b>	148CB32VMHKBCAA0001

## Accessory Connection Diagrams

<b>Bearing Thermocouple:</b>	None	<b>Heater:</b>	3027JE-1C
<b>RTD:</b>	None	<b>Thermistor:</b>	None
<b>Thermostat:</b>	None	<b>Winding Thermocouple:</b>	None
<b>Bearing RTD:</b>	None		

## Table of Contents

Specification	01
Performance Characteristics	02
Outline Drawing	03
Connection Drawing(s)	04
Spare parts	05

Marks:

<b>MODEL NUMBER:</b>	<b>5KS326DAJ6069</b>	<b>Estimated Weight:</b>	740 Lbs
<b>Outline Drawing:</b>	148CB32VMHKBCAA0001	<b>Time Rating:</b>	CONT
<b>Connection Diagram:</b>	GEM2034E-FIG19	<b>Enclosure:</b>	WPI
<b>Instruction Book:</b>	GEI-M1045	<b>Encl Construction:</b>	OPEN
<b>Design Code:</b>	32BD1183AB	<b>Ambient Max(°C):</b>	40
<b>Type:</b>	KS	<b>Alt Ambient Max(°C):</b>	--
<b>Frame:</b>	L326TP16	<b>Insulation Class:</b>	H
<b>Phases:</b>	3	<b>NEMA Design:</b>	B
<b>Poles:</b>	4	<b>Nominal Efficiency:</b>	94.5 %
<b>Output Power:</b>	50HP 37KW	<b>Guaranteed Efficiency:</b>	93.6 %
<b>RPM:</b>	1780	<b>3/4 Load Efficiency:</b>	--
<b>Voltage:</b>	460	<b>KVA Code:</b>	G
<b>Hertz:</b>	60	<b>Max KVAR:</b>	17.7
<b>Amps - FL:</b>	61.0	<b>Power Factor:</b>	81.5
<b>Service Factor:</b>	1.15	<b>Bearing - DE:</b>	6212C3
<b>Alt Service Factor:</b>	--	<b>Bearing - ODE:</b>	235A2523AD01

Enclosure is Weather Protected One

---

Stamped Nameplate Notes:

NEMA ENCLOSURE WP-I, CSA ENCL DP  
 HTR LDS HE1-HE2 115V 100W  
 ROT CCW FACING ODE LEAD/PH SEQ 1-2-3/1-2-3  
 INVERTER DUTY PER NEMA MG1 PART 31  
 ALTERNATE RATING FOR PWM CONTROL:1.0SF 40C AMBIENT  
 VAR TORQUE RANGE 5 -60 HZ  
 UPPER BRG LUBE OIL: 2.1 QTS  
 AMB 0 TO 40 DEG C : ISO 32(MINERAL OR SYNTHETIC)  
 AMB -15 TO 0 DEG C : ISO 32 SYNTHETIC  
 SUITABLE FOR 40 HP, 380V, 50 HZ WITH  
 59.2 AMPS AND 1480 RPM AT 1.0 SF



**Additional Information:**

4P, VERT HOLLOW SHAFT HIGH THRUST (1D)  
C/BOX 346 CU IN - 3.00" NPT  
OIL RESISTANT SLEEVING ON LEADS  
115V HTR LDS TO MAIN CONDUIT BOX  
BEARING LIFE 8760 HRS AT 6324 LB THRUST  
PART WINDING START  
CG:13.86 IN FROM P-BASE FACE, STAT DEF:0.0025 IN  
RCF:3600 CPM AT C/BOX SIDE, 3870 CPM AT  
90 DEG FROM C/ BOX SIDE  
NON-REVERSE BALL CARRIER,  
BOLTED COUPLING, BX = 1.501 IN, EW= 0.375 IN  
FIRE PUMP MOTOR  
SPECIAL BALANCE  
SAME AS 5KS326DAJ6008D EXCEPT 1.50" BX & FIRE PUMP MOTOR



**Performance Characteristics**

1st Winding 1st Connection

**Design: 32BD1183AB**

**Marks:**

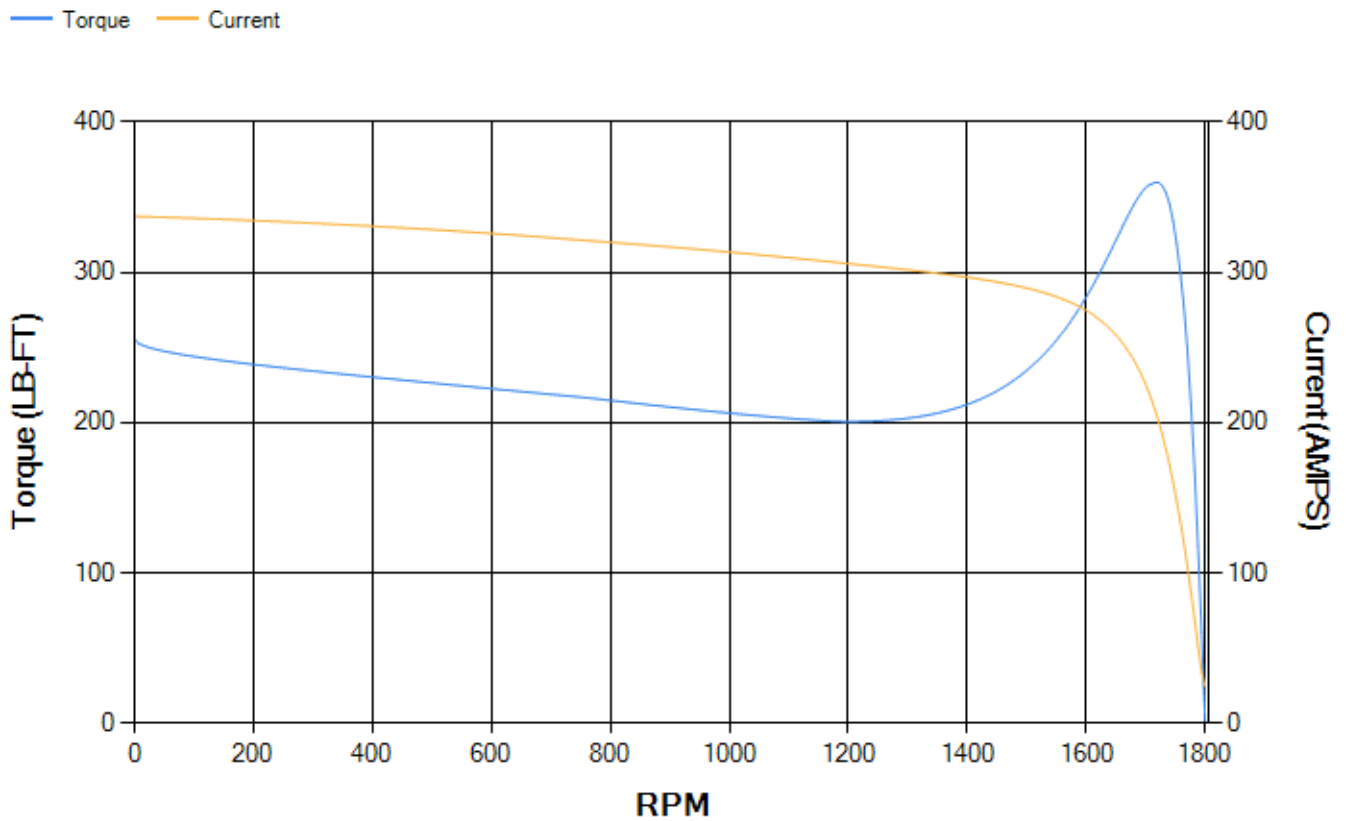
LOAD %	125.0	115.0	100.0	75.0	50.0	25.0	0.0
% EFF	93.76	94.01	94.48	94.43	93.82	90.55	0.00
% PF	82.99	82.53	81.26	76.84	66.88	44.85	4.15
AMPS	75.17	69.37	60.83	48.37	37.29	28.81	24.72

<b>TORQ(FL)#FT</b>	147.45	<b>TORQ(LR)%FL</b>	173.33	<b>TORQ(BD)%FL</b>	243.15
<b>AMPS(LR)</b>	337.38	<b>PF AT START</b>	0.34		

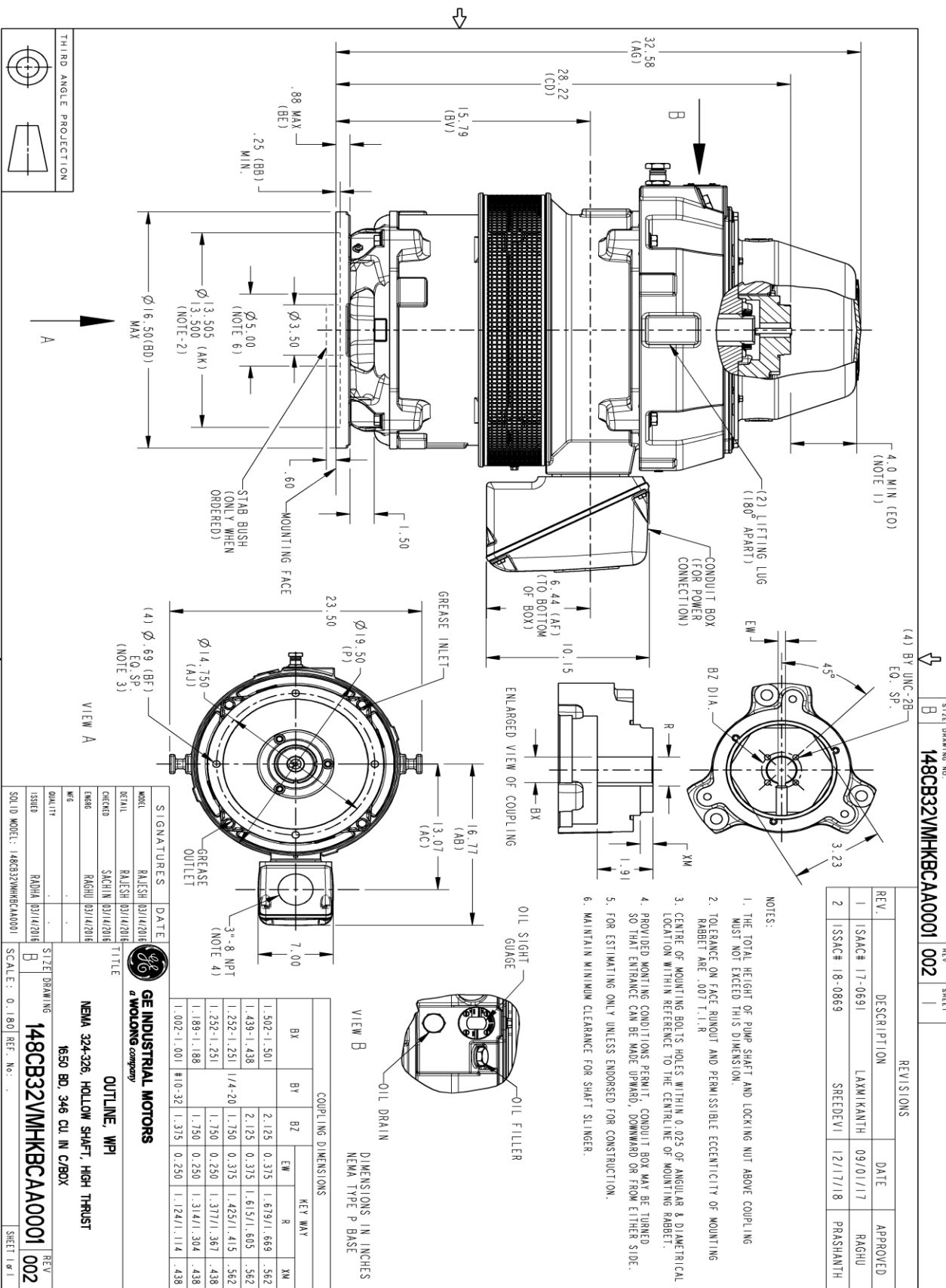
This motor is capable of two cold or one hot start with a maximum connected load inertia of 1384 Lb-Ft Sq (58.27 Kg-meter Sq)at 100% voltage, where the load torque varies with the square of the speed. Acceleration time with maximum inertia and the above load type is 44 seconds. Safe stall time at 100% voltage is 78 seconds cold, 53 seconds hot. Rotor inertia is 8.52 Lb-Ft Sq (0.36 Kg-meter Sq).

<b>Open Circuit A-C:</b>	0.57	<b>Short Circuit D-C:</b>	0.025
<b>Short Circuit A-C:</b>	0.035	<b>X/R Ratio:</b>	9.307
<b>Stator Slots:</b>	48	<b>Rotor Slots:</b>	38

**Speed Torque Current Curve (First Connection, First Speed)**



Marks:



SIZE DRAWING NO. **B** REV. **002** SHEET **1**

148CB32VMHKBCAA0001

SIGNATURES	DATE	TITLE
RAJESH	03/14/2016	DESIGN
RAJESH	03/14/2016	DETAIL
SACHIN	03/14/2016	CHECKED
RAGHU	03/14/2016	ENG
		QC
		ISSUED
		SHEET DRAWING

**GE INDUSTRIAL MOTORS**  
a WOLONG company

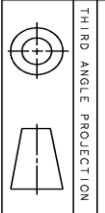
**OUTLINE, WPI**

**NEMA 324-326, HOLLOW SHAFT, HIGH THRUST**

**650 BD, 346 CU IN C/BOX**

**148CB32VMHKBCAA0001**

SCALE: 0.180 REF. NO. SHEET 1 OF 1



**Marks:**

**Connection Diagram  
GEM2034E-FIG19**



**Heater Connection  
3027JE-1C**



End shield Assembly		
Part Description	DE Side Part#	ODE Side Part#
End Shield	115E7205AA1	115E7208LK-G01
Bearing	235A2509BE01	235A2523AD01
Slinger/Inproseal	235A2300FM1	

Fan & Fan Cover Assembly	
Part Description	Part#
Fan	
Fan Cover	161C1052AA1

Conduit & Accessories Box Assembly	
Part Description	Part#
Conduit Box	149C4429AA2

Mechanical Accessories	
Part Description	Part#
Brake	
Tachometer	

