



GE INDUSTRIAL MOTORS
a **WOLONG** company

Product Technical Information

February 17, 2023

Data shown is for the current revision model #. Ensure your nameplate model # matches.

Model Number:	5KS365DAJ6086
Catalog Number:	V4042
Instruction Manual:	GEI-M1045
Connection Diagram:	GEM2034E-FIG19
Outline Drawing:	148CB36VMHKBCLA0001

Accessory Connection Diagrams

Bearing Thermocouple:	None	Heater:	3027JE-1C
RTD:	None	Thermistor:	None
Thermostat:	3027JE-2A	Winding Thermocouple:	None
Bearing RTD:	None		

Table of Contents

Specification	01
Performance Characteristics	02
Outline Drawing	03
Connection Drawing(s)	04
Spare parts	05

Marks:

MODEL NUMBER:	5KS365DAJ6086	Estimated Weight:	830 Lbs
Outline Drawing:	148CB36VMHKBCLA0001	Time Rating:	CONT
Connection Diagram:	GEM2034E-FIG19	Enclosure:	WPI
Instruction Book:	GEI-M1045	Encl Construction:	OPEN
Design Code:	36BD1237AA	Ambient Max(°C):	40
Type:	KS	Alt Ambient Max(°C):	--
Frame:	L365TP16	Insulation Class:	H
Phases:	3	NEMA Design:	B
Poles:	4	Nominal Efficiency:	95.0 %
Output Power:	75HP 55.5KW	Guaranteed Efficiency:	94.1 %
RPM:	1785	3/4 Load Efficiency:	--
Voltage:	460	KVA Code:	G
Hertz:	60	Max KVAR:	27.8
Amps - FL:	91.7	Power Factor:	81.0
Service Factor:	1.15	Bearing - DE:	6212C3
Alt Service Factor:	--	Bearing - ODE:	235A2523AD01

Enclosure is Weather Protected One

Stamped Nameplate Notes:

NEMA ENCLOSURE WP-I, CSA ENCL DP
HTR LDS HE1-HE2 115V 100W
ROT CCW FACING ODE LEAD/PH SEQ 1-2-3/1-2-3
THERMOSTAT LEADS TB1-TB2 TRIP
INVERTER DUTY PER NEMA MG1 PART 31
ALTERNATE RATING FOR PWM CONTROL:1.0SF 40C AMBIENT
VAR TORQUE RANGE 5 -60 HZ
UPPER BRG LUBE OIL: 3.7 QTS
AMB 0 TO 40 DEG C : ISO 32(MINERAL OR SYNTHETIC)
AMB -15 TO 0 DEG C : ISO 32 SYNTHETIC
SUITABLE FOR 60 HP, 380V, 50 HZ WITH
88.3 AMPS AND 1485 RPM AT 1.00 SF;



Additional Information:

4P, VERT HOLLOW SHAFT HIGH THRUST (1D)
C/BOX 346 CU IN - 3.00" NPT
OIL RESISTANT SLEEVING ON LEADS
(3)N.C. CLASS F TRIP TSTAT LDS TO MAIN CONDUIT BOX
115V HTR LDS TO MAIN CONDUIT BOX
SHAFT GROUNDING RING MOUNTED ON LOWER END BRG CAP
BEARING LIFE 8760 HRS AT 6244 LB THRUST
PART WINDING START
CG:15.23 IN FROM P-BASE FACE, STAT DEF:0.0033 IN
RCF:3300 CPM AT C/BOX SIDE, 3270 CPM AT
90 DEG FROM C/ BOX SIDE
NON-REVERSE BALL CARRIER,
BOLTED COUPLING, BX = 1.501 IN, EW= 0.375 IN
FIRE PUMP MOTOR
GROUND PAD
SPECIAL BALANCE
SAME AS 5KS365DAJ6020D EXCEPT 1.50" BX & FIRE PUMP MOTOR



Performance Characteristics

1st Winding 1st Connection

Design: 36BD1237AA

Marks:

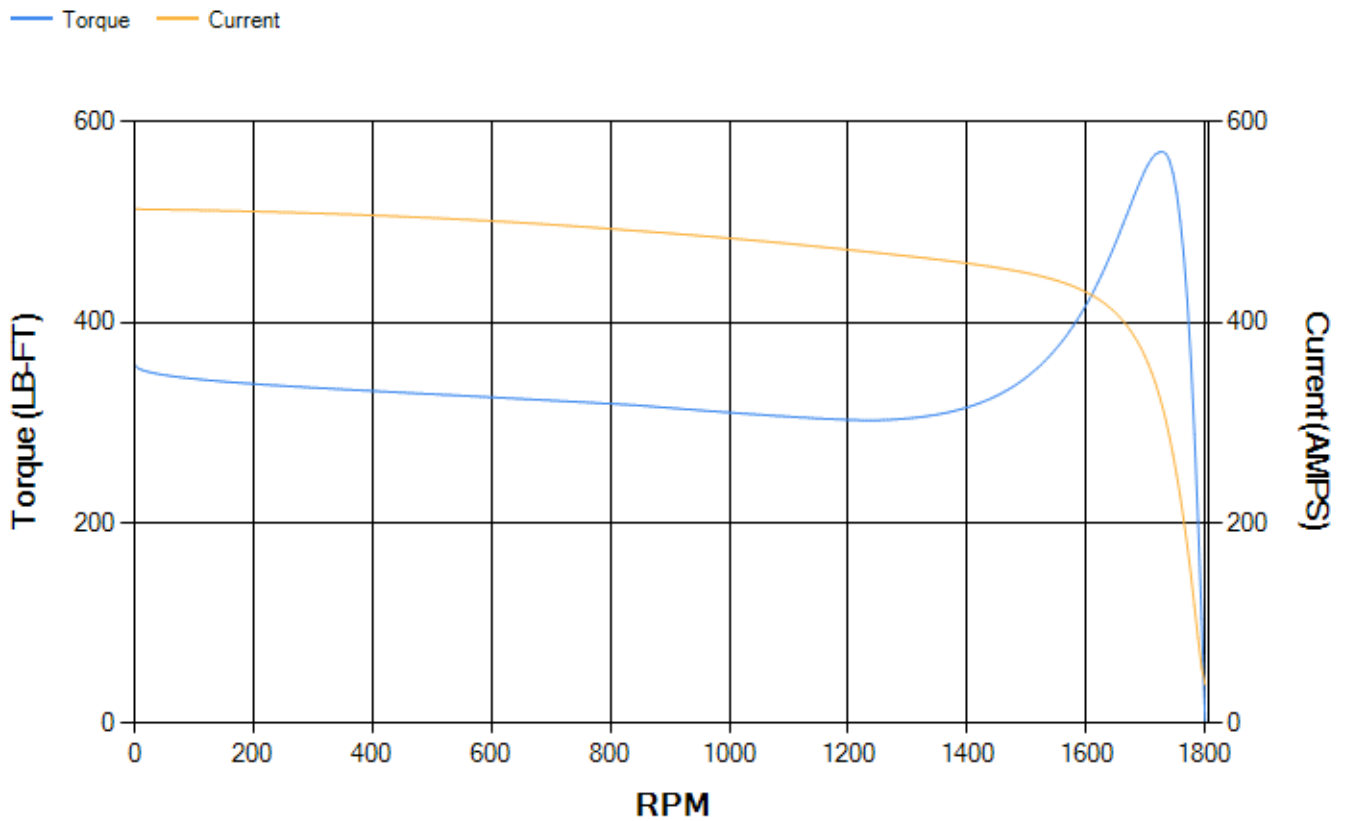
LOAD %	125.0	115.0	100.0	75.0	50.0	25.0	0.0
% EFF	94.18	94.39	94.83	94.74	94.15	91.01	0.00
% PF	83.3	82.68	81.16	76.27	65.72	43.3	3.71
AMPS	111.84	103.44	90.98	72.85	56.73	44.53	38.77

TORQ(FL)#FT	220.86	TORQ(LR)%FL	162.11	TORQ(BD)%FL	257.68
AMPS(LR)	513.21	PF AT START	0.31		

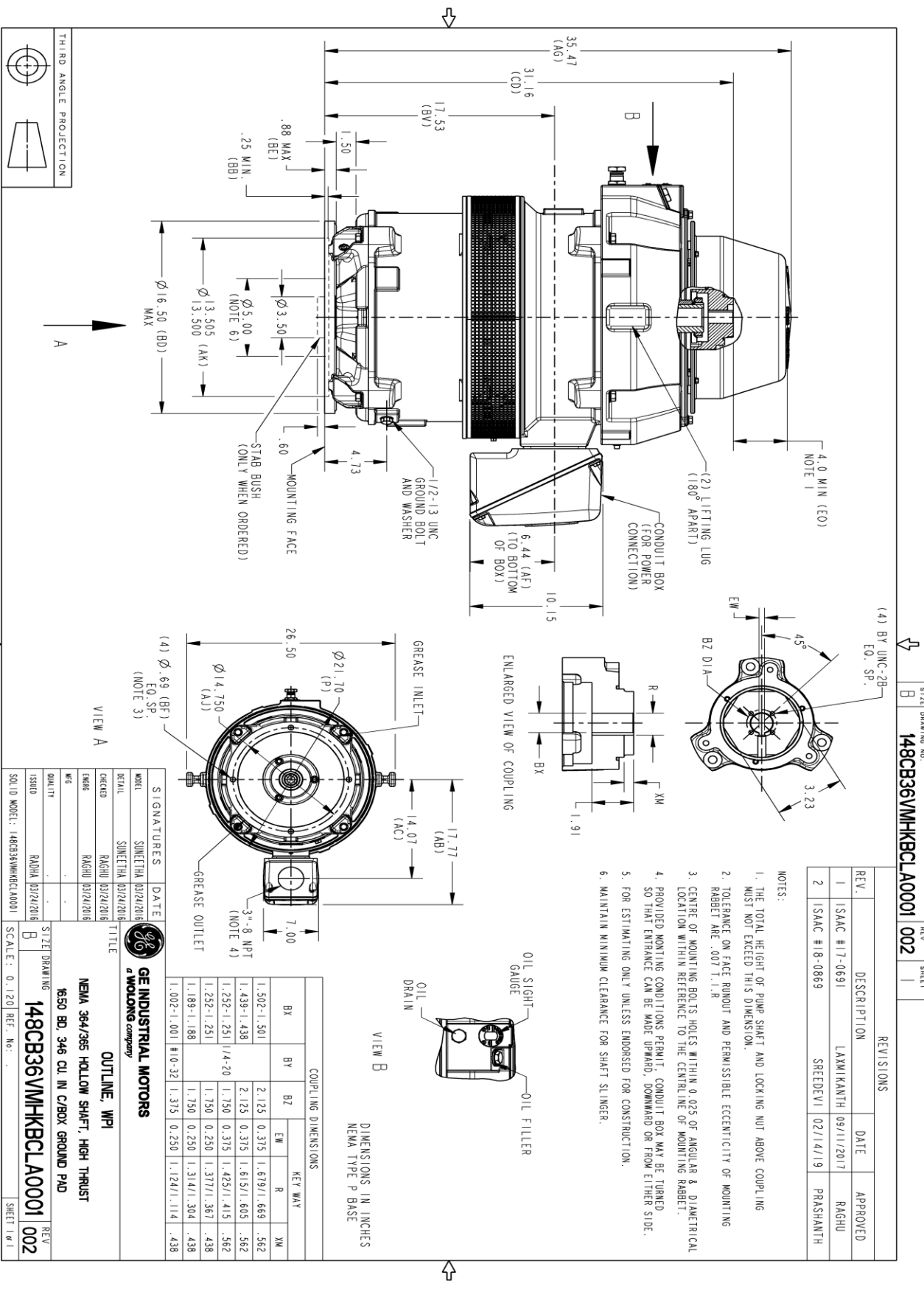
This motor is capable of two cold or one hot start with a maximum connected load inertia of 1597 Lb-Ft Sq (67.23 Kg-meter Sq) at 100% voltage, where the load torque varies with the square of the speed. Acceleration time with maximum inertia and the above load type is 35 seconds. Safe stall time at 100% voltage is 64 seconds cold, 42 seconds hot. Rotor inertia is 12.61 Lb-Ft Sq (0.53 Kg-meter Sq).

Open Circuit A-C:	0.614	Short Circuit D-C:	0.025
Short Circuit A-C:	0.038	X/R Ratio:	9.522
Stator Slots:	60	Rotor Slots:	50

Speed Torque Current Curve (First Connection, First Speed)



Marks:



REV.	DESCRIPTION	DATE	APPROVED
1	ISAC #17-0691	09/11/2017	RAGHU
2	ISAC #18-0869	02/14/19	PRASHANTH

SIGNATURES		DATE	
DESIGN	SUNEETHA	03/24/2016	
DRAWING	RAGHU	03/24/2016	
CHECKED	RAGHU	03/24/2016	
ENG			
ISSUED	RADHA	03/24/2016	
SOLID MODEL:	148CB36VMHKBCLA0001		

SCALE: 0.120 REF. No.:



GE INDUSTRIAL MOTORS
 a WOLONG company

OUTLINE, WPI
 NEMA 364/365 HOLLOW SHAFT, HIGH THRUST
 650 BD, 346 CL IN C/BOX GROUND PAD

REV	DESCRIPTION	DATE	APPROVED
001	148CB36VMHKBCLA0001		
002	148CB36VMHKBCLA0001		

SIZE DRAWING NO. 148CB36VMHKBCLA0001 002

REV. 1 SHEET 1

Marks:

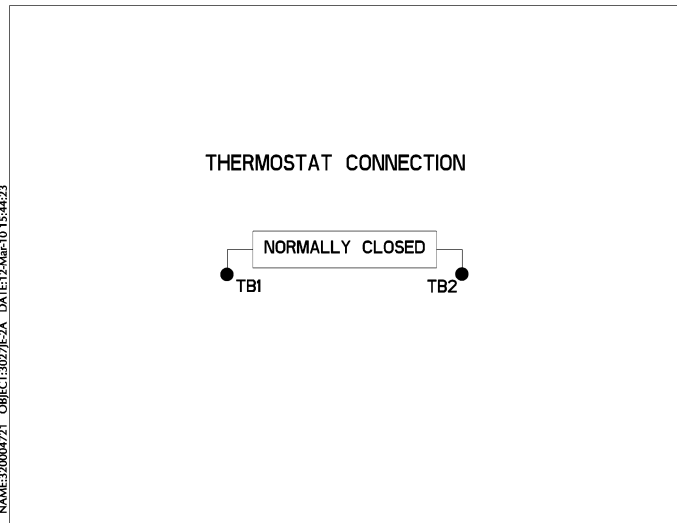
Connection Diagram
GEM2034E-FIG19



Heater Connection
3027JE-1C



Thermostat Connection
3027JE-2A



NAME:320004721 - OBJECT:3027JE-2A DATE:12-Mar-10 15:44:23



End shield Assembly		
Part Description	DE Side Part#	ODE Side Part#
End Shield	115E7255AA1	115E7259LK-G01
Bearing	235A2509BE01	235A2523AD01
Slinger/Inproseal	235A2300FM1	

Fan & Fan Cover Assembly	
Part Description	Part#
Fan	
Fan Cover	161C1053AA1

Conduit & Accessories Box Assembly	
Part Description	Part#
Conduit Box	149C4429AA2

Mechanical Accessories	
Part Description	Part#
Brake	
Tachometer	

