



**GE INDUSTRIAL MOTORS**  
a **WOLONG** company

# Product Technical Information

February 17, 2023

Data shown is for the current revision model #. Ensure your nameplate model # matches.

<b>Model Number:</b>	<b>5KS324DAJ6066</b>
<b>Catalog Number:</b>	<b>V4043</b>
<b>Instruction Manual:</b>	GEI-M1045
<b>Connection Diagram:</b>	GEM2034E-FIG19
<b>Outline Drawing:</b>	148CB32VMHKBCAA0001

## Accessory Connection Diagrams

<b>Bearing Thermocouple:</b>	None	<b>Heater:</b>	3027JE-1C
<b>RTD:</b>	None	<b>Thermistor:</b>	None
<b>Thermostat:</b>	None	<b>Winding Thermocouple:</b>	None
<b>Bearing RTD:</b>	None		

## Table of Contents

Specification	01
Performance Characteristics	02
Outline Drawing	03
Connection Drawing(s)	04
Spare parts	05

Marks:

<b>MODEL NUMBER:</b>	<b>5KS324DAJ6066</b>	<b>Estimated Weight:</b>	690 Lbs
<b>Outline Drawing:</b>	148CB32VMHKBCAA0001	<b>Time Rating:</b>	CONT
<b>Connection Diagram:</b>	GEM2034E-FIG19	<b>Enclosure:</b>	WPI
<b>Instruction Book:</b>	GEI-M1045	<b>Encl Construction:</b>	OPEN
<b>Design Code:</b>	32BD1310AA	<b>Ambient Max(°C):</b>	40
<b>Type:</b>	KS	<b>Alt Ambient Max(°C):</b>	--
<b>Frame:</b>	L324TP16	<b>Insulation Class:</b>	H
<b>Phases:</b>	3	<b>NEMA Design:</b>	B
<b>Poles:</b>	4	<b>Nominal Efficiency:</b>	94.1 %
<b>Output Power:</b>	40HP 29.6KW	<b>Guaranteed Efficiency:</b>	93.0 %
<b>RPM:</b>	1780	<b>3/4 Load Efficiency:</b>	--
<b>Voltage:</b>	460	<b>KVA Code:</b>	G
<b>Hertz:</b>	60	<b>Max KVAR:</b>	15.3
<b>Amps - FL:</b>	50.0	<b>Power Factor:</b>	80.0
<b>Service Factor:</b>	1.15	<b>Bearing - DE:</b>	6212C3
<b>Alt Service Factor:</b>	--	<b>Bearing - ODE:</b>	235A2523AD01

Enclosure is Weather Protected One

---

Stamped Nameplate Notes:

NEMA ENCLOSURE WP-I, CSA ENCL DP  
HTR LDS HE1-HE2 115V 100W  
ROT CCW FACING ODE LEAD/PH SEQ 1-2-3/1-2-3  
INVERTER DUTY PER NEMA MG1 PART 31  
ALTERNATE RATING FOR PWM CONTROL:1.0SF 40C AMBIENT  
VAR TORQUE RANGE 5 -60 HZ  
UPPER BRG LUBE OIL: 2.1 QTS  
AMB 0 TO 40 DEG C : ISO 32(MINERAL OR SYNTHETIC)  
AMB -15 TO 0 DEG C : ISO 32 SYNTHETIC  
SUITABLE FOR 30 HP, 380V, 50 HZ WITH  
46.0 AMPS AND 1480 RPM AT 1.0 SF



**Additional Information:**

4P, VERT HOLLOW SHAFT HIGH THRUST (1D)  
C/BOX 346 CU IN - 3.00" NPT  
OIL RESISTANT SLEEVING ON LEADS  
115V HTR LDS TO MAIN CONDUIT BOX  
BEARING LIFE 8760 HRS AT 6324 LB THRUST  
PART WINDING START  
CG:13.86 IN FROM P-BASE FACE, STAT DEF:0.0025 IN  
RCF:3600 CPM AT C/BOX SIDE, 3870 CPM AT  
90 DEG FROM C/ BOX SIDE  
NON-REVERSE BALL CARRIER,  
BOLTED COUPLING, BX = 1.501 IN, EW= 0.375 IN  
USABLE FOR FIRE PUMP APPLICATION AS WELL



**Performance Characteristics**

1st Winding 1st Connection

**Design: 32BD1310AA**

**Marks:**

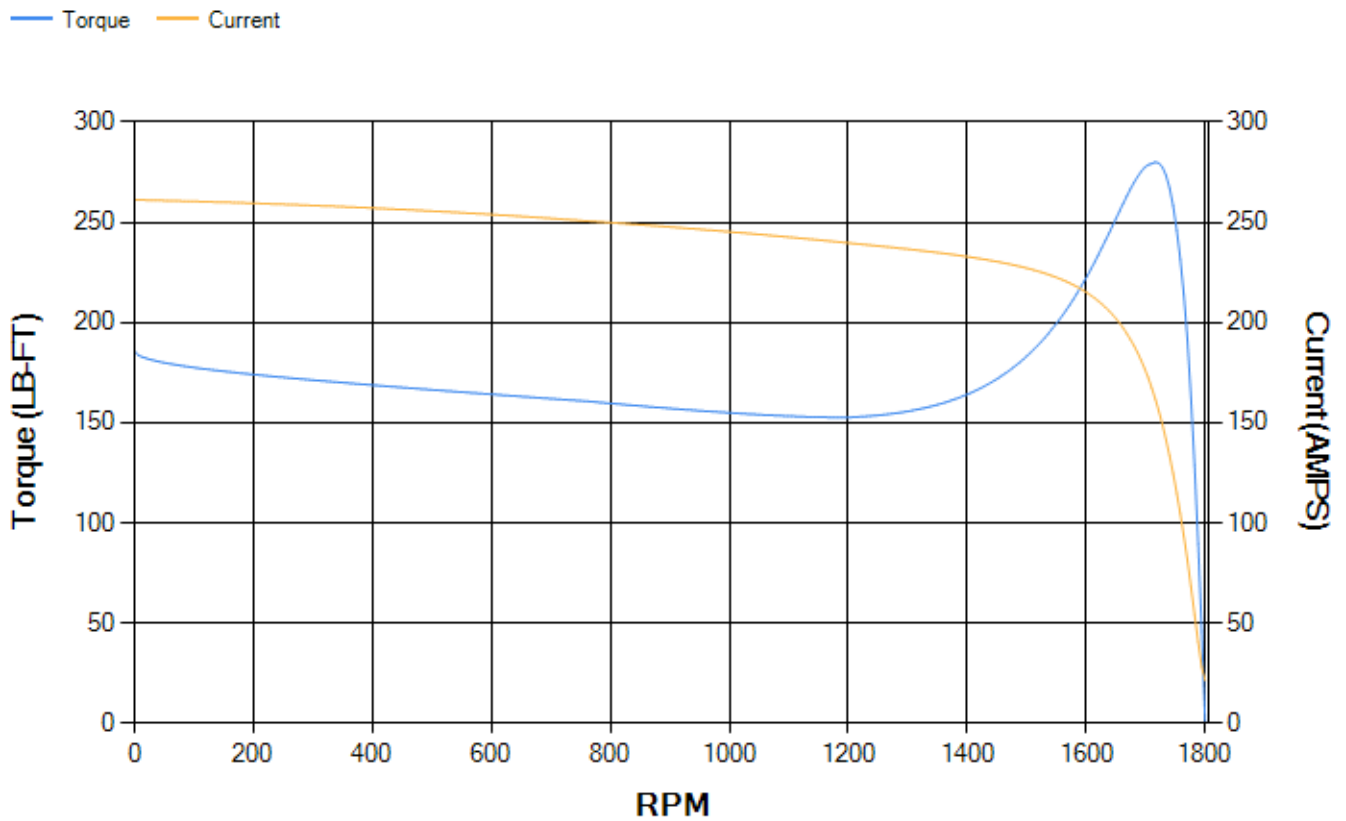
LOAD %	125.0	115.0	100.0	75.0	50.0	25.0	0.0
% EFF	93.15	93.4	93.87	93.76	92.99	89.16	0.00
% PF	81.8	81.26	79.84	75.05	64.65	42.77	4.51
AMPS	61.41	56.73	49.84	39.9	31.14	24.54	21.35

<b>TORQ(FL)#FT</b>	118.01	<b>TORQ(LR)%FL</b>	157.38	<b>TORQ(BD)%FL</b>	236.32
<b>AMPS(LR)</b>	261.24	<b>PF AT START</b>	0.33		

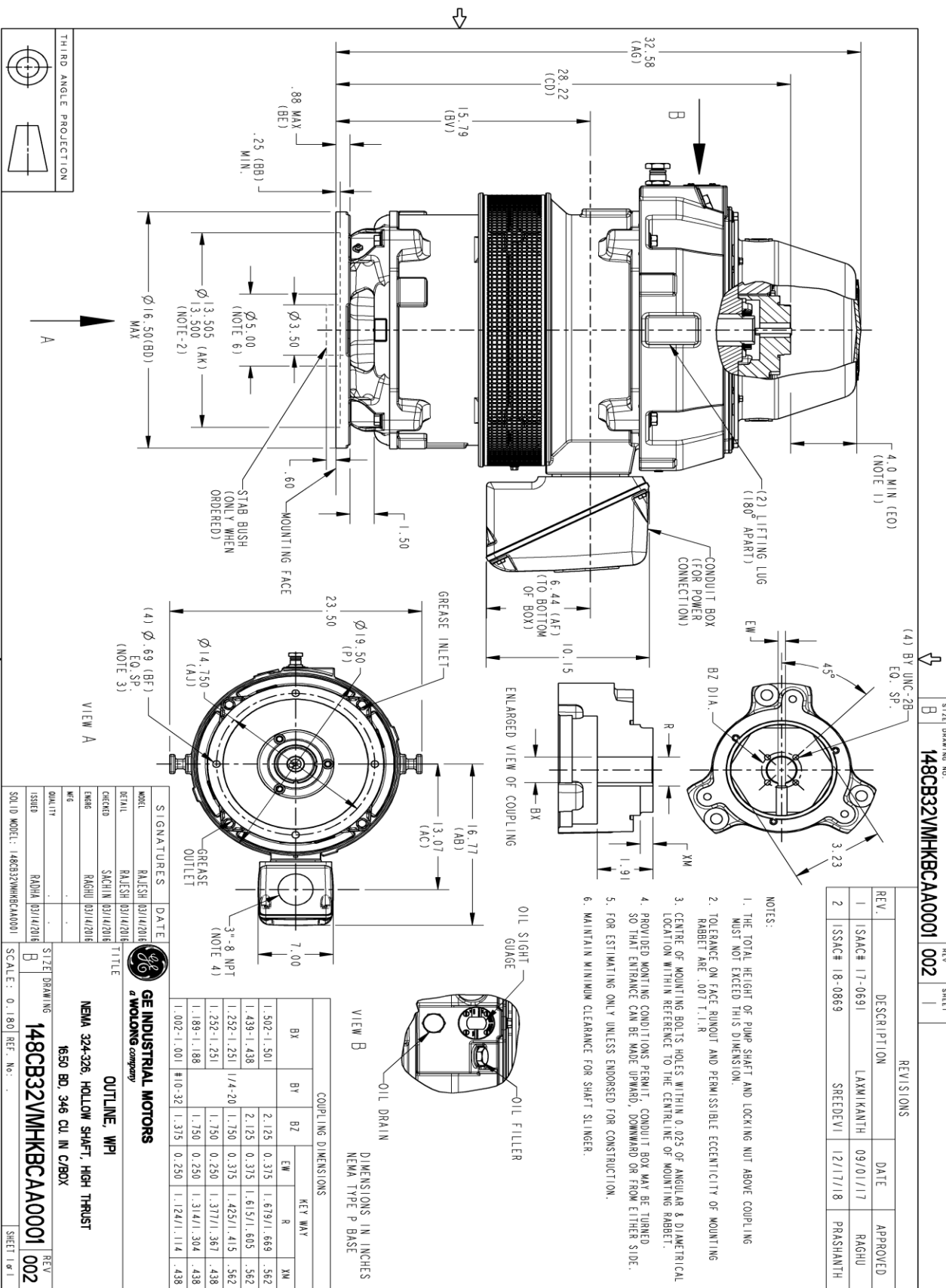
This motor is capable of two cold or one hot start with a maximum connected load inertia of 1174 Lb-Ft Sq (49.43 Kg-meter Sq)at 100% voltage, where the load torque varies with the square of the speed. Acceleration time with maximum inertia and the above load type is 51 seconds. Safe stall time at 100% voltage is 87 seconds cold, 61 seconds hot. Rotor inertia is 6.63 Lb-Ft Sq (0.28 Kg-meter Sq).

<b>Open Circuit A-C:</b>	0.514	<b>Short Circuit D-C:</b>	0.024
<b>Short Circuit A-C:</b>	0.035	<b>X/R Ratio:</b>	8.887
<b>Stator Slots:</b>	48	<b>Rotor Slots:</b>	38

**Speed Torque Current Curve (First Connection, First Speed)**



Marks:



REVISONS

REV.	DESCRIPTION	DATE	APPROVED
1	ISAC# 17-0691	09/01/17	RAGHU
2	ISSAC# 18-0869	12/17/18	PRAASHANTH

- NOTES:
1. THE TOTAL HEIGHT OF PUMP SHAFT AND LOCKING NUT ABOVE COUPLING MUST NOT EXCEED THIS DIMENSION.
  2. TOLERANCE ON FACE RIMOUT AND PERMISSIBLE ECCENTRICITY OF MOUNTING RABBIT ARE .007 T.I.R
  3. CENTRE OF MOUNTING BOLTS HOLES WITHIN 0.025 OF ANGULAR & DIAMETRICAL LOCATION WITHIN REFERENCE TO THE CENTRALINE OF MOUNTING RABBIT.
  4. PROVIDED MONTING CONDITIONS PERMIT, CONDUIT BOX MAY BE TURNED SO THAT ENTRANCE CAN BE MADE UPWARD, DOWNWARD OR FROM EITHER SIDE.
  5. FOR ESTIMATING ONLY UNLESS ENDORSED FOR CONSTRUCTION.
  6. MAINTAIN MINIMUM CLEARANCE FOR SHAFT SLINGER.

COUPLING DIMENSIONS

BX	BY	BZ	KEY WAY			
			EW	R	XM	YM
1.502-1.501	2.125	0.375	1.679/1.669	.562		
1.439-1.438	2.125	0.375	1.615/1.605	.562		
1.292-1.291	1/4-20	1.750	1.425/1.415	.562		
1.252-1.251		1.750	1.377/1.367	.438		
1.189-1.188		0.250	1.314/1.304	.438		
1.002-1.001	#10-32	1.375	1.124/1.114	.438		

**GE INDUSTRIAL MOTORS**  
*a wolong company*

**OUTLINE, WPI**

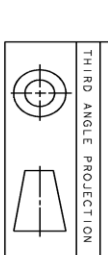
NEMA 324-326, HOLLOW SHAFT, HIGH THRUST

6550 BD, 346 CU IN C/BOX

SIGNATURES

NO.	NAME	DATE
1	RAJESH	03/14/2016
2	RAJESH	03/14/2016
3	SACHIN	03/14/2016
4	RAGHU	03/14/2016

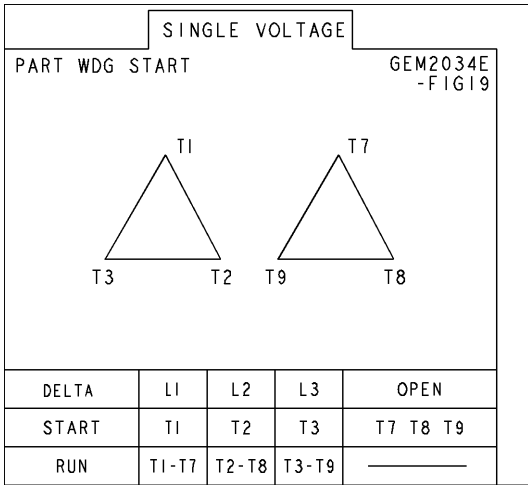
ISSUED: RADHA 03/14/2016  
 SCALE: 0.180 REF. NO.:  
 SOLID MODEL: 148CB32VMHKBCAA0001



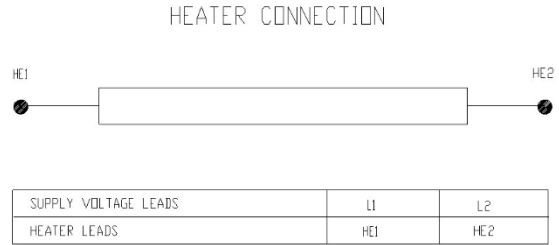
SIZE DRAWING NO. B  
 148CB32VMHKBCAA0001 002  
 REV SHEET 1

**Marks:**

**Connection Diagram**  
**GEM2034E-FIG19**



**Heater Connection**  
**3027JE-1C**



End shield Assembly		
Part Description	DE Side Part#	ODE Side Part#
End Shield	115E7205AA1	115E7208LK-G01
Bearing	235A2509BE01	235A2523AD01
Slinger/Inproseal	235A2300FM1	

Fan & Fan Cover Assembly	
Part Description	Part#
Fan	
Fan Cover	161C1052AA1

Conduit & Accessories Box Assembly	
Part Description	Part#
Conduit Box	149C4429AA2

Mechanical Accessories	
Part Description	Part#
Brake	
Tachometer	

