



GE INDUSTRIAL MOTORS
a **WOLONG** company

Product Technical Information

July 15, 2020

Data shown is for the current revision model #. Ensure your nameplate model # matches.

Model Number:	5KS326DAJ6005D
Catalog Number:	V4415
Instruction Manual:	GEI-M1045
Connection Diagram:	GEM2034E-FIG9
Outline Drawing:	148CB32VMHKBCAA0001

Accessory Connection Diagrams

Bearing Thermocouple:	None	Heater:	3027JE-1C
RTD:	None	Thermistor:	None
Thermostat:	None	Winding Thermocouple:	None
Bearing RTD:	None		

Table of Contents

Specification	01
Performance Characteristics	02
Outline Drawing	03
Connection Drawing(s)	04
Spare parts	05

Marks:

MODEL NUMBER:	5KS326DAJ6005D	Estimated Weight:	740 Lbs
Outline Drawing:	148CB32VMHKBCAA0001	Time Rating:	CONT
Connection Diagram:	GEM2034E-FIG9	Enclosure:	WPI
Instruction Book:	GEI-M1045	Encl Construction:	OPEN
Design Code:	32BD1183AB	Ambient Max(°C):	40
Type:	KS	Alt Ambient Max(°C):	--
Frame:	L326TP16	Insulation Class:	H
Phases:	3	NEMA Design:	B
Poles:	4	Nominal Efficiency:	94.5 %
Output Power:	50HP 37KW	Guaranteed Efficiency:	93.600 %
RPM:	1780	3/4 Load Efficiency:	--
Voltage:	230/460	KVA Code:	G
Hertz:	60	Max KVAR:	17.7
Amps - FL:	122.0/61.0	Power Factor:	81.5
Service Factor:	1.15	Bearing - DE:	6212C3
Alt Service Factor:	--	Bearing - ODE:	235A2523AD01

Enclosure is Weather Protected One

Stamped Nameplate Notes:

NEMA ENCLOSURE WP-I, CSA ENCL DP
HTR LDS HE1-HE2 115V 100W
ROT CCW FACING ODE LEAD/PH SEQ 1-2-3/1-2-3
INVERTER DUTY PER NEMA MG1 PART 31
ALTERNATE RATING FOR PWM CONTROL:1.0SF 40C AMBIENT
VAR TORQUE RANGE 5 -60 HZ
UPPER BRG LUBE OIL: 2.1 QTS
0 DEG C TO 40 DEG C : ISO 32(MINERAL OR SYNTHETIC)
-15 DEG C TO 0 DEG C : ISO 32 SYNTHETIC
SUITABLE FOR 40 HP, 190/380V, 50 HZ WITH
118.4/59.2 AMPS AND 1480 RPM AT 1.0 SF



Additional Information:

4P, VERT HOLLOW SHAFT HIGH THRUST (1D)
C/BOX 346 CU IN - 3.00" NPT
SPECIAL BALANCE
OIL RESISTANT SLEEVING ON LEADS
115V HTR LDS TO MAIN CONDUIT BOX
BEARING LIFE 8760 HRS AT 6324 LB THRUST
CG:13.86 IN FROM P-BASE FACE, STAT DEF:0.0025 IN
RCF:3600 CPM AT C/BOX SIDE, 3870 CPM AT
90 DEG FROM C/ BOX SIDE
NON-REVERSE BALL CARRIER,
BOLTED COUPLING, BX = 1.251, EW = 0.25
COMMON FOR STD STOCK AS WELL AS FIRE PUMP



Performance Characteristics

1st Winding 1st Connection

Design: 32BD1183AB

Marks:

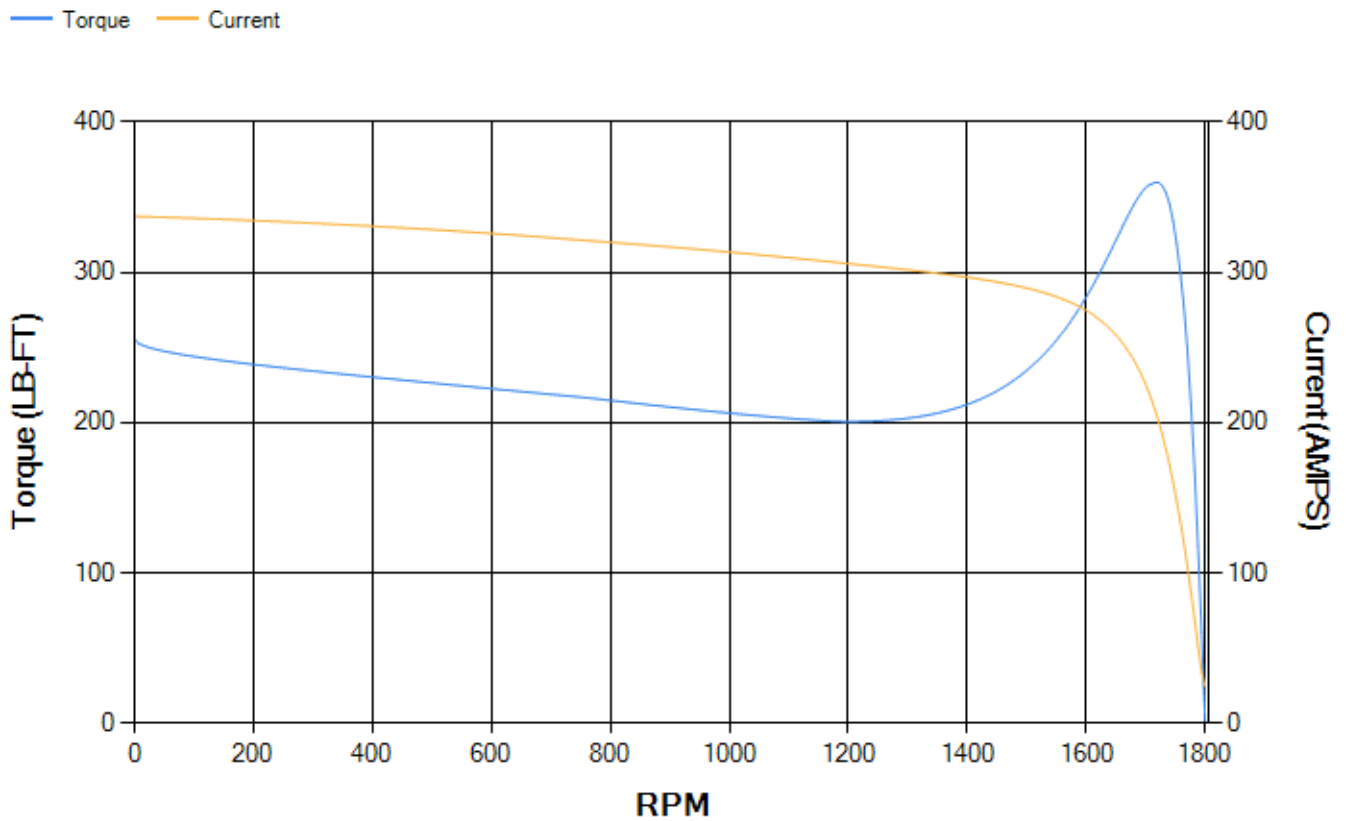
LOAD %	125.0	115.0	100.0	75.0	50.0	25.0	0.0
% EFF	93.76	94.01	94.48	94.43	93.82	90.55	0.00
% PF	82.99	82.53	81.26	76.84	66.88	44.85	4.15
AMPS	75.17	69.37	60.83	48.37	37.29	28.81	24.72

TORQ(FL)#FT	147.45	TORQ(LR)%FL	173.33	TORQ(BD)%FL	243.15
AMPS(LR)	337.38	PF AT START	0.34		

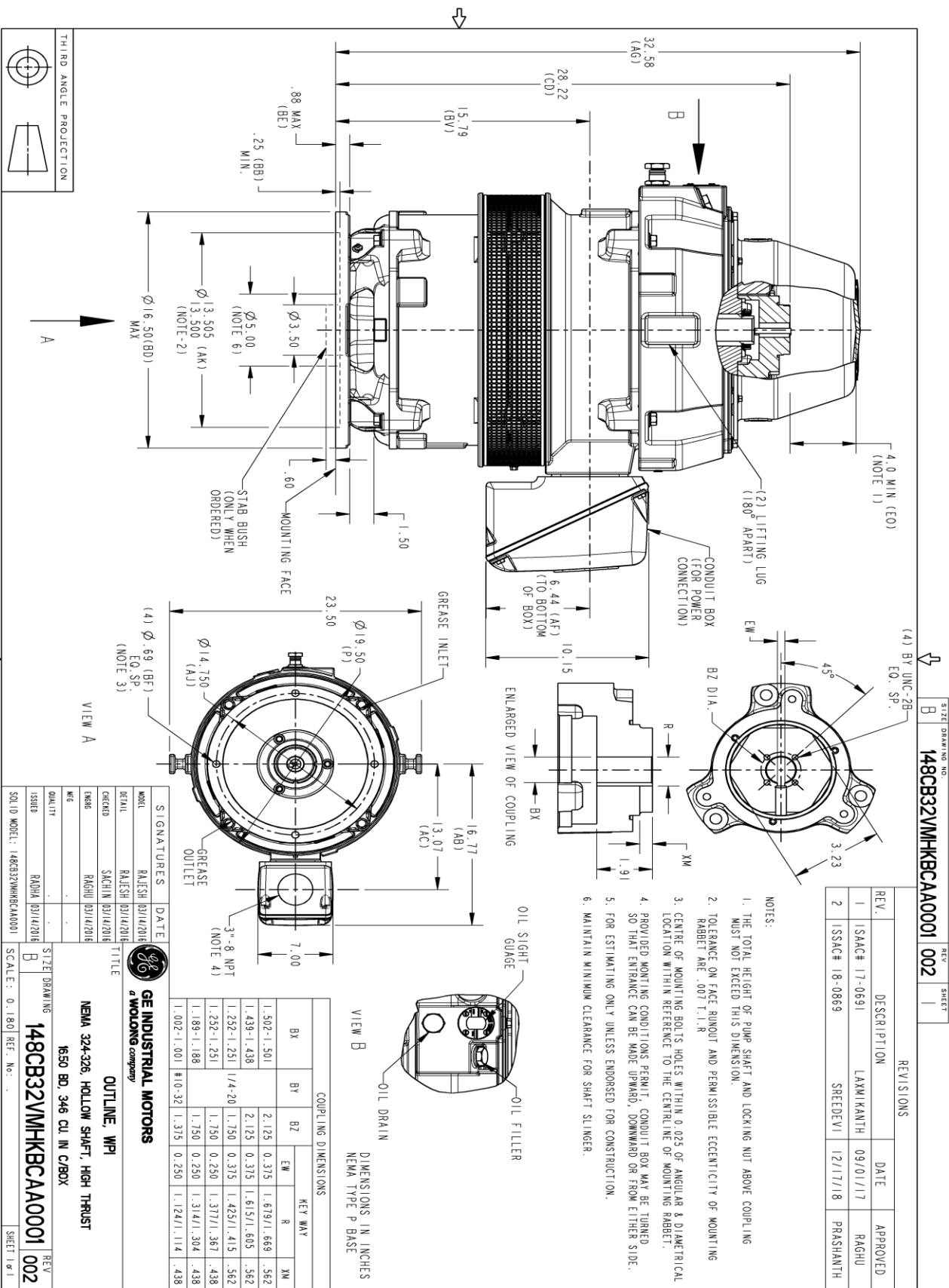
This motor is capable of two cold or one hot start with a maximum connected load inertia of 1384 Lb-Ft Sq (58.27 Kg-meter Sq)at 100% voltage, where the load torque varies with the square of the speed. Acceleration time with maximum inertia and the above load type is 44 seconds. Safe stall time at 100% voltage is 78 seconds cold, 53 seconds hot. Rotor inertia is 8.52 Lb-Ft Sq (0.36 Kg-meter Sq).

Open Circuit A-C:	0.57	Short Circuit D-C:	0.025
Short Circuit A-C:	0.035	X/R Ratio:	9.307
Stator Slots:	48	Rotor Slots:	38

Speed Torque Current Curve (First Connection, First Speed)



Marks:



REV. DESCRIPTION DATE APPROVED

1	ISAC# 17-0691	09/01/17	LAGHU
2	ISSAC# 18-0869	12/17/18	PRASHANTH

- NOTES:
1. THE TOTAL HEIGHT OF PUMP SHAFT AND LOCKING NUT ABOVE COUPLING MUST NOT EXCEED THIS DIMENSION.
 2. TOLERANCE ON FACE RIMOUT AND PERMISSIBLE ECCENTRICITY OF MOUNTING RABBIT ARE .007 T.1.R
 3. CENTRE OF MOUNTING BOLTS HOLES WITHIN 0.025 OF ANGULAR & DIAMETRICAL LOCATION WITHIN REFERENCE TO THE CENTRAL LINE OF MOUNTING RABBIT.
 4. PROVIDED MONTING CONDITIONS PERMIT, CONDUIT BOX MAY BE TURNED SO THAT ENTRANCE CAN BE MADE UPWARD, DOWNWARD OR FROM EITHER SIDE.
 5. FOR ESTIMATING ONLY UNLESS ENDORSED FOR CONSTRUCTION.
 6. MAINTAIN MINIMUM CLEARANCE FOR SHAFT SLINGER.

COUPLING DIMENSIONS

BX	BY	BZ	KEYWAY			
			EW	R	XM	YM
1.502-1.501	2.125	0.315	1.679/1.669	.562		
1.439-1.438	2.125	0.315	1.615/1.605	.562		
1.292-1.291	1/4-20	1.750	1.425/1.415	.562		
1.252-1.251	1.750	0.250	1.371/1.367	.438		
1.189-1.188	1.750	0.250	1.314/1.304	.438		
1.002-1.001	#10-32	1.315	1.124/1.114	.438		

SIGNATURES

NO.	NAME	DATE
1	RAJESH	03/14/2016
2	RAJESH	03/14/2016
3	SACHIN	03/14/2016
4	RAJESH	03/14/2016

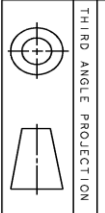
GE INDUSTRIAL MOTORS
a WOLONG company

OUTLINE, WPI

NEMA 324-326, HOLLOW SHAFT, HIGH THRUST

6550 BD, 346 CU IN C/BOX

SCALE: 0.180 REF. NO. 148CB32VMHKBCAA0001



SIZE DRAWING NO. B 148CB32VMHKBCAA0001 002

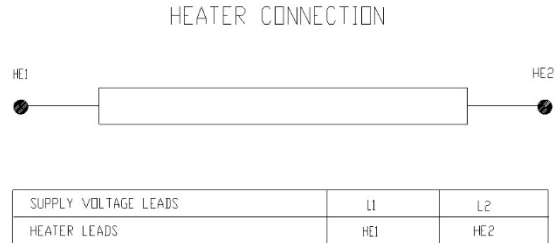
REV. SHEET 1

Marks:

Connection Diagram
GEM2034E-FIG9



Heater Connection
3027JE-1C



End shield Assembly		
Part Description	DE Side Part#	ODE Side Part#
End Shield	115E7205AA1	115E7208LJ1
Bearing	235A2509BE01	235A2523AD01
Slinger/Inproseal	235A2300FM1	

Fan & Fan Cover Assembly	
Part Description	Part#
Fan	
Fan Cover	161C1052AA1

Conduit & Accessories Box Assembly	
Part Description	Part#
Conduit Box	149C4429AA2

Mechanical Accessories	
Part Description	Part#
Brake	
Tachometer	

