



GE INDUSTRIAL MOTORS
a **WOLONG** company

Product Technical Information

February 17, 2023

Data shown is for the current revision model #. Ensure your nameplate model # matches.

| | |
|----------------------------|----------------------|
| Model Number: | 5KS405DAJ6058 |
| Catalog Number: | V4475 |
| Instruction Manual: | GEI-M1045 |
| Connection Diagram: | GEM2034E-FIG273 |
| Outline Drawing: | 148CB40VMHKCCAA0001 |

Accessory Connection Diagrams

| | | | |
|------------------------------|------|------------------------------|-----------|
| Bearing Thermocouple: | None | Heater: | 3027JE-1C |
| RTD: | None | Thermistor: | None |
| Thermostat: | None | Winding Thermocouple: | None |
| Bearing RTD: | None | | |

Table of Contents

| | |
|-----------------------------|----|
| Specification | 01 |
| Performance Characteristics | 02 |
| Outline Drawing | 03 |
| Connection Drawing(s) | 04 |
| Spare parts | 05 |

Marks:

| | | | |
|----------------------------|----------------------|-------------------------------|--------------|
| MODEL NUMBER: | 5KS405DAJ6058 | Estimated Weight: | 1190 Lbs |
| Outline Drawing: | 148CB40VMHKCCAA0001 | Time Rating: | CONT |
| Connection Diagram: | GEM2034E-FIG273 | Enclosure: | WPI |
| Instruction Book: | GEI-M1045 | Encl Construction: | OPEN |
| Design Code: | 40BD1258B | Ambient Max(°C): | 40 |
| Type: | KS | Alt Ambient Max(°C): | -- |
| Frame: | L405TP16 | Insulation Class: | H |
| Phases: | 3 | NEMA Design: | B |
| Poles: | 4 | Nominal Efficiency: | 94.5 % |
| Output Power: | 125HP 92.5KW | Guaranteed Efficiency: | 93.6 % |
| RPM: | 1785 | 3/4 Load Efficiency: | -- |
| Voltage: | 460/575 | KVA Code: | G |
| Hertz: | 60 | Max KVAR: | 43.0 |
| Amps - FL: | 145.0/118.0 | Power Factor: | 83.5 |
| Service Factor: | 1.15 | Bearing - DE: | 6215C3 |
| Alt Service Factor: | -- | Bearing - ODE: | 235A2532AA01 |

Enclosure is Weather Protected One

Stamped Nameplate Notes:

NEMA ENCLOSURE WP-I, CSA ENCL DP
 HTR LDS HE1-HE2 115V 100W
 ROT CCW FACING ODE LEAD/PH SEQ 1-2-3/1-2-3
 INVERTER DUTY PER NEMA MG1 PART 31
 ALTERNATE RATING FOR PWM CONTROL:1.0SF 40C AMBIENT
 VAR TORQUE RANGE 5 -60 HZ
 UPPER BRG LUBE OIL: 6 QTS
 AMB 0 TO 40 DEG C : ISO 32(MINERAL OR SYNTHETIC)
 AMB -15 TO 0 DEG C : ISO 32 SYNTHETIC



Additional Information:

4P, VERT HOLLOW SHAFT HIGH THRUST (2D)
C/BOX 700 CU IN - 3.00" NPT
OIL RESISTANT SLEEVING ON LEADS
115V HTR LDS TO MAIN CONDUIT BOX
BEARING LIFE 8760 HRS AT 14600 LB THRUST
BEARING LIFE 10339 HRS AT 14000 LB THRUST
CG:18.50 IN FROM P-BASE FACE, STAT DEF:0.0032 IN
RCF:3240 CPM AT C/BOX SIDE, 3360 CPM AT
90 DEG FROM C/ BOX SIDE
NON-REVERSE BALL CARRIER,
BOLTED COUPLING, BX = 1.501 IN, EW= 0.375 IN
FIRE PUMP MOTOR
ESTIMATED SOUND PRESSURE < 85 DBA@ 1 METER



Performance Characteristics

1st Winding 1st Connection

Design: 40BD1258B

Marks:

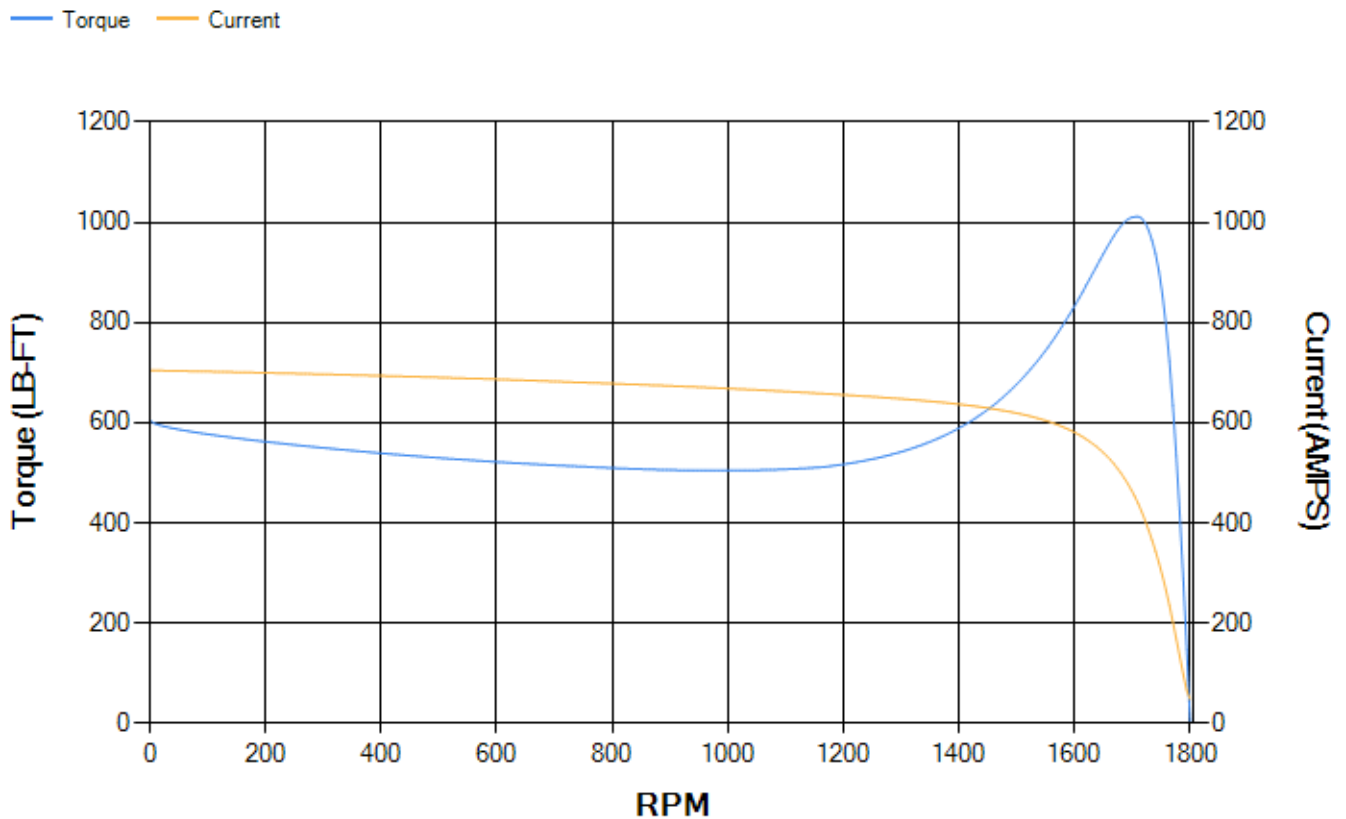
| LOAD % | 125.0 | 115.0 | 100.0 | 75.0 | 50.0 | 25.0 | 0.0 |
|--------|--------|--------|--------|-------|-------|-------|-------|
| % EFF | 94.68 | 94.87 | 95.3 | 95.22 | 94.7 | 91.9 | 0.00 |
| % PF | 85.44 | 84.82 | 83.37 | 78.71 | 68.48 | 45.8 | 3.7 |
| AMPS | 144.62 | 133.75 | 117.81 | 93.66 | 72.16 | 55.59 | 48.02 |

| | | | | | |
|--------------------|--------|--------------------|--------|--------------------|--------|
| TORQ(FL)#FT | 367.95 | TORQ(LR)%FL | 164.48 | TORQ(BD)%FL | 274.34 |
| AMPS(LR) | 704.48 | PF AT START | 0.32 | | |

This motor is capable of two cold or one hot start with a maximum connected load inertia of 2453 Lb-Ft Sq (103.27 Kg-meter Sq)at 100% voltage, where the load torque varies with the square of the speed. Acceleration time with maximum inertia and the above load type is 31 seconds. Safe stall time at 100% voltage is 64 seconds cold, 37 seconds hot. Rotor inertia is 24.72 Lb-Ft Sq (1.04 Kg-meter Sq).

| | | | |
|---------------------------|-------|---------------------------|-------|
| Open Circuit A-C: | 0.673 | Short Circuit D-C: | 0.025 |
| Short Circuit A-C: | 0.042 | X/R Ratio: | 9.547 |
| Stator Slots: | 72 | Rotor Slots: | 58 |

Speed Torque Current Curve (First Connection, First Speed)



Marks:

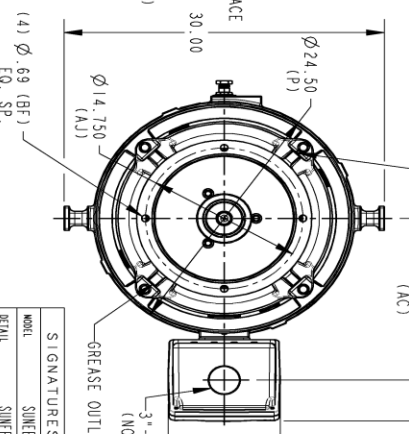
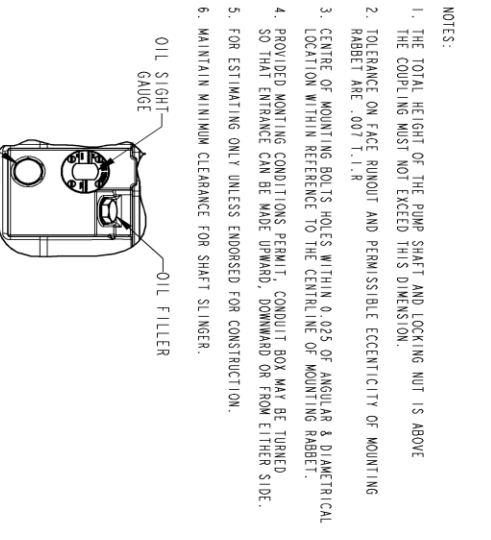
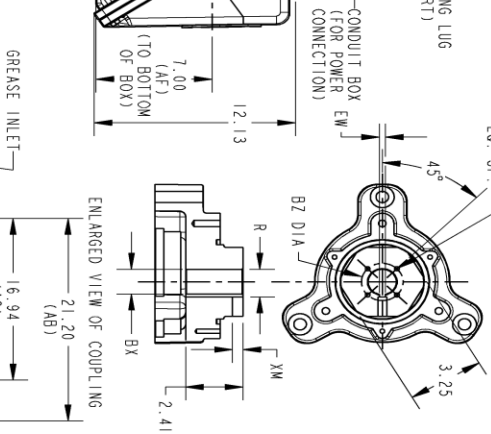
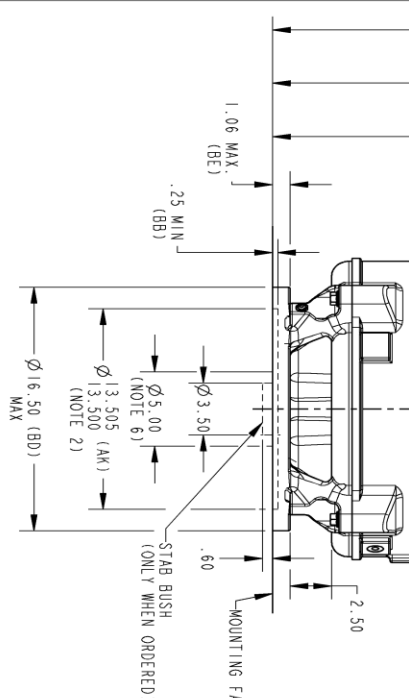
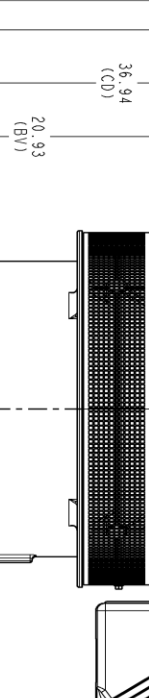
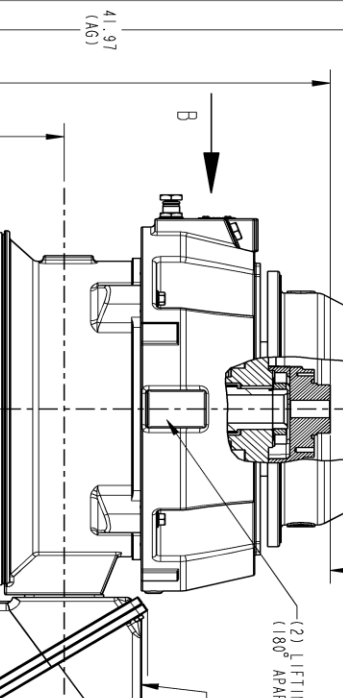
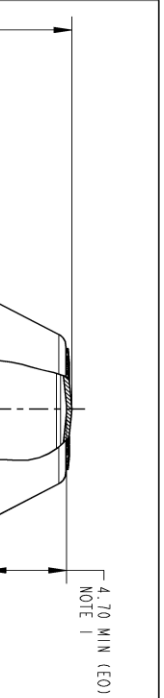
PROPRIETARY INFORMATION

All rights reserved. This document and the information it contains is the property of the Molog Electric America LLC and/or its affiliates. It has been provided solely for the use of the customer. Any other use, including copying, distribution, or disclosure, is strictly prohibited except as expressly authorized in writing by the Molog Electric America LLC.

SIZE: DRAWING NO. 148CB40VMHKCCA0001 003 REV. SHEET 1

REVISONS

| REV. | DESCRIPTION | DATE | APPROVED |
|------|----------------|----------|------------|
| 1 | ISAC# 17-0655 | 08/30/17 | HAREHARAN |
| 2 | ISAC# 18-0214 | 03/15/18 | VILAY |
| 3 | ISSAC# 18-0869 | 12/05/18 | PRAASHANTH |



COUPLING DIMENSIONS

| KEY WAY | BX | | BY | | BZ | |
|---------|-------------|-------|------|-------------|------|------|
| | EW | R | EW | R | EW | R |
| | 1.688-1.689 | 2.500 | .375 | 1.869/1.859 | .562 | .562 |
| | 1.502-1.501 | 2.125 | .375 | 1.679/1.669 | .562 | .562 |
| | 1.439-1.438 | 2.125 | .375 | 1.615/1.605 | .562 | .562 |
| | 1.252-1.251 | 1.750 | .375 | 1.425/1.415 | .438 | .438 |
| | 1.252-1.251 | 1.750 | .250 | 1.377/1.367 | .438 | .438 |
| | 1.189-1.188 | 1.750 | .250 | 1.314/1.304 | .438 | .438 |

SIGNATURES

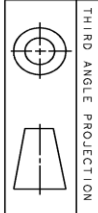
| MODEL | DATE |
|---------------------------------|------|
| SINETHA 03/17/2016 | |
| RETAL SINETHA 03/17/2016 | |
| ORDER RAGHU 03/17/2016 | |
| ENG RAGHU 03/17/2016 | |
| QC | |
| QUALITY | |
| ISSUED RADHA 03/17/2016 | |
| SOLID MODEL: 148CB40VMHKCCA0001 | |

GE INDUSTRIAL MOTORS
a WOLONG company

NEMA 404/405 HOLLOW SHAFT, HIGH THRUST
 650 BD, 700 CU IN C/BOX

OUTLINE, WPI

SCALE: 0.140 REF. NO. 148CB40VMHKCCA0001 003

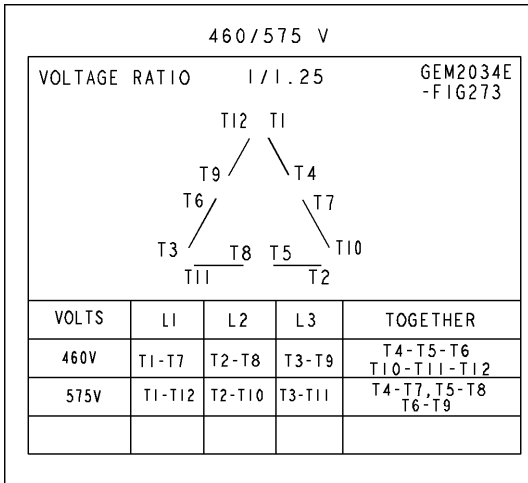


REVISIONS

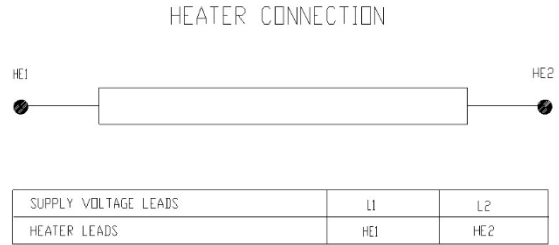
| REV. | DESCRIPTION | DATE | APPROVED |
|------|----------------|----------|------------|
| 1 | ISAC# 17-0655 | 08/30/17 | HAREHARAN |
| 2 | ISAC# 18-0214 | 03/15/18 | VILAY |
| 3 | ISSAC# 18-0869 | 12/05/18 | PRAASHANTH |

Marks:

Connection Diagram
GEM2034E-FIG273



Heater Connection
3027JE-1C



| End shield Assembly | | |
|---------------------|---------------|----------------|
| Part Description | DE Side Part# | ODE Side Part# |
| End Shield | 115E7306AC1 | 115E7310LK-G01 |
| Bearing | 235A2513AL01 | 235A2532AA01 |
| Slinger/Inproseal | 235A2300HW1 | |

| Fan & Fan Cover Assembly | |
|--------------------------|-------------|
| Part Description | Part# |
| Fan | |
| Fan Cover | 161C1054AA1 |

| Conduit & Accessories Box Assembly | |
|------------------------------------|-------------|
| Part Description | Part# |
| Conduit Box | 118D4408AD2 |

| Mechanical Accessories | |
|------------------------|-------|
| Part Description | Part# |
| Brake | |
| Tachometer | |

