



GE INDUSTRIAL MOTORS
a **WOLONG** company

Product Technical Information

February 17, 2023

Data shown is for the current revision model #. Ensure your nameplate model # matches.

Model Number:	5KS444DAJ6093
Catalog Number:	V4478
Instruction Manual:	GEI-M1045
Connection Diagram:	GEM2034E-FIG273
Outline Drawing:	148CB44VMJKCCAA0001

Accessory Connection Diagrams

Bearing Thermocouple:	None	Heater:	3027JE-1C
RTD:	None	Thermistor:	None
Thermostat:	None	Winding Thermocouple:	None
Bearing RTD:	None		

Table of Contents

Specification	01
Performance Characteristics	02
Outline Drawing	03
Connection Drawing(s)	04
Spare parts	05

Marks:

MODEL NUMBER:	5KS444DAJ6093	Estimated Weight:	2350 Lbs
Outline Drawing:	148CB44VMJKCCAA0001	Time Rating:	CONT
Connection Diagram:	GEM2034E-FIG273	Enclosure:	WPI
Instruction Book:	GEI-M1045	Encl Construction:	OPEN
Design Code:	44BD1344A	Ambient Max(°C):	40
Type:	KS	Alt Ambient Max(°C):	--
Frame:	L444TP20	Insulation Class:	H
Phases:	3	NEMA Design:	B
Poles:	4	Nominal Efficiency:	95.8 %
Output Power:	150HP 111KW	Guaranteed Efficiency:	95.0 %
RPM:	1780	3/4 Load Efficiency:	--
Voltage:	460/575	KVA Code:	G
Hertz:	60	Max KVAR:	37.2
Amps - FL:	171.0/139.0	Power Factor:	87.0
Service Factor:	1.15	Bearing - DE:	6217C3
Alt Service Factor:	--	Bearing - ODE:	235A2536AB01

Enclosure is Weather Protected One

Stamped Nameplate Notes:

NEMA ENCLOSURE WP-I, CSA ENCL DP
HTR LDS HE1-HE2 115V 145W
ROT CCW FACING ODE LEAD/PH SEQ 1-2-3/1-2-3
INVERTER DUTY PER NEMA MG1 PART 31
ALTERNATE RATING FOR PWM CONTROL:1.0SF 40C AMBIENT
VAR TORQUE RANGE 5-60 HZ
UPPER BRG LUBE OIL: 10.2 QTS
AMB 0 TO 40 DEG C : ISO 32(MINERAL OR SYNTHETIC)
AMB -15 TO 0 DEG C : ISO 32 SYNTHETIC
SUITABLE FOR 125 HP, 380V, 50 HZ WITH
173.0 AMPS AND 1480 RPM AT 1.00 SF



Additional Information:

4P, VERT HOLLOW SHAFT HIGH THRUST (2D)
C/BOX 700 CU IN - 3.00" NPT
OIL RESISTANT SLEEVING ON LEADS
115V HTR LDS TO MAIN CONDUIT BOX
BEARING LIFE 8760 HRS AT 22550 LB THRUST
BEARING LIFE 9630 HRS AT 22000 LB THRUST
CG:22.60 IN FROM P-BASE FACE, STAT DEF:= 0.004 IN
RCF: 3046 CPM
NON-REVERSE BALL CARRIER,
BOLTED COUPLING, BX = 1.688 IN, EW= 0.375 IN
FIRE PUMP MOTOR
ESTIMATED SOUND PRESSURE 83 DBA AT 1 METER



Performance Characteristics

1st Winding 1st Connection

Design: 44BD1344A

Marks:

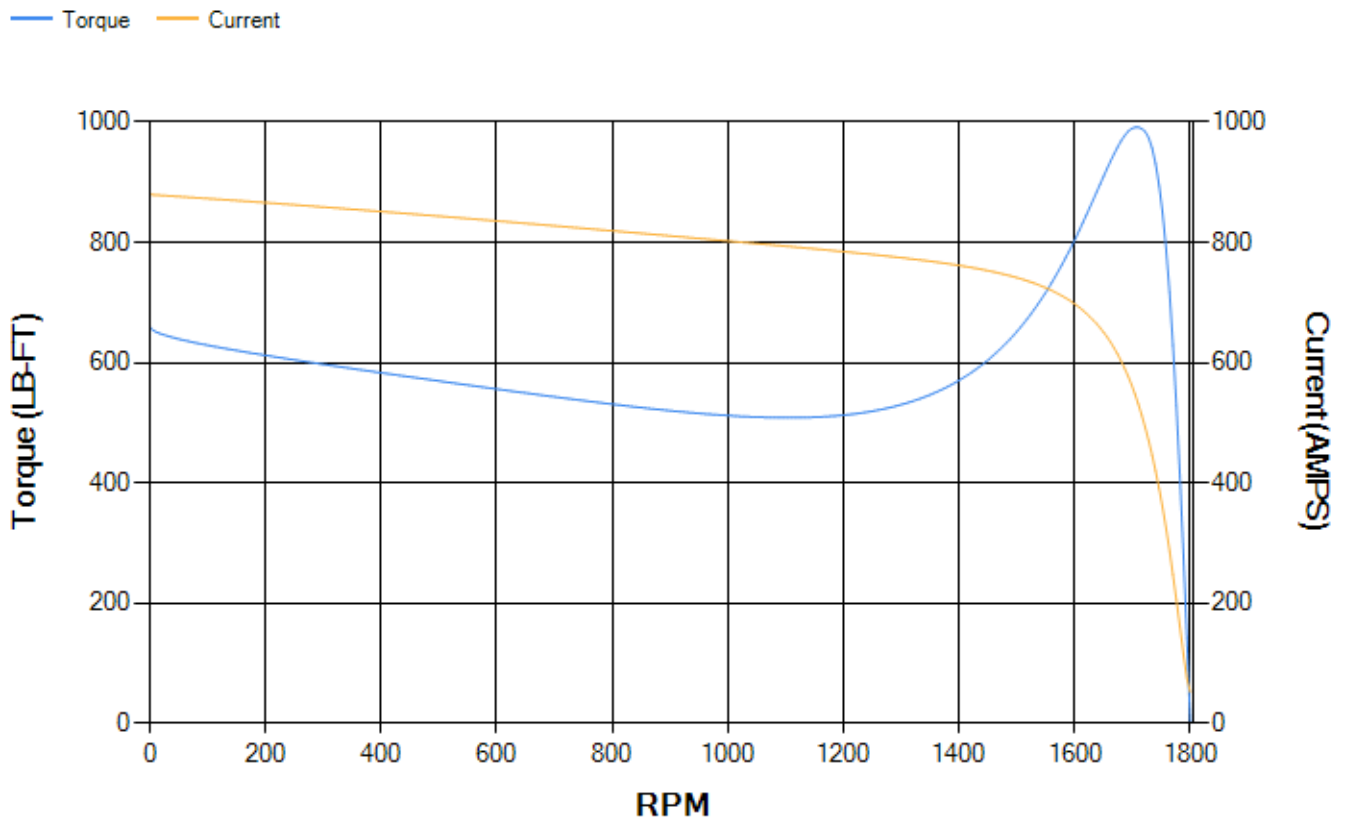
LOAD %	125.0	115.0	100.0	75.0	50.0	25.0	0.0
% EFF	94.07	94.31	94.79	94.77	94.24	91.24	0.00
% PF	87.16	87.18	86.78	84.45	77.62	57.7	5.69
AMPS	214.05	196.37	170.66	131.56	95.95	66.66	51.82

TORQ(FL)#FT	442.38	TORQ(LR)%FL	149.19	TORQ(BD)%FL	223.82
AMPS(LR)	879.62	PF AT START	0.32		

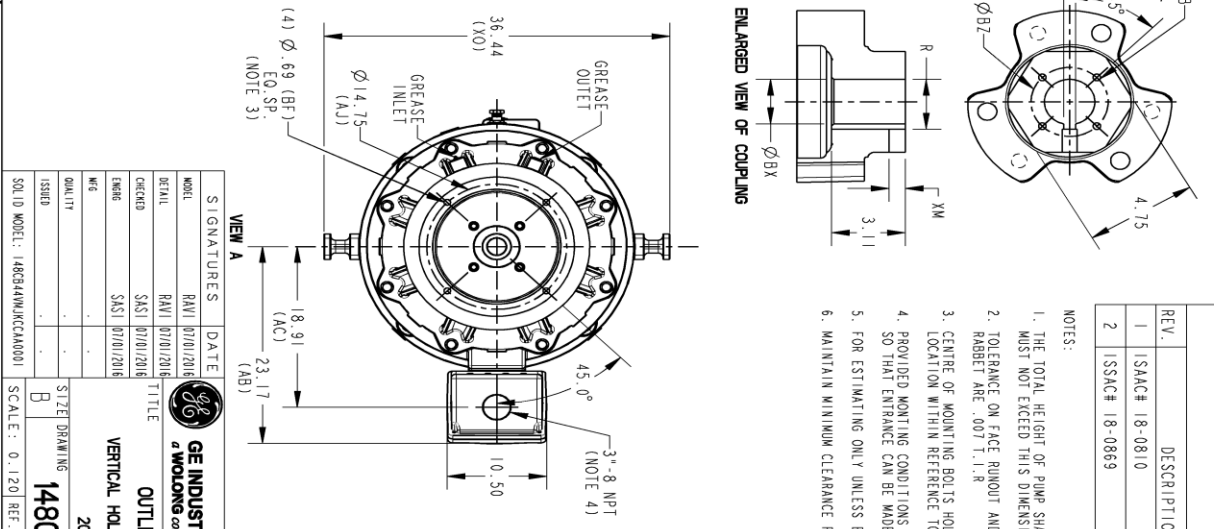
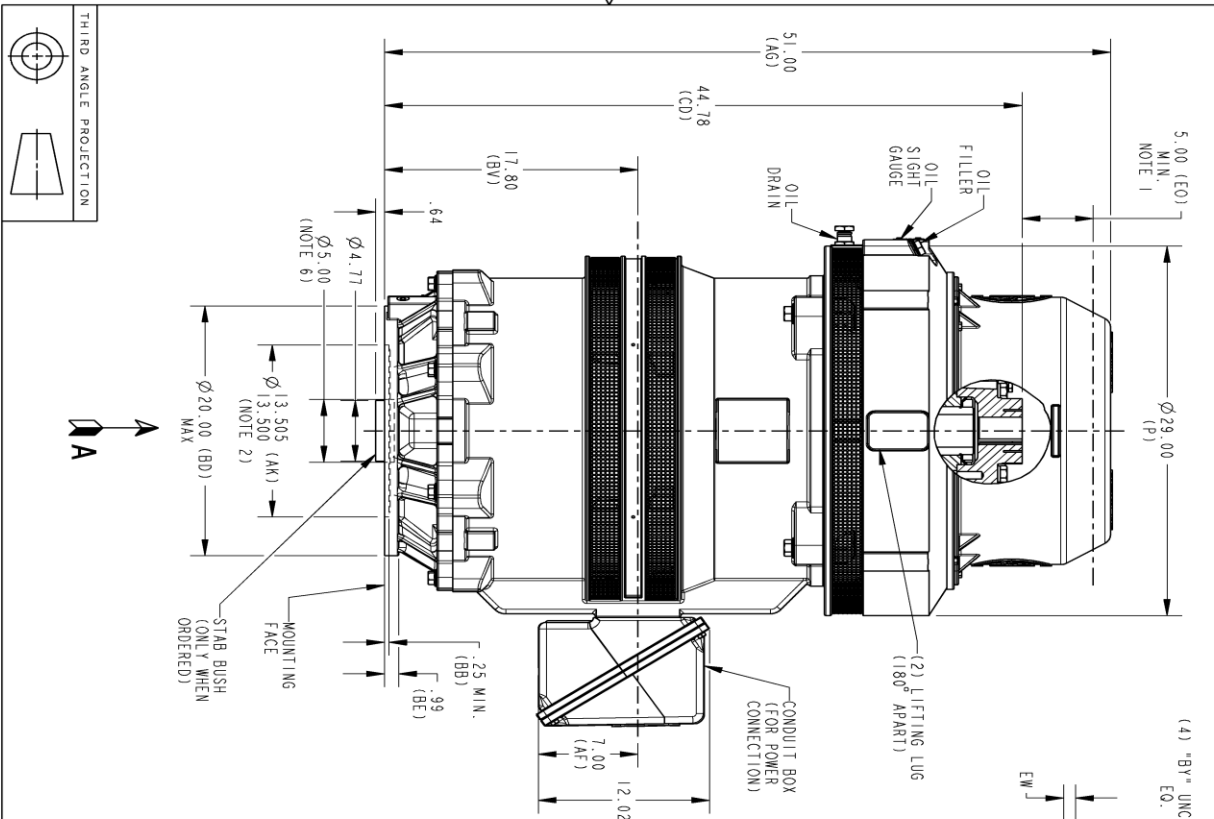
This motor is capable of two cold or one hot start with a maximum connected load inertia of 2302 Lb-Ft Sq (96.91 Kg-meter Sq)at 100% voltage, where the load torque varies with the square of the speed. Acceleration time with maximum inertia and the above load type is 30 seconds. Safe stall time at 100% voltage is 55 seconds cold, 36 seconds hot. Rotor inertia is 50.83 Lb-Ft Sq (2.14 Kg-meter Sq).

Open Circuit A-C:	0.79	Short Circuit D-C:	0.03
Short Circuit A-C:	0.043	X/R Ratio:	11.361
Stator Slots:	72	Rotor Slots:	58

Speed Torque Current Curve (First Connection, First Speed)



Marks:



REVISIONS									
REV.	DESCRIPTION	DATE	APPROVED						
1	ISAC# 18-0810	09/24/18	SAGAR						
2	ISSAC# 18-0869	12/06/18	PRASHANTH						

DIMENSIONS IN INCHES									
NEMA TYPE P BASE									
COUPLING DIMENSIONS									
KEY WAY	BY	BZ	EW	R	XM				
	1.501	1/4-20	2.125	.375	1.659	.562			
	1.688	1/4-20	2.500	.375	1.659	.562			
	1.751	1/4-20	2.500	.375	1.922	.562			
	1.813	1/4-20	2.500	.500	2.033	.688			
	1.938	1/4-20	2.500	.500	2.160	.688			
	2.001	3/8-16	3.250	.500	2.223	.688			
	2.063	3/8-16	3.250	.500	2.287	.688			
	2.126	3/8-16	3.250	.500	2.350	.688			
	2.188	3/8-16	3.250	.500	2.414	.688			
	2.251	3/8-16	3.250	.500	2.477	.688			
	2.316	3/8-16	3.250	.500	2.550	.688			
	2.438	3/8-16	3.250	.625	2.715	.812			
	2.501	3/8-16	3.250	.625	2.777	.812			

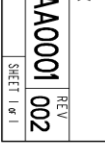
SIGNATURES	DATE	TITLE
RAVI	01/01/2016	DESIGNER
SAJITH	01/01/2016	CHECKER
SAJITH	01/01/2016	ENGINEER
		DRAWN
		ISSUED
		SOLID MODEL: 148CB44VMJKCCA0001

SCALE: 0.120	REF. NO.:	SHEET 1 OF 1
--------------	-----------	--------------

GE INDUSTRIAL MOTORS
a wolong company

OUTLINE, NEMA WPI 444/445
 VERTICAL HOLLOW SHAFT-HIGH THRUST GRS LOWER
 200 BD, 700 CU IN C/BOX

148CB44VMJKCCA0001 002



SIZE DRAWING NO. 148CB44VMJKCCA0001 002

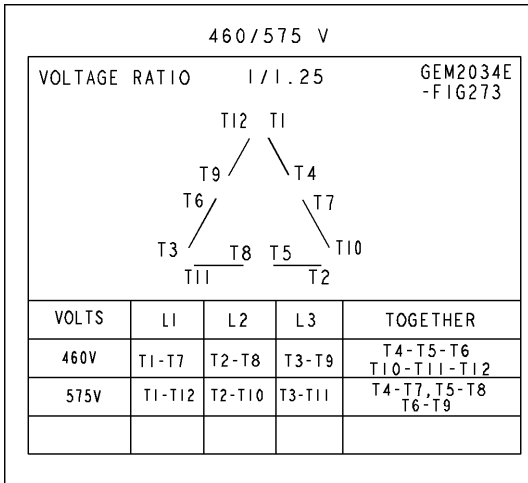
REV. 1

REVISIONS

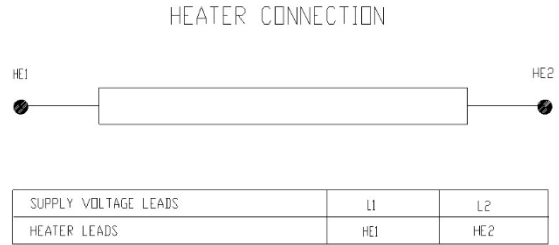
APPROVED

Marks:

Connection Diagram
GEM2034E-FIG273



Heater Connection
3027JE-1C



End shield Assembly		
Part Description	DE Side Part#	ODE Side Part#
End Shield	115E7661AA1	115E7670LM1
Bearing	235A2622AA01	235A2536AB01
Slinger/Inproseal	149C4399G06	

Fan & Fan Cover Assembly	
Part Description	Part#
Fan	
Fan Cover	161C1050AA1

Conduit & Accessories Box Assembly	
Part Description	Part#
Conduit Box	118D4408AD2

Mechanical Accessories	
Part Description	Part#
Brake	
Tachometer	

