



GE INDUSTRIAL MOTORS
a **WOLONG** company

Product Technical Information

February 17, 2023

Data shown is for the current revision model #. Ensure your nameplate model # matches.

Model Number:	5KS444DAJ6094
Catalog Number:	V4479
Instruction Manual:	GEI-M1045
Connection Diagram:	GEM2034E-FIG273
Outline Drawing:	148CB44VMJKCCAA0001

Accessory Connection Diagrams

Bearing Thermocouple:	None	Heater:	3027JE-1C
RTD:	None	Thermistor:	None
Thermostat:	None	Winding Thermocouple:	None
Bearing RTD:	None		

Table of Contents

Specification	01
Performance Characteristics	02
Outline Drawing	03
Connection Drawing(s)	04
Spare parts	05

Marks:

MODEL NUMBER:	5KS444DAJ6094	Estimated Weight:	2350 Lbs
Outline Drawing:	148CB44VMJKCCAA0001	Time Rating:	CONT
Connection Diagram:	GEM2034E-FIG273	Enclosure:	WPI
Instruction Book:	GEI-M1045	Encl Construction:	OPEN
Design Code:	44BD1344A	Ambient Max(°C):	40
Type:	KS	Alt Ambient Max(°C):	--
Frame:	L444TP20	Insulation Class:	H
Phases:	3	NEMA Design:	B
Poles:	4	Nominal Efficiency:	95.8 %
Output Power:	150HP 111KW	Guaranteed Efficiency:	95.0 %
RPM:	1780	3/4 Load Efficiency:	--
Voltage:	460/575	KVA Code:	G
Hertz:	60	Max KVAR:	37.2
Amps - FL:	171.0/139.0	Power Factor:	87.0
Service Factor:	1.15	Bearing - DE:	6217C3
Alt Service Factor:	--	Bearing - ODE:	235A2536AB01

Enclosure is Weather Protected One

Stamped Nameplate Notes:

NEMA ENCLOSURE WP-I, CSA ENCL DP
 HTR LDS HE1-HE2 115V 145W
 ROT CCW FACING ODE LEAD/PH SEQ 1-2-3/1-2-3
 INVERTER DUTY PER NEMA MG1 PART 31
 ALTERNATE RATING FOR PWM CONTROL:1.0SF 40C AMBIENT
 VAR TORQUE RANGE 5 -60 HZ
 UPPER BRG LUBE OIL: 10.2 QTS
 AMB 0 TO 40 DEG C : ISO 32(MINERAL OR SYNTHETIC)
 AMB -15 TO 0 DEG C : ISO 32 SYNTHETIC
 SUITABLE FOR 125 HP, 380V, 50 HZ WITH
 173.0 AMPS AND 1480 RPM AT 1.00 SF



Additional Information:

4P, VERT HOLLOW SHAFT HIGH THRUST (2D)
C/BOX 700 CU IN - 3.00" NPT
OIL RESISTANT SLEEVING ON LEADS
115V HTR LDS TO MAIN CONDUIT BOX
BEARING LIFE 8760 HRS AT 22550 LB THRUST
BEARING LIFE 9630 HRS AT 22000 LB THRUST
CG:22.60 IN FROM P-BASE FACE, STAT DEF:= 0.004 IN
RCF: 3046 CPM
NON-REVERSE BALL CARRIER,
BOLTED COUPLING, BX = 1.938 IN, EW= 0.500 IN
FIRE PUMP MOTOR
ESTIMATED SOUND PRESSURE 83 DBA AT 1 METER



Performance Characteristics

1st Winding 1st Connection

Design: 44BD1344A

Marks:

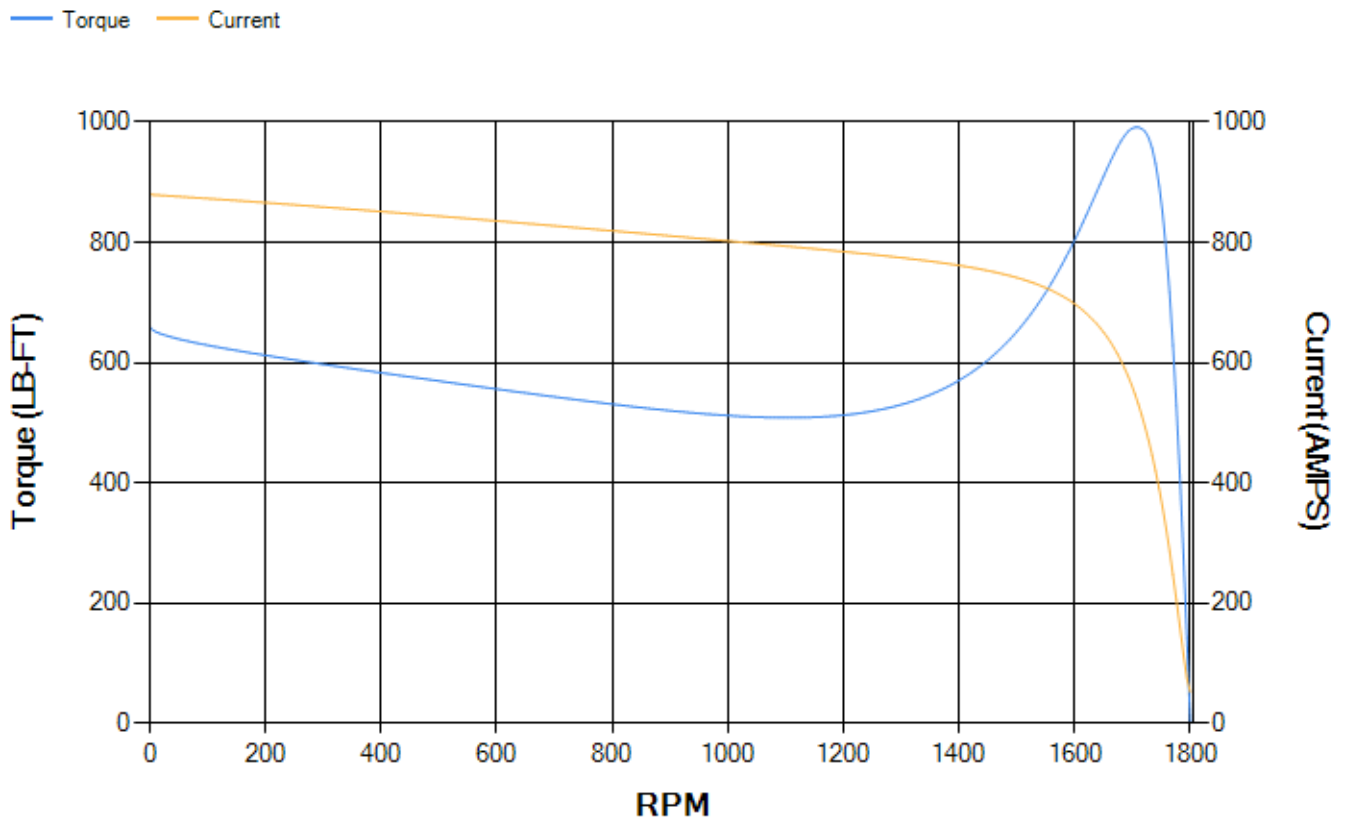
LOAD %	125.0	115.0	100.0	75.0	50.0	25.0	0.0
% EFF	94.07	94.31	94.79	94.77	94.24	91.24	0.00
% PF	87.16	87.18	86.78	84.45	77.62	57.7	5.69
AMPS	214.05	196.37	170.66	131.56	95.95	66.66	51.82

TORQ(FL)#FT	442.38	TORQ(LR)%FL	149.19	TORQ(BD)%FL	223.82
AMPS(LR)	879.62	PF AT START	0.32		

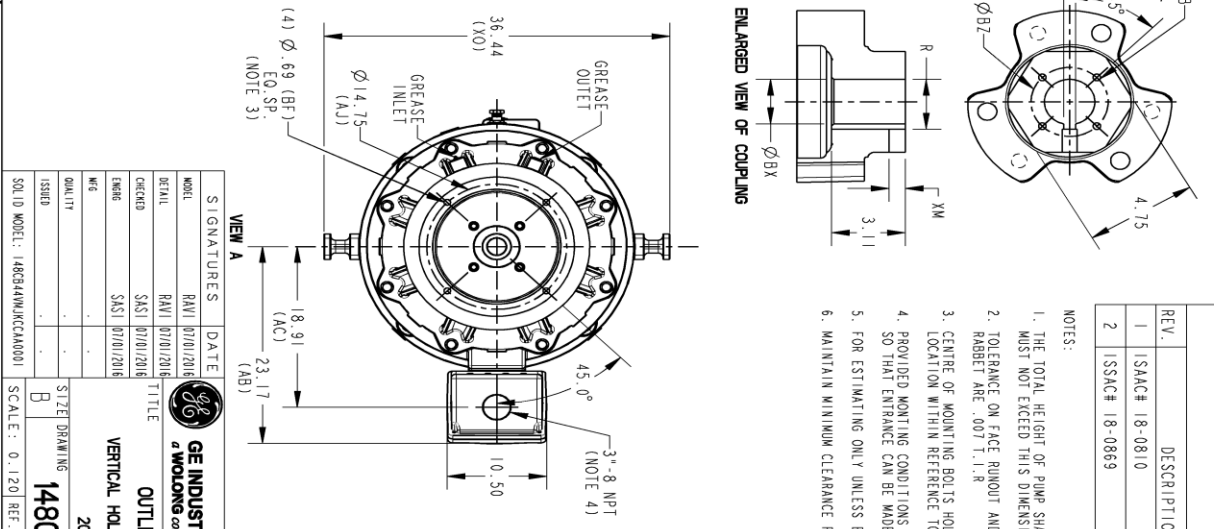
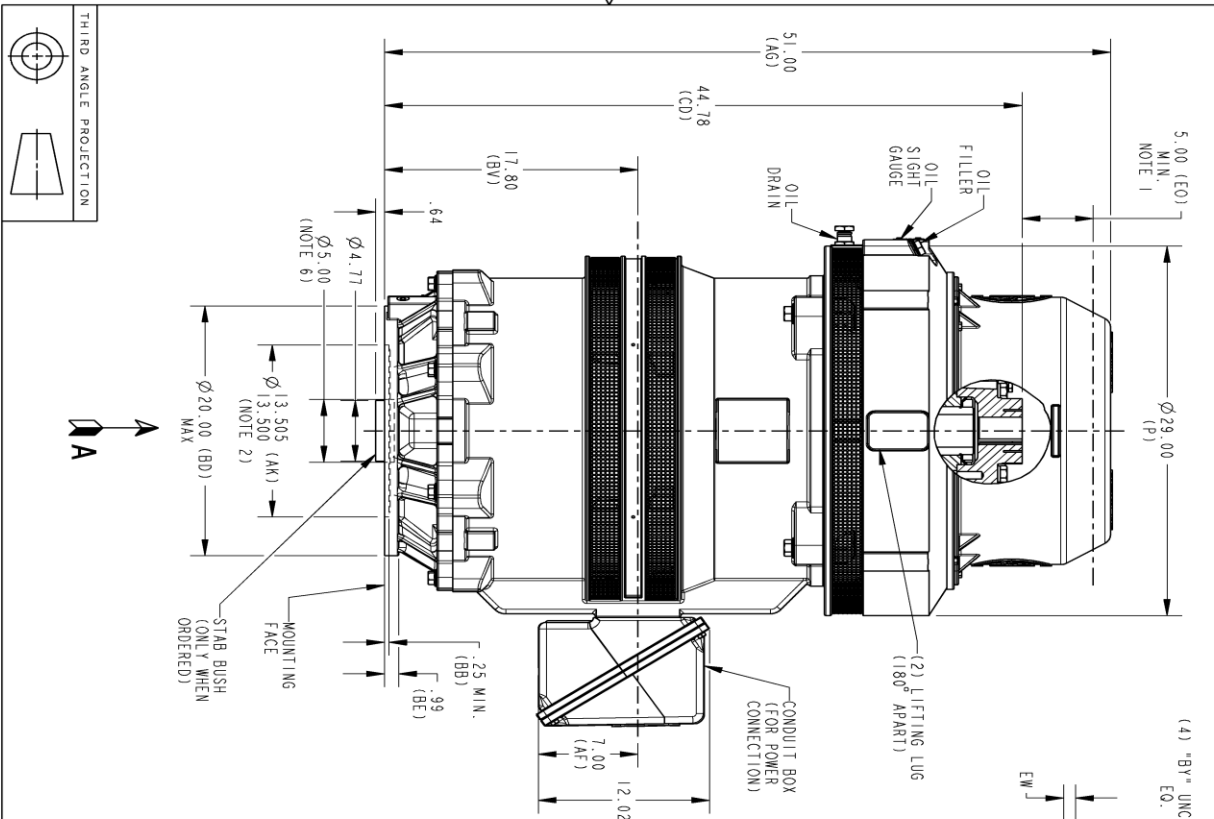
This motor is capable of two cold or one hot start with a maximum connected load inertia of 2302 Lb-Ft Sq (96.91 Kg-meter Sq) at 100% voltage, where the load torque varies with the square of the speed. Acceleration time with maximum inertia and the above load type is 30 seconds. Safe stall time at 100% voltage is 55 seconds cold, 36 seconds hot. Rotor inertia is 50.83 Lb-Ft Sq (2.14 Kg-meter Sq).

Open Circuit A-C:	0.79	Short Circuit D-C:	0.03
Short Circuit A-C:	0.043	X/R Ratio:	11.361
Stator Slots:	72	Rotor Slots:	58

Speed Torque Current Curve (First Connection, First Speed)



Marks:



REVISIONS

REV.	DESCRIPTION	DATE	APPROVED
1	ISAC# 18-0810	09/24/18	SAGAR
2	ISSAC# 18-0869	12/06/18	PRASHANTH

NOTES:

- THE TOTAL HEIGHT OF PUMP SHAFT AND LOCKING NUT ABOVE COUPLING MUST NOT EXCEED THIS DIMENSION.
- TOLERANCE ON FACE ROUNDT AND PERMISSIBLE ECCENTRICITY OF MOUNTING RABBIT ARE .007 T. I. R
- CENTRE OF MOUNTING BOLTS HOLES WITHIN 0.025 OF ANGULAR & DIAMETRICAL LOCATION WITHIN REFERENCE TO THE CENTRELINE OF MOUNTING RABBIT.
- PROVIDED MONTING CONDITIONS PERMIT, CONDUIT BOX MAY BE TURNED SO THAT ENTRANCE CAN BE MADE UPWARD, DOWNWARD OR FROM EITHER SIDE.
- FOR ESTIMATING ONLY UNLESS ENDORSED FOR CONSTRUCTION.
- MAINTAIN MINIMUM CLEARANCE FOR SHAFT SLINGER.

DIMENSIONS IN INCHES
 NEMA TYPE P BASE

COUPLING DIMENSIONS				KEY WAY			
BY	B7	EW	R	XM			
1.501	1/4-20	2.125	.315	1.659	.562		
1.688	1/4-20	2.500	.315	1.659	.562		
1.751	1/4-20	2.500	.315	1.922	.562		
1.813	1/4-20	2.500	.500	2.033	.688		
1.938	1/4-20	2.500	.500	2.160	.688		
2.001	3/8-16	3.250	.500	2.223	.688		
2.063	3/8-16	3.250	.500	2.287	.688		
2.126	3/8-16	3.250	.500	2.350	.688		
2.188	3/8-16	3.250	.500	2.414	.688		
2.251	3/8-16	3.250	.500	2.477	.688		
2.316	3/8-16	3.250	.500	2.550	.688		
2.438	3/8-16	3.250	.625	2.715	.812		
2.501	3/8-16	3.250	.625	2.777	.812		

THIRD ANGLE PROJECTION

SIZE DRAWING NO. **148CB44VMJKCCAA0001** REV. **002**

SIGNATURES

MODEL	DATE	SIGNATURES
148CB44VMJKCCAA0001	01/01/2016	RAVI
	01/01/2016	RAVI
	01/01/2016	SASI
	01/01/2016	SASI
		ENG
		DESIGN
		DRAWING
		ISSUED
		SOLID MODEL

GE INDUSTRIAL MOTORS
a wolong company

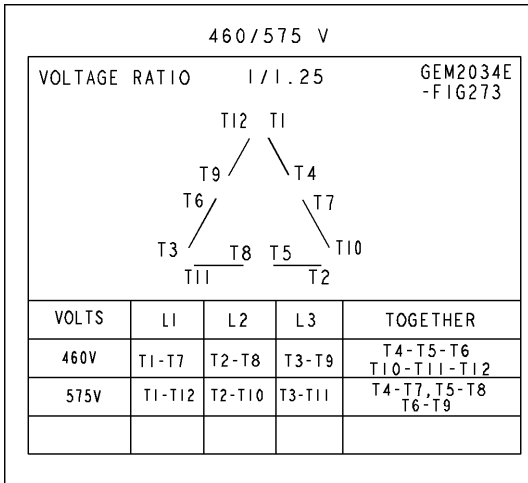
OUTLINE, NEMA WPI 444/445
VERTICAL HOLLOW SHAFT-HIGH THRUST GRS LOWER
 200 BD, 700 CU, IN C/BOX

SCALE: 0.120 REF. NO. **148CB44VMJKCCAA0001** REV. **002**

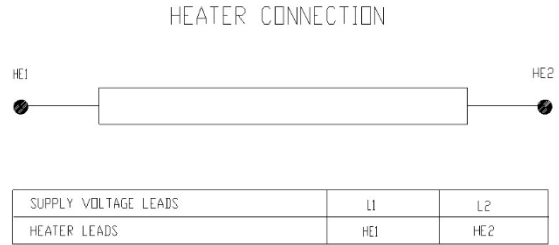
SHEET 1 OF 1

Marks:

Connection Diagram
GEM2034E-FIG273



Heater Connection
3027JE-1C



End shield Assembly		
Part Description	DE Side Part#	ODE Side Part#
End Shield	115E7661AA1	115E7670LM1
Bearing	235A2622AA01	235A2536AB01
Slinger/Inproseal	149C4399G06	

Fan & Fan Cover Assembly	
Part Description	Part#
Fan	
Fan Cover	161C1050AA1

Conduit & Accessories Box Assembly	
Part Description	Part#
Conduit Box	118D4408AD2

Mechanical Accessories	
Part Description	Part#
Brake	
Tachometer	

