



GE INDUSTRIAL MOTORS
a **WOLONG** company

Product Technical Information

February 17, 2023

Data shown is for the current revision model #. Ensure your nameplate model # matches.

Model Number:	5KS445DAJ6088
Catalog Number:	V4484
Instruction Manual:	GEI-M1045
Connection Diagram:	GEM2034E-FIG273
Outline Drawing:	148CB44VMJKLGAA0001

Accessory Connection Diagrams

Bearing Thermocouple:	None	Heater:	3027JE-1C
RTD:	None	Thermistor:	None
Thermostat:	None	Winding Thermocouple:	None
Bearing RTD:	None		

Table of Contents

Specification	01
Performance Characteristics	02
Outline Drawing	03
Connection Drawing(s)	04
Spare parts	05

Marks:

MODEL NUMBER:	5KS445DAJ6088	Estimated Weight:	2530 Lbs
Outline Drawing:	148CB44VMJKLGAA0001	Time Rating:	CONT
Connection Diagram:	GEM2034E-FIG273	Enclosure:	WPI
Instruction Book:	GEI-M1045	Encl Construction:	OPEN
Design Code:	44BD1343A	Ambient Max(°C):	40
Type:	KS	Alt Ambient Max(°C):	--
Frame:	L445TP20	Insulation Class:	H
Phases:	3	NEMA Design:	B
Poles:	4	Nominal Efficiency:	95.8 %
Output Power:	250HP 185KW	Guaranteed Efficiency:	95.0 %
RPM:	1775	3/4 Load Efficiency:	--
Voltage:	460/575	KVA Code:	G
Hertz:	60	Max KVAR:	58.7
Amps - FL:	281.0/229.0	Power Factor:	87.5
Service Factor:	1.15	Bearing - DE:	6217C3
Alt Service Factor:	--	Bearing - ODE:	235A2536AB01

Enclosure is Weather Protected One

Stamped Nameplate Notes:

NEMA ENCLOSURE WP-I, CSA ENCL DP
HTR LDS HE1-HE2 115V 145W
ROT CCW FACING ODE LEAD/PH SEQ 1-2-3/1-2-3
INVERTER DUTY PER NEMA MG1 PART 31
ALTERNATE RATING FOR PWM CONTROL:1.0SF 40C AMBIENT
VAR TORQUE RANGE 5-60 HZ
UPPER BRG LUBE OIL: 10.2 QTS
AMB 0 TO 40 DEG C : ISO 32(MINERAL OR SYNTHETIC)
AMB -15 TO 0 DEG C : ISO 32 SYNTHETIC
SUITABLE FOR 200 HP, 380V, 50 HZ WITH
274.0 AMPS AND 1480 RPM AT 1.00 SF



Additional Information:

4P, VERT HOLLOW SHAFT HIGH THRUST (2D)
C/BOX 1260 CU IN - 2(4.00" NPT)
C/B GRD PLATE
OIL RESISTANT SLEEVING ON LEADS
115V HTR LDS TO MAIN CONDUIT BOX
BEARING LIFE 8760 HRS AT 22500 LB THRUST
BEARING LIFE 9630 HRS AT 22000 LB THRUST
CG:22.60 IN FROM P-BASE FACE, STAT DEF:= 0.004 IN
RCF: 2923 CPM
NON-REVERSE BALL CARRIER,
BOLTED COUPLING, BX = 1.688 IN, EW= 0.375 IN
FIRE PUMP MOTOR
ESTIMATED SOUND PRESSURE 83 DBA AT 1 METER



Performance Characteristics

1st Winding 1st Connection

Design: 44BD1343A

Marks:

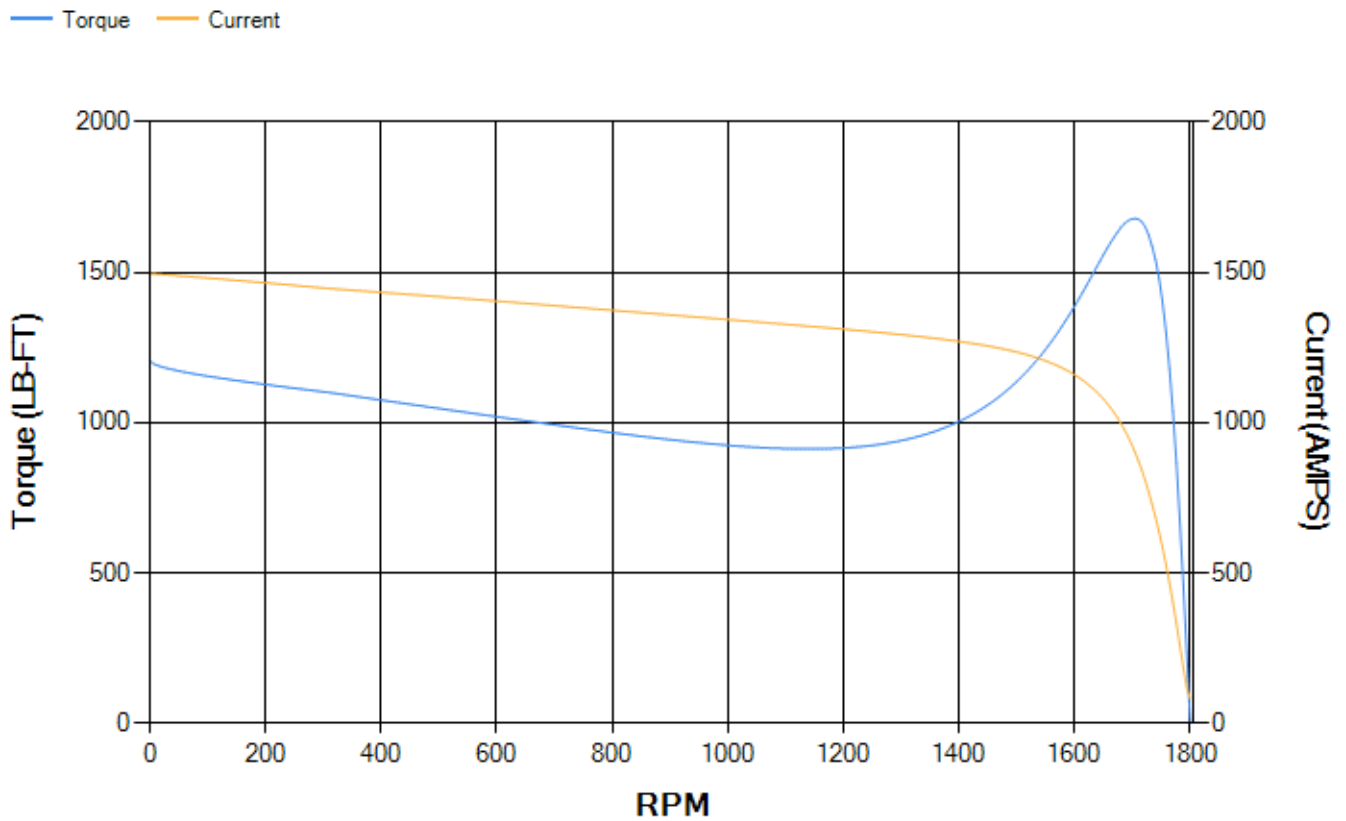
LOAD %	125.0	115.0	100.0	75.0	50.0	25.0	0.0
% EFF	94.33	94.64	95.22	95.43	95.3	93.31	0.00
% PF	87.64	87.71	87.41	85.29	78.79	58.91	4.27
AMPS	353.78	324.16	281.1	215.6	155.81	106.41	81.82

TORQ(FL)#FT	738.43	TORQ(LR)%FL	163.57	TORQ(BD)%FL	227
AMPS(LR)	1496.2	PF AT START	0.33		

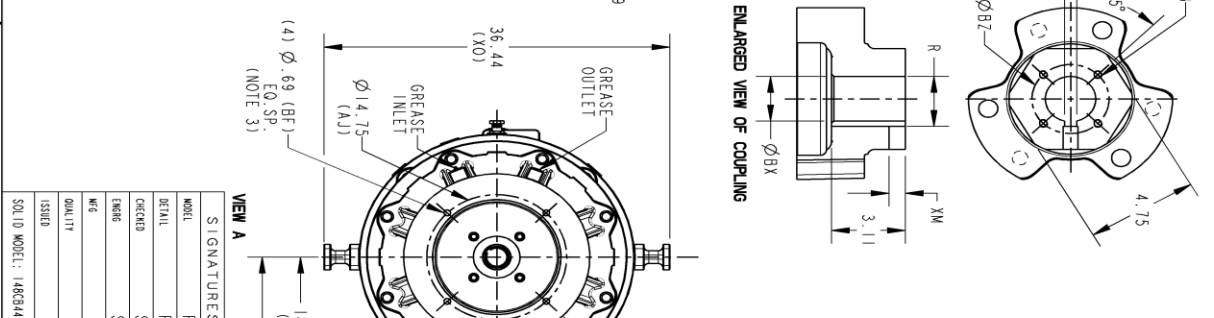
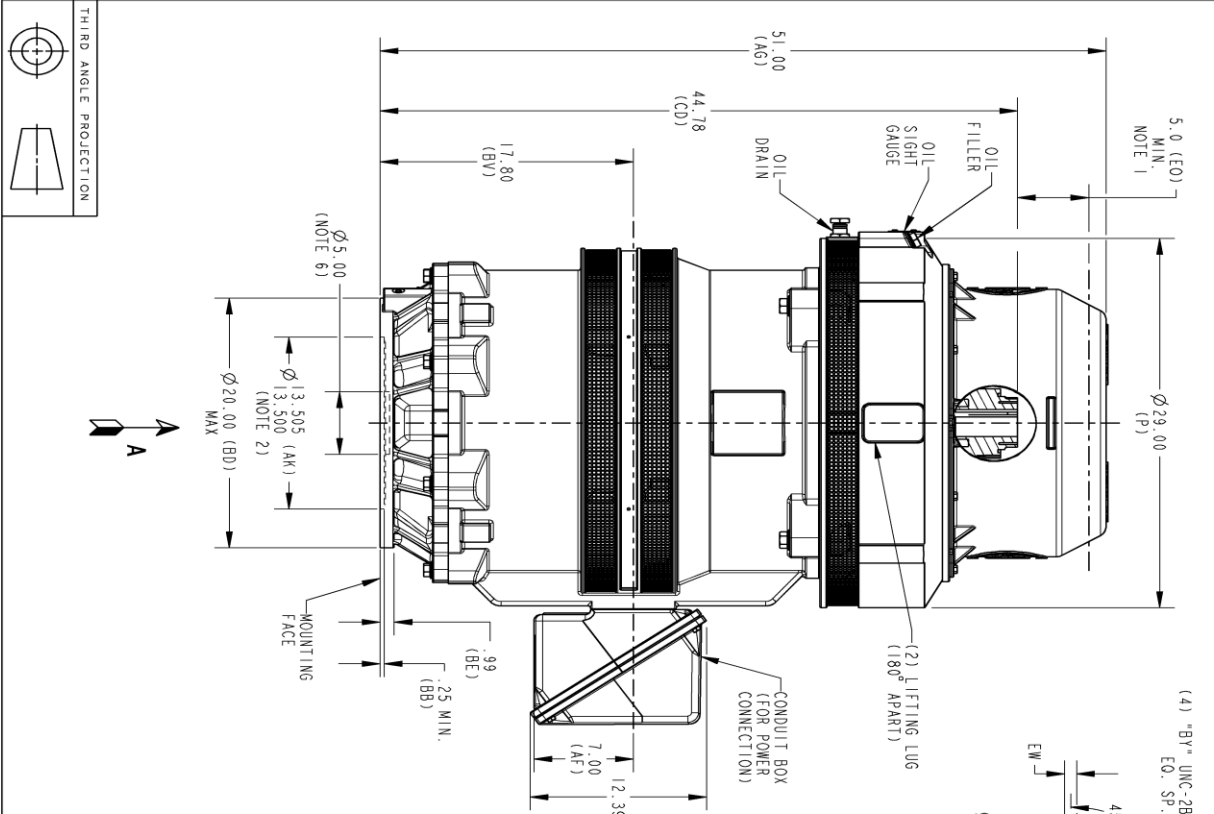
This motor is capable of two cold or one hot start with a maximum connected load inertia of 2277 Lb-Ft Sq (95.86 Kg-meter Sq)at 100% voltage, where the load torque varies with the square of the speed. Acceleration time with maximum inertia and the above load type is 16 seconds. Safe stall time at 100% voltage is 40 seconds cold, 20 seconds hot. Rotor inertia is 67.77 Lb-Ft Sq (2.85 Kg-meter Sq).

Open Circuit A-C:	0.727	Short Circuit D-C:	0.029
Short Circuit A-C:	0.036	X/R Ratio:	11.031
Stator Slots:	72	Rotor Slots:	58

Speed Torque Current Curve (First Connection, First Speed)



Marks:



REV.	DESCRIPTION	DATE	APPROVED
1	ISSAC# 18-0869	12/28/18	PRASHANTH
2	ISSAC# 19-0280	03/20/19	ANIL

REVISONS

REV: 002

SHEET 1

SIZE DRAWING NO. B 148CB44VMJKLGA0001

NOTES:

1. THE TOTAL HEIGHT OF PUMP SHAFT AND LOCKING NUT ABOVE COUPLING MUST NOT EXCEED THIS DIMENSION.
2. TOLERANCE ON FACE ROUNDOFF AND PERMISSIBLE ECCENTRICITY OF MOUNTING RABBET ARE .007 T.1.R
3. CENTRE OF MOUNTING BOLTS WITHIN 0.025 OF ANGULAR & DIAMETRICAL LOCATION WITHIN REFERENCE TO THE CENTRILINE OF MOUNTING RABBET.
4. PROVIDED MOUNTING CONDITIONS PERMIT, CONDUIT BOX MAY BE TURNED SO THAT ENTRANCE CAN BE MADE UPWARD, DOWNWARD OR FROM EITHER SIDE.
5. FOR ESTIMATING ONLY UNLESS ENDORSED FOR CONSTRUCTION.
6. MAINTAIN MINIMUM CLEARANCE FOR SHAFT SLINGER.

DIMENSIONS IN INCHES
NEMA TYPE P BASE

COUPLING DIMENSIONS		KEY WAY			
BX	BY	BZ	EW	R	XW
1.501	1/4-20	2.125	.315	1.669	.562
1.688	1/4-20	2.500	.315	1.859	.562
1.751	1/4-20	2.500	.315	1.922	.562
1.813	1/4-20	2.500	.500	2.033	.688
1.938	1/4-20	2.500	.500	2.160	.688
2.001	3/8-16	3.250	.500	2.223	.688
2.063	3/8-16	3.250	.500	2.287	.688
2.126	3/8-16	3.250	.500	2.350	.688
2.188	3/8-16	3.250	.500	2.414	.688
2.251	3/8-16	3.250	.500	2.477	.688
2.316	3/8-16	3.250	.500	2.551	.688
2.438	3/8-16	3.250	.625	2.715	.812
2.501	3/8-16	3.250	.625	2.778	.812

SIGNATURES

DATE

MODEL: 148CB44VMJKLGA0001

SCALE: 0.120 REF. NO.

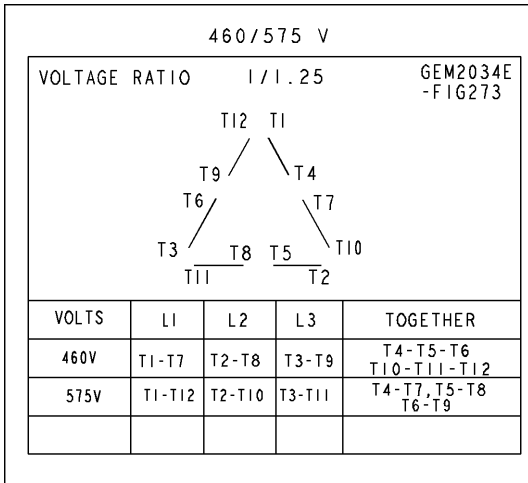
SHEET 1

GE INDUSTRIAL MOTORS
a WOLONG company

OUTLINE, NEMA WPI 444/445
VERTICAL HOLLOW SHAFT, HIGH THRUST GR5 LOWER
200 BD, 1260 CL IN C/BOX

Marks:

Connection Diagram
GEM2034E-FIG273



Heater Connection
3027JE-1C



End shield Assembly		
Part Description	DE Side Part#	ODE Side Part#
End Shield	115E7661AA1	115E7670LM1
Bearing	235A2622AA01	235A2536AB01
Slinger/Inproseal	149C4399G06	

Fan & Fan Cover Assembly	
Part Description	Part#
Fan	
Fan Cover	161C1050AA1

Conduit & Accessories Box Assembly	
Part Description	Part#
Conduit Box	179B9058G03

Mechanical Accessories	
Part Description	Part#
Brake	
Tachometer	

