



GE INDUSTRIAL MOTORS
a **WOLONG** company

Product Technical Information

February 17, 2023

Data shown is for the current revision model #. Ensure your nameplate model # matches.

Model Number:	5KS447DAJ6062
Catalog Number:	V4486
Instruction Manual:	GEI-M1045
Connection Diagram:	GEM2034E-FIG273
Outline Drawing:	148CB49VMJKLGAA0001

Accessory Connection Diagrams

Bearing Thermocouple:	None	Heater:	3027JE-1C
RTD:	None	Thermistor:	None
Thermostat:	None	Winding Thermocouple:	None
Bearing RTD:	None		

Table of Contents

Specification	01
Performance Characteristics	02
Outline Drawing	03
Connection Drawing(s)	04
Spare parts	05

Marks:

MODEL NUMBER:	5KS447DAJ6062	Estimated Weight:	2910 Lbs
Outline Drawing:	148CB49VMJKLGAA0001	Time Rating:	CONT
Connection Diagram:	GEM2034E-FIG273	Enclosure:	WPI
Instruction Book:	GEI-M1045	Encl Construction:	OPEN
Design Code:	49BD1516A	Ambient Max(°C):	40
Type:	KS	Alt Ambient Max(°C):	--
Frame:	L447TP20	Insulation Class:	H
Phases:	3	NEMA Design:	B
Poles:	4	Nominal Efficiency:	95.8 %
Output Power:	300HP 222KW	Guaranteed Efficiency:	95.0 %
RPM:	1790	3/4 Load Efficiency:	--
Voltage:	460/575	KVA Code:	G
Hertz:	60	Max KVAR:	66.1
Amps - FL:	338/277	Power Factor:	87.0
Service Factor:	1.15	Bearing - DE:	6217C3
Alt Service Factor:	--	Bearing - ODE:	235A2536AB01

Enclosure is Weather Protected One

Stamped Nameplate Notes:

NEMA ENCLOSURE WP-I, CSA ENCL DP
HTR LDS HE1-HE2 115V 145W
ROT CCW FACING ODE LEAD/PH SEQ 1-2-3/1-2-3
INVERTER DUTY PER NEMA MG1 PART 31
ALTERNATE RATING FOR PWM CONTROL:1.0SF 40C AMBIENT
VAR TORQUE RANGE 5 -60 HZ
UPPER BRG LUBE OIL: 10.2 QTS
AMB 0 TO 40 DEG C : ISO 32(MINERAL OR SYNTHETIC)
AMB -15 TO 0 DEG C : ISO 32 SYNTHETIC
SUITABLE FOR 250 HP, 380V, 50 HZ WITH
341.0 AMPS AND 1490 RPM AT 1.00 SF



Additional Information:

4P, VERT HOLLOW SHAFT HIGH THRUST (2D)
C/BOX 1260 CU IN - 2(4.00" NPT)
C/B GRD PLATE
OIL RESISTANT SLEEVING ON LEADS
115V HTR LDS TO MAIN CONDUIT BOX
BEARING LIFE 8760 HRS AT 22276 LB THRUST
BEARING LIFE 9198 HRS AT 22000 LB THRUST
CG:25.10 IN FROM P-BASE FACE, STAT DEF:= 0.005 IN
RCF: 2663 CPM
NON-REVERSE BALL CARRIER,
BOLTED COUPLING, BX = 1.688 IN, EW= 0.375 IN
FIRE PUMP MOTOR
ESTIMATED SOUND PRESSURE 90.8 DBA AT 1 METER



Performance Characteristics

1st Winding 1st Connection

Design: 49BD1516A

Marks:

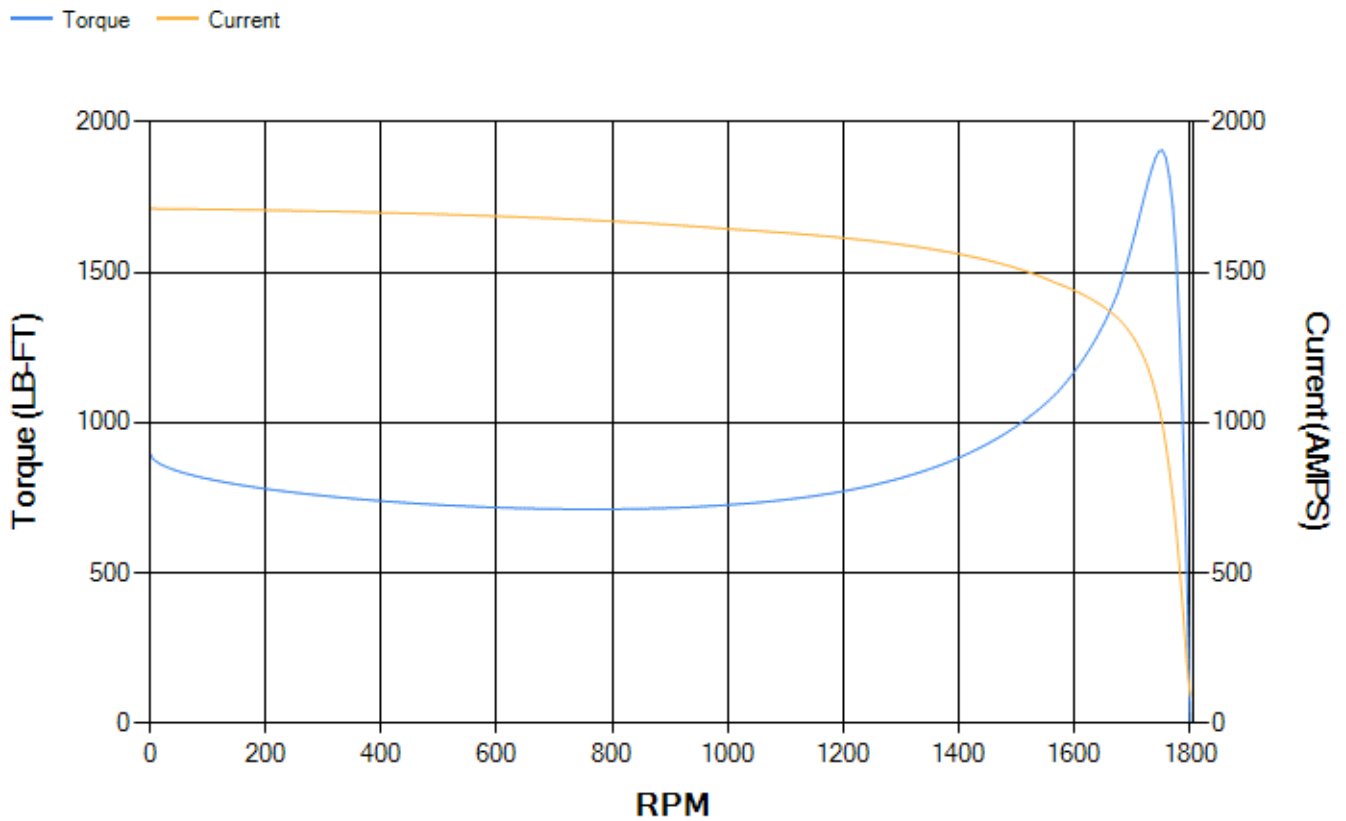
LOAD %	125.0	115.0	100.0	75.0	50.0	25.0	0.0
% EFF	94.79	95.04	95.53	95.56	95.2	92.81	0.00
% PF	86.76	87.03	87.01	85.4	79.68	61.03	5.13
AMPS	426.75	390.39	337.8	258.03	185.07	123.94	92.12

TORQ(FL)#FT	880.51	TORQ(LR)%FL	102.27	TORQ(BD)%FL	216.48
AMPS(LR)	1712.17	PF AT START	0.22		

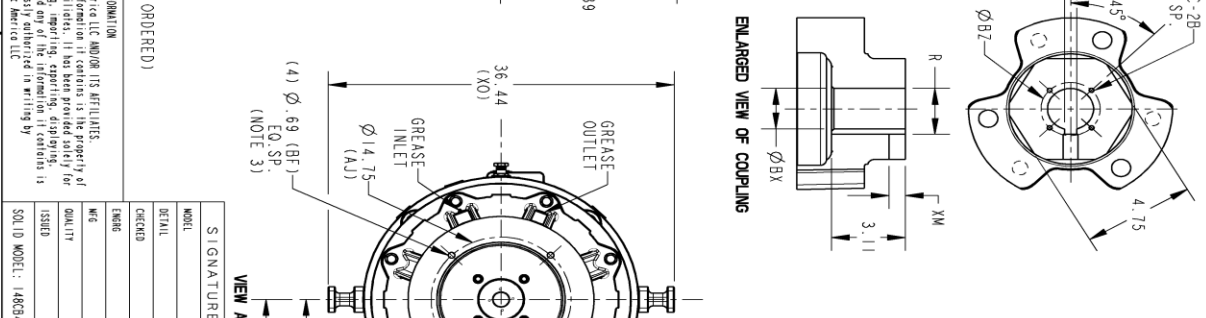
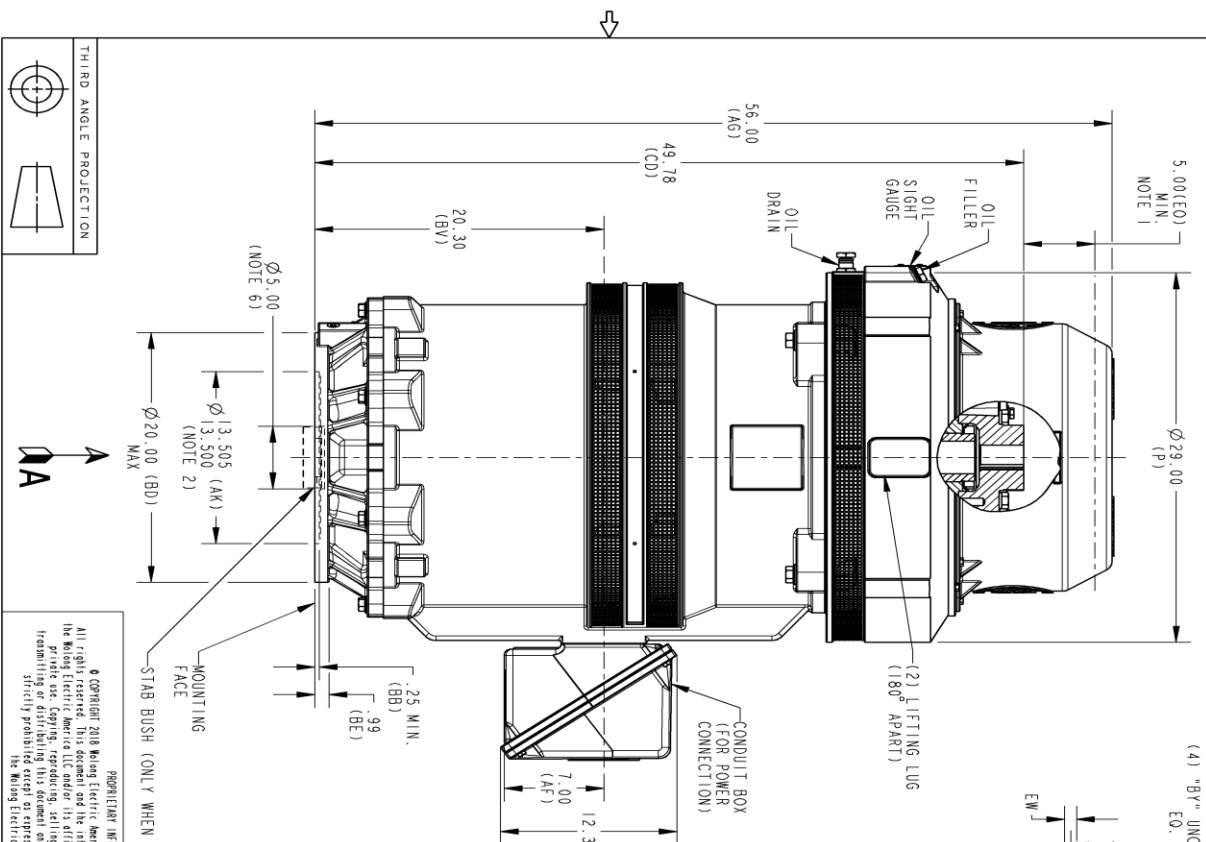
This motor is capable of two cold or one hot start with a maximum connected load inertia of 7296 Lb-Ft Sq (307.16 Kg-meter Sq)at 100% voltage, where the load torque varies with the square of the speed. Acceleration time with maximum inertia and the above load type is 76 seconds. Safe stall time at 100% voltage is 137 seconds cold, 91 seconds hot. Rotor inertia is 94.88 Lb-Ft Sq (3.99 Kg-meter Sq).

Open Circuit A-C:	1.576	Short Circuit D-C:	0.037
Short Circuit A-C:	0.077	X/R Ratio:	13.991
Stator Slots:	72	Rotor Slots:	58

Speed Torque Current Curve (First Connection, First Speed)



Marks:



REV.	DESCRIPTION	DATE	APPROVED
1	ISAC #18-0869	12/11/18	PRASHANTH SREDEVI
2	ISAC #19-0869	11/19/19	BARATH HARI KRAN
3	ISAC #20-0136	02/17/20	KI SHORE DEEPA MANI
4	C/B HOLE DETAIL UPDATED	10/07/20	DEEPA MANI

COUPLING DIMENSIONS	KEY WAY				
BY	BZ	EW	R	XM	
1.501	1/4-20	2.125	.315	1.669	.562
1.688	1/4-20	2.500	.375	1.859	.562
1.751	1/4-20	2.500	.375	1.922	.562
1.813	1/4-20	2.500	.500	2.033	.688
1.938	1/4-20	2.500	.500	2.160	.688
2.001	3/8-16	3.250	.500	2.223	.688
2.063	3/8-16	3.250	.500	2.287	.688
2.126	3/8-16	3.250	.500	2.350	.688
2.188	3/8-16	3.250	.500	2.414	.688
2.251	3/8-16	3.250	.500	2.477	.688
2.316	3/8-16	3.250	.500	2.541	.688
2.438	3/8-16	3.250	.625	2.715	.812
2.501	3/8-16	3.250	.625	2.778	.812

NOTES:

1. THE TOTAL HEIGHT OF PUMP SHAFT AND LOCKING NUT ABOVE COUPLING MUST NOT EXCEED THIS DIMENSION.
2. TOLERANCE ON FACE RUNOUT AND PERMISSIBLE ECCENTRICITY OF MOUNTING RABBET ARE .007 T. I. R
3. CENTRE OF MOUNTING BOLTS WITHIN 0.025 OF ANGULAR & DIMETRICAL LOCATION WITHIN REFERENCE TO THE CENTRELINE OF MOUNTING RABBET.
4. PROVIDED MOUNTING CONDITIONS PERMIT, CONDUIT BOX MAY BE TURNED SO THAT ENTRANCE CAN BE MADE UPWARD, DOWNWARD OR FROM EITHER SIDE.
5. FOR ESTIMATING ONLY UNLESS ENDORSED FOR CONSTRUCTION.
6. MAINTAIN MINIMUM CLEARANCE FOR SHAFT SLINGER / STABILIZER BUSHING.

PROPRIETARY INFORMATION

© COPYRIGHT 2018 Wabco Electric America LLC AND/OR ITS AFFILIATES. All rights reserved. This document and its information, its contents, is the property of the Wabco Electric America LLC and/or its affiliates. It has been provided solely for the private use. Copying, reproducing, selling, importing, exporting, displaying, transmitting or distributing this document and any of the information it contains is strictly prohibited. The Wabco Electric America LLC.

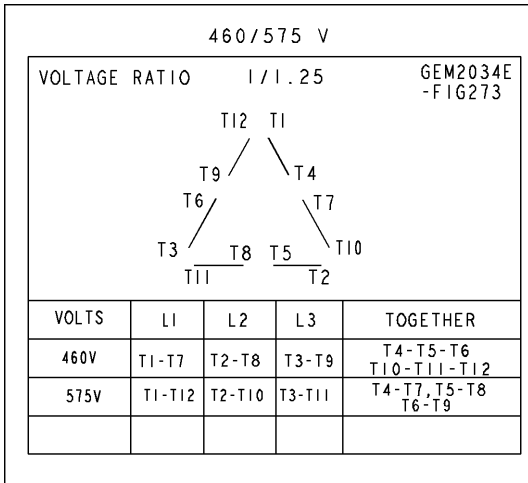
GE INDUSTRIAL MOTORS
a WOLONG company

OUTLINE, NEMA WP1 447-449
VERTICAL HOLLOW SHAFT-HIGH THRUST GRS LOWER
200 BD1260 CU IN C/BOX

SCALE: 0.120 REF. No. 148CB49VMJKLGA0001 004

Marks:

Connection Diagram
GEM2034E-FIG273



Heater Connection
3027JE-1C



End shield Assembly		
Part Description	DE Side Part#	ODE Side Part#
End Shield	115E7661AA1	115E7670LM1
Bearing	235A2622AA01	235A2536AB01
Slinger/Inproseal	149C4399G06	

Fan & Fan Cover Assembly	
Part Description	Part#
Fan	
Fan Cover	161C1050AA1

Conduit & Accessories Box Assembly	
Part Description	Part#
Conduit Box	179B9058G03

Mechanical Accessories	
Part Description	Part#
Brake	
Tachometer	

