



GE INDUSTRIAL MOTORS
a **WOLONG** company

Product Technical Information

July 15, 2020

Data shown is for the current revision model #. Ensure your nameplate model # matches.

Model Number:	5KS405DAJ6020D
Catalog Number:	V4524
Instruction Manual:	GEI-M1045
Connection Diagram:	GEM2034E-FIG19
Outline Drawing:	148CB40VMHKCCLA0001

Accessory Connection Diagrams

Bearing Thermocouple:	None	Heater:	3027JE-1C
RTD:	None	Thermistor:	None
Thermostat:	3027JE-2A	Winding Thermocouple:	None
Bearing RTD:	None		

Table of Contents

Specification	01
Performance Characteristics	02
Outline Drawing	03
Connection Drawing(s)	04
Spare parts	05

Marks:

MODEL NUMBER:	5KS405DAJ6020D	Estimated Weight:	1150 Lbs
Outline Drawing:	148CB40VMHKCLA0001	Time Rating:	CONT
Connection Diagram:	GEM2034E-FIG19	Enclosure:	WPI
Instruction Book:	GEI-M1045	Encl Construction:	OPEN
Design Code:	40BD1168D	Ambient Max(°C):	40
Type:	KS	Alt Ambient Max(°C):	--
Frame:	L405TP16	Insulation Class:	H
Phases:	3	NEMA Design:	B
Poles:	4	Nominal Efficiency:	95.4 %
Output Power:	125HP 92.5KW	Guaranteed Efficiency:	94.5 %
RPM:	1780	3/4 Load Efficiency:	94.3 %
Voltage:	460	KVA Code:	G
Hertz:	60	Max KVAR:	45.2
Amps - FL:	151.0	Power Factor:	82.5
Service Factor:	1.15	Bearing - DE:	6215C3
Alt Service Factor:	--	Bearing - ODE:	235A2532AA01

Enclosure is Weather Protected One

Stamped Nameplate Notes:

NEMA ENCLOSURE WP-I, CSA ENCL DP
HTR LDS HE1-HE2 115V 100W
ROT CCW FACING ODE LEAD/PH SEQ 1-2-3/1-2-3
THERMOSTAT LEADS TB1-TB2 TRIP
INVERTER DUTY PER NEMA MG1 PART 31
ALTERNATE RATING FOR PWM CONTROL:1.0SF 40C AMBIENT
VAR TORQUE RANGE 5-60 HZ
UPPER BRG LUBE OIL: 6 QTS
0 DEG C TO 40 DEG C : ISO 32(MINERAL OR SYNTHETIC)
-15 DEG C TO 0 DEG C : ISO 32 SYNTHETIC
SUITABLE FOR 100 HP, 380V, 50 HZ WITH
145.0 AMPS AND 1485 RPM AT 1.0 SF



Additional Information:

4P, VERT HOLLOW SHAFT HIGH THRUST (2D)
C/BOX 700 CU IN - 3.00" NPT
OIL RESISTANT SLEEVING ON LEADS
(3)N.C, CL F, TRIP TSTAT LDS TO MAIN CONDUIT BOX
115V HTR LDS TO MAIN CONDUIT BOX
GROUND PAD
INSULATED UPPER BEARING CARRIER
SHAFT GROUNDING RING MOUNTED ON LOWER END BRG CAP
BEARING LIFE 8760 HRS AT 14609 LB THRUST
PART WINDING START
CG:18.50 IN FROM P-BASE FACE, STAT DEF:0.0032 IN
RCF:3240 CPM AT C/BOX SIDE, 3360 CPM AT
90 DEG FROM C/ BOX SIDE
NON-REVERSE BALL CARRIER,
BOLTED COUPLING, BX=1.501, EW=.375
SPECIAL BALANCE



Performance Characteristics

1st Winding 1st Connection

Design: 40BD1168D

Marks:

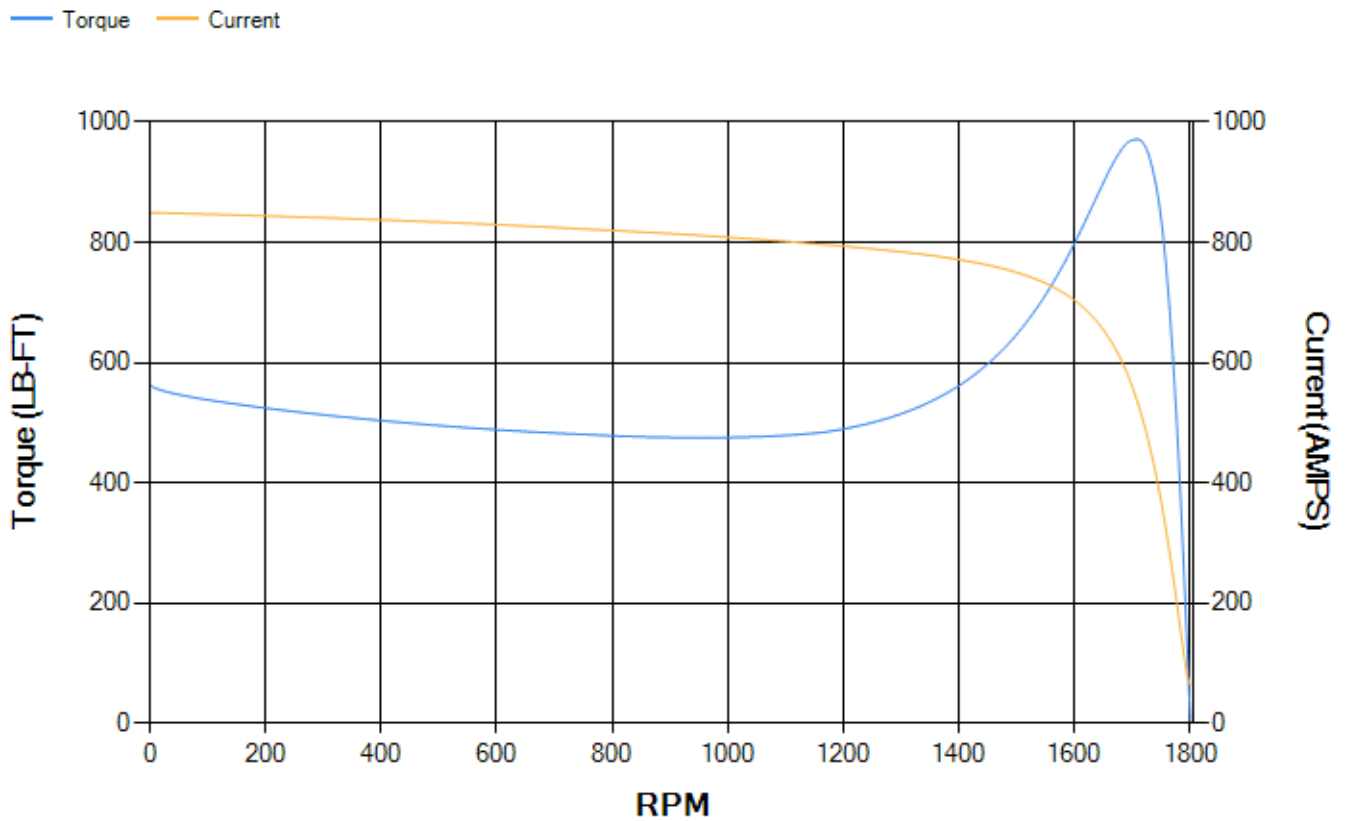
LOAD %	125.0	115.0	100.0	75.0	50.0	25.0	0.0
% EFF	93.87	94.06	94.47	94.3	93.54	89.94	0.00
% PF	84.56	83.93	82.42	77.61	67.2	44.82	4.52
AMPS	184.23	170.43	150.26	119.89	93.05	72.55	63.12

TORQ(FL)#FT	368.27	TORQ(LR)%FL	153.25	TORQ(BD)%FL	263.31
AMPS(LR)	849.59	PF AT START	0.32		

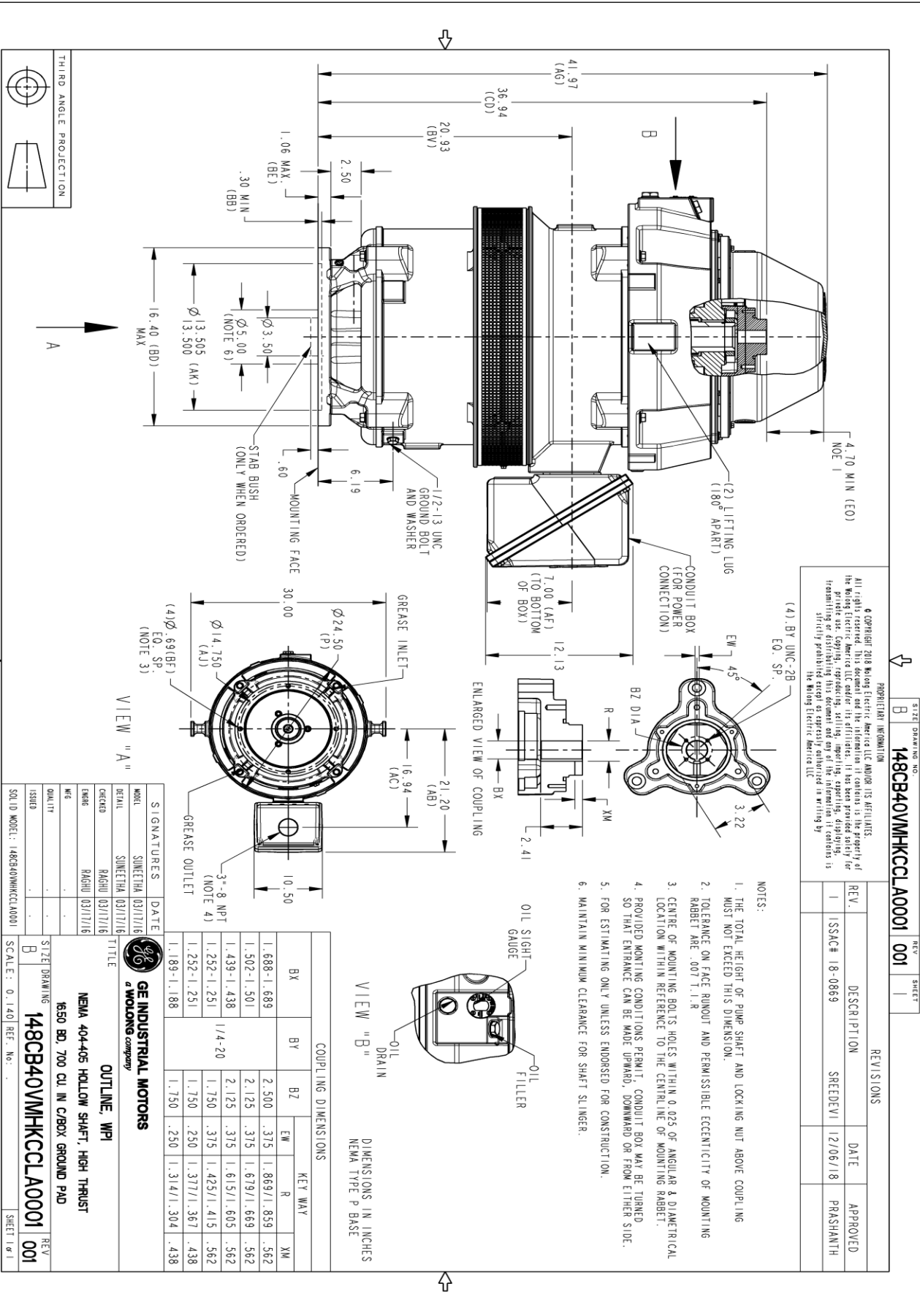
This motor is capable of two cold or one hot start with a maximum connected load inertia of 1911 Lb-Ft Sq (80.45 Kg-meter Sq)at 100% voltage, where the load torque varies with the square of the speed. Acceleration time with maximum inertia and the above load type is 26 seconds. Safe stall time at 100% voltage is 61 seconds cold, 32 seconds hot. Rotor inertia is 21.53 Lb-Ft Sq (0.91 Kg-meter Sq).

Open Circuit A-C:	0.596	Short Circuit D-C:	0.024
Short Circuit A-C:	0.04	X/R Ratio:	8.936
Stator Slots:	72	Rotor Slots:	58

Speed Torque Current Curve (First Connection, First Speed)



Marks:



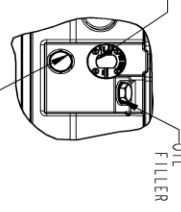
PROPRIETARY INFORMATION

© COPYRIGHT 2018 Wolong Electric America LLC AND/OR ITS AFFILIATES. All rights reserved. This document and the information it contains is the property of Wolong Electric America LLC and/or its affiliates. It has been provided solely for transmission and use of the equipment and any of the equipment's components. This information is not to be used for any other purpose without the express written permission of Wolong Electric America LLC.

REVISIONS

REV.	DESCRIPTION	DATE	APPROVED
1	ISSAC# 18-0869	12/06/18	PRASHANTH

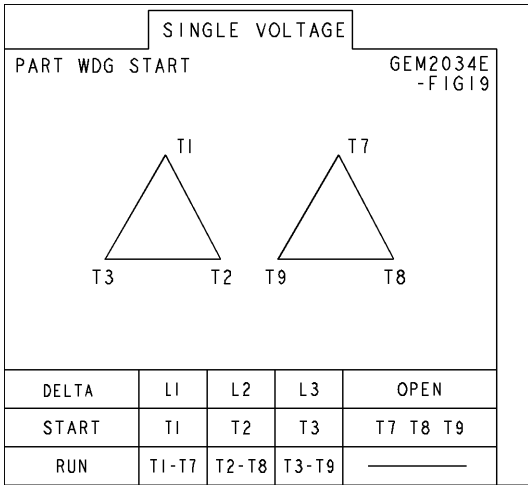
- NOTES:**
1. THE TOTAL HEIGHT OF PUMP SHAFT AND LOCKING NUT ABOVE COUPLING MUST NOT EXCEED THIS DIMENSION.
 2. TOLERANCE ON FACE RUNOUT AND PERMISSIBLE ECCENTRICITY OF MOUNTING RABBIT ARE .007 T.I.R
 3. CENTRE OF MOUNTING BOLTS HOLES WITHIN 0.025 OF ANGULAR & DIAMETRICAL LOCATION WITHIN REFERENCE TO THE CENTRINE OF MOUNTING RABBIT.
 4. PROVIDED MOUNTING CONDITIONS PERMIT, CONDUIT BOX MAY BE TURNED SO THAT ENTRANCE CAN BE MADE UPWARD, DOWNWARD OR FROM EITHER SIDE.
 5. FOR ESTIMATING ONLY UNLESS ENDORSED FOR CONSTRUCTION.
 6. MAINTAIN MINIMUM CLEARANCE FOR SHAFT SLINGER.



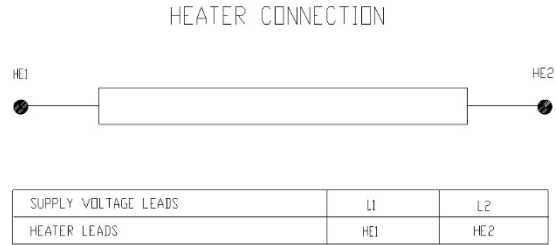
DIMENSIONS IN INCHES
NEMA TYPE P BASE

Marks:

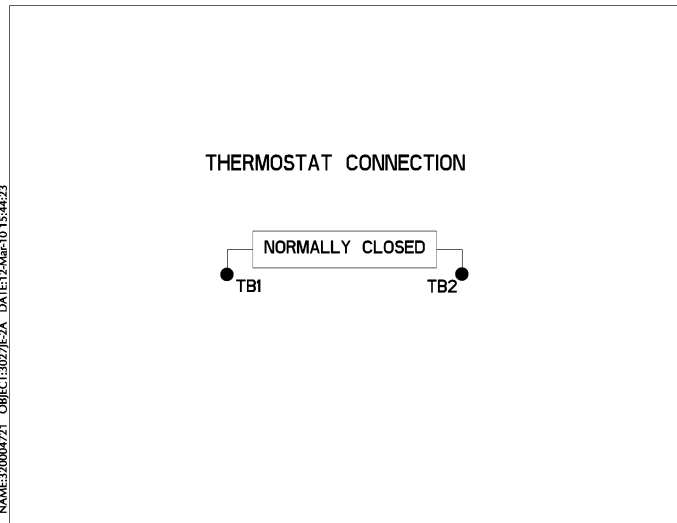
Connection Diagram
GEM2034E-FIG19



Heater Connection
3027JE-1C



Thermostat Connection
3027JE-2A



NAME:320004721 - OBJECT:3027JE-2A DATE:12-Mar-10 15:44:23



End shield Assembly		
Part Description	DE Side Part#	ODE Side Part#
End Shield	115E7306AC1	115E7310LJ1
Bearing	235A2513AL01	235A2532AA01
Slinger/Inproseal	235A2300HW1	

Fan & Fan Cover Assembly	
Part Description	Part#
Fan	
Fan Cover	161C1054AA1

Conduit & Accessories Box Assembly	
Part Description	Part#
Conduit Box	118D4408AD2

Mechanical Accessories	
Part Description	Part#
Brake	
Tachometer	

