



GE INDUSTRIAL MOTORS
a **WOLONG** company

Product Technical Information

July 15, 2020

Data shown is for the current revision model #. Ensure your nameplate model # matches.

Model Number:	5KS364DAJ6021D
Catalog Number:	V4552
Instruction Manual:	GEI-M1045
Connection Diagram:	GEM2034E-FIG7
Outline Drawing:	148CB36VMHKBCLA0001

Accessory Connection Diagrams

Bearing Thermocouple:	None	Heater:	3027JE-1C
RTD:	None	Thermistor:	None
Thermostat:	3027JE-2A	Winding Thermocouple:	None
Bearing RTD:	None		

Table of Contents

Specification	01
Performance Characteristics	02
Outline Drawing	03
Connection Drawing(s)	04
Spare parts	05

Marks:

MODEL NUMBER:	5KS364DAJ6021D	Estimated Weight:	800 Lbs
Outline Drawing:	148CB36VMHKBCLA0001	Time Rating:	CONT
Connection Diagram:	GEM2034E-FIG7	Enclosure:	WPI
Instruction Book:	GEI-M1045	Encl Construction:	OPEN
Design Code:	36BD1236BA	Ambient Max(°C):	40
Type:	KS	Alt Ambient Max(°C):	--
Frame:	L364TP16	Insulation Class:	H
Phases:	3	NEMA Design:	B
Poles:	4	Nominal Efficiency:	95.0 %
Output Power:	60HP 44.4KW	Guaranteed Efficiency:	94.1 %
RPM:	1785	3/4 Load Efficiency:	--
Voltage:	575	KVA Code:	G
Hertz:	60	Max KVAR:	24.6
Amps - FL:	59.8	Power Factor:	79.5
Service Factor:	1.15	Bearing - DE:	6212C3
Alt Service Factor:	--	Bearing - ODE:	235A2523AD01

Enclosure is Weather Protected One

Stamped Nameplate Notes:

NEMA ENCLOSURE WP-I, CSA ENCL DP
 HTR LDS HE1-HE2 115V 100W
 ROT CCW FACING ODE LEAD/PH SEQ 1-2-3/1-2-3
 THERMOSTAT LEADS TB1-TB2 TRIP
 INVERTER DUTY PER NEMA MG1 PART 31
 ALTERNATE RATING FOR PWM CONTROL:1.0SF 40C AMBIENT
 VAR TORQUE RANGE 5-60 HZ
 UPPER BRG LUBE OIL: 3.7 QTS
 0 DEG C TO 40 DEG C : ISO 32(MINERAL OR SYNTHETIC)
 -15 DEG C TO 0 DEG C : ISO 32 SYNTHETIC



Additional Information:

4P, VERT HOLLOW SHAFT HIGH THRUST (1D)
C/BOX 346 CU IN - 3.00" NPT
OIL RESISTANT SLEEVING ON LEADS
(3)N.C, CL F, TRIP TSTAT LDS TO MAIN CONDUIT BOX
115V HTR LDS TO MAIN CONDUIT BOX
GROUND PAD
SHAFT GROUNDING RING MOUNTED ON LOWER END BRG CAP
BEARING LIFE 8760 HRS AT 6244 LB THRUST
CG:15.23 IN FROM P-BASE FACE, STAT DEF:0.0033 IN
RCF:3300 CPM AT C/BOX SIDE, 3270 CPM AT
90 DEG FROM C/ BOX SIDE
NON-REVERSE BALL CARRIER,
BOLTED COUPLING, BX=1.188, EW=.25
SPECIAL BALANCE



Performance Characteristics

1st Winding 1st Connection

Design: 36BD1236BA

Marks:

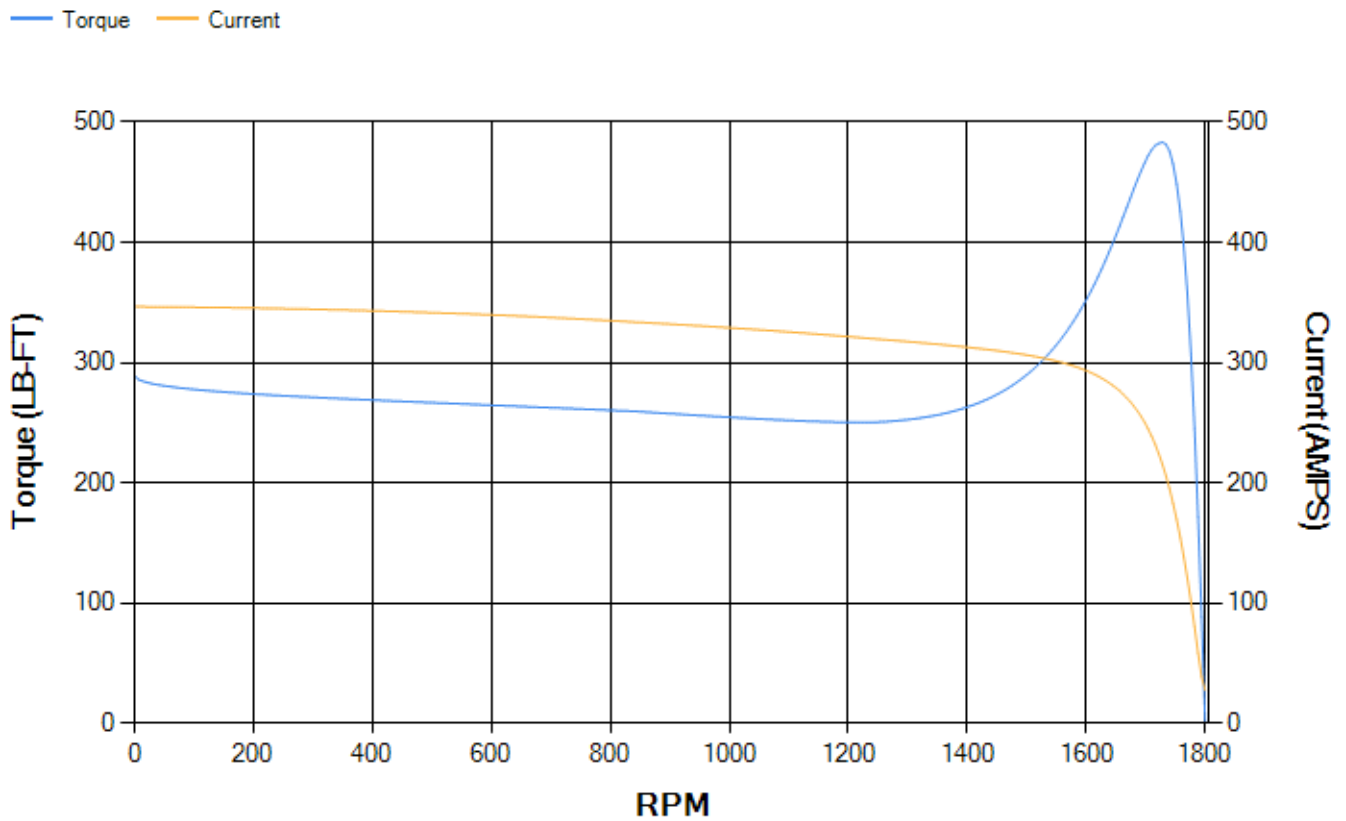
LOAD %	125.0	115.0	100.0	75.0	50.0	25.0	0.0
% EFF	94.18	94.33	94.68	94.42	93.56	89.81	0.00
% PF	82.22	81.38	79.51	73.89	62.56	40.33	3.93
AMPS	72.52	67.3	59.53	48.29	38.37	31.01	27.5

TORQ(FL)#FT	176.51	TORQ(LR)%FL	163.83	TORQ(BD)%FL	273.03
AMPS(LR)	346.5	PF AT START	0.31		

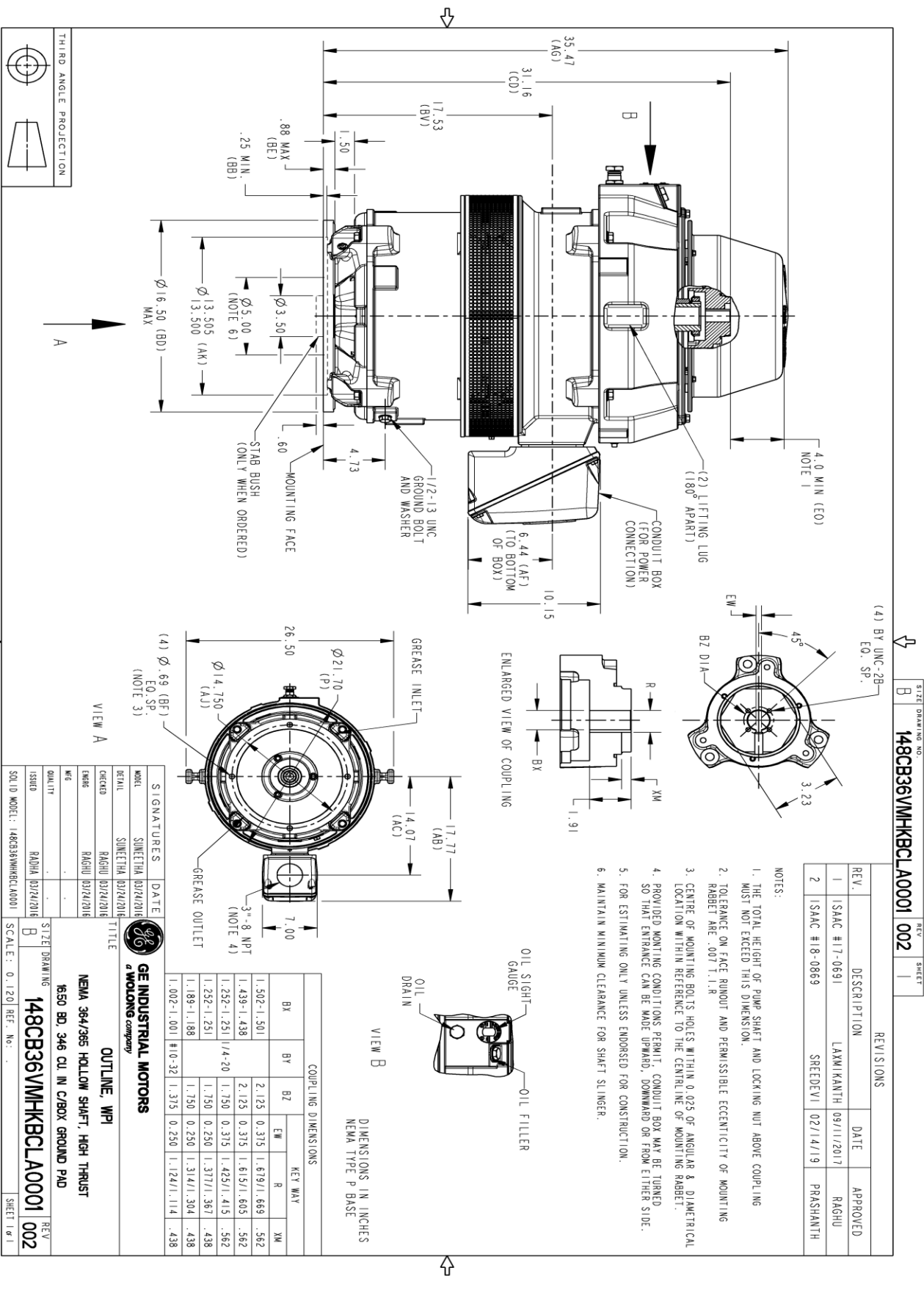
This motor is capable of two cold or one hot start with a maximum connected load inertia of 1629 Lb-Ft Sq (68.58 Kg-meter Sq)at 100% voltage, where the load torque varies with the square of the speed. Acceleration time with maximum inertia and the above load type is 43 seconds. Safe stall time at 100% voltage is 73 seconds cold, 53 seconds hot. Rotor inertia is 11.09 Lb-Ft Sq (0.47 Kg-meter Sq).

Open Circuit A-C:	0.616	Short Circuit D-C:	0.025
Short Circuit A-C:	0.041	X/R Ratio:	9.556
Stator Slots:	60	Rotor Slots:	50

Speed Torque Current Curve (First Connection, First Speed)



Marks:

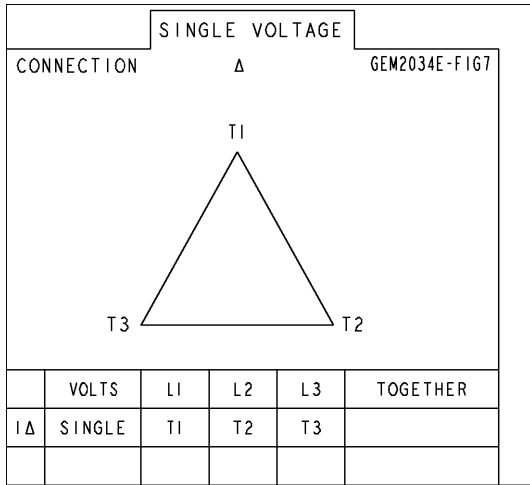


SIZE DRAWING NO. 148CB36VMHKBCLA0001 002

REV. 1 SHEET 1

Marks:

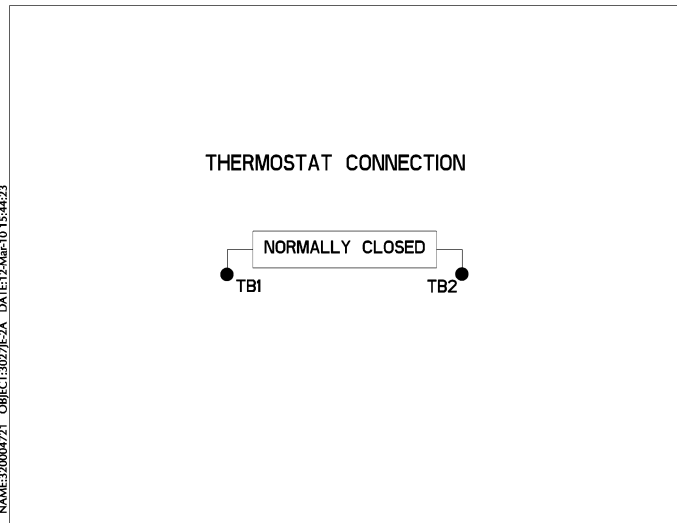
Connection Diagram
GEM2034E-FIG7



Heater Connection
3027JE-1C



Thermostat Connection
3027JE-2A



NAME:320004721 OBJECT:3027JE-2A DATE:12-Mar-10 15:44:23



End shield Assembly		
Part Description	DE Side Part#	ODE Side Part#
End Shield	115E7255AA1	115E7259LJ1
Bearing	235A2509BE01	235A2523AD01
Slinger/Inproseal	235A2300FM1	

Fan & Fan Cover Assembly	
Part Description	Part#
Fan	
Fan Cover	161C1053AA1

Conduit & Accessories Box Assembly	
Part Description	Part#
Conduit Box	149C4429AA2

Mechanical Accessories	
Part Description	Part#
Brake	
Tachometer	

