

**BALDOR® • RELIANCE** 

**Product Information Packet**

**VDRX051544**

**1.5HP,1760//1460RPM,3PH,60/50HZ,56C,XPFC**

Part Detail							
Revision:	A	Status:	PRD/A	Change #:		Proprietary:	No
Type:	AC	Elec. Spec:	35WGM493	CD Diagram:	CD0005	Mfg Plant:	
Mech. Spec:		Layout:	35LYX748	Poles:	04	Created Date:	06-13-2019
Base:		Eff. Date:	05-04-2020	Leads:	9#18		

Specs			
Catalog Number:	VDRX051544	Duty Rating:	CONT
Enclosure:	XPFC	Electrically Isolated Bearing:	Not Electrically Isolated
Frame:	56C	Feedback Device:	NO FEEDBACK
Frame Material:	Steel	Heater Indicator:	No Heater
Output @ Frequency:	1.000 HP @ 50 HZ	Insulation Class:	F
	1.500 HP @ 60 HZ	Inverter Code:	Inverter Duty
Synchronous Speed @ Frequency:	1800 RPM @ 60 HZ	IP Rating:	NONE
Voltage @ Frequency:	230.0 V @ 60 HZ	KVA Code:	L
	190.0 V @ 50 HZ	Lifting Lugs:	No Lifting Lugs
	380.0 V @ 50 HZ	Locked Bearing Indicator:	Locked Bearing
	460.0 V @ 60 HZ	Motor Lead Termination:	Flying Leads
XP Class and Group:	CLI GP C,D	Motor Type:	3526M
XP Division:	Division I	Mounting Arrangement:	F1
Agency Approvals:	UR	Power Factor:	73
	CSA EEV	Product Family:	General Purpose
	CSA	Pulley Face Code:	C-Face
Auxillary Box:	No Auxillary Box	Rodent Screen:	None
Auxillary Box Lead Termination:	None	RoHS Status:	ROHS NON-COMPLIANT

<b>Base Indicator:</b>	No Mounting	<b>Shaft Ground Indicator:</b>	No Shaft Grounding
<b>Bearing Grease Type:</b>	Polyrex EM (-20F +300F)	<b>Shaft Rotation:</b>	Reversible
<b>Blower:</b>	None	<b>Speed Code:</b>	Single Speed
<b>Constant Torque Speed Range:</b>	6	<b>Motor Standards:</b>	NEMA
<b>Current @ Voltage:</b>	4.400 A @ 230.0 V	<b>Starting Method:</b>	Direct on line
	3.800 A @ 190.0 V	<b>Thermal Device - Bearing:</b>	None
	2.200 A @ 460.0 V	<b>Thermal Device - Winding:</b>	Normally Closed Thermostat
	1.900 A @ 380.0 V	<b>Vibration Sensor Indicator:</b>	No Vibration Sensor
<b>Design Code:</b>	B	<b>Winding Thermal 1:</b>	None
<b>Drip Cover:</b>	No Drip Cover	<b>Winding Thermal 2:</b>	None
		<b>XP Temp Code:</b>	T3C

Nameplate NP1401XPSLEV												
NO.						CC	010A					
S/N						TEMP CODE	T3C					
SPEC.	35-0000-0199					INV. TYPE	PWM					
CAT.NO.	VDRX051544					C HP FR	60		C HP TO	90		
HP	1.5//1					CT HZ FROM	6		CT HZ TO	60		
VOLTS	230/460//190/380					VT HZ FROM	6		VT HZ TO	60		
AMPS	4.4/2.2//3.8/1.9					MAG CUR	2.8/1.4					
RPM	1760//1460					MX RPM	2700					
HZ	60//50			PH	3		CL	F				
SER.F.	1.00			DES	B		SL HZ	1.3		NOM.EFF.	86.5	
FRAME	56C			RATING	40C AMB-CONT					WK2	0.154	
	55C AMB @ 1.0 SF											
	1.15 SF SINEWAVE					NEMA MG-1 PT 5,IP55						

Parts List		
Part Number	Description	Quantity
SA371016	SA 35-0000-0199	1.000 EA
RA360682	RA 35-0000-0199	1.000 EA
LB1119N	WARNING LABEL	1.000 EA
LC0145B01	CONNECTION LABEL	1.000 EA
PK3082	STYROFOAM CRADLE	1.000 EA
NP1401XPSLEV	SS XP INV UL CSA-EEV CC CL-I GP-C&D	1.000 EA
85XU0407S04	4X1/4 U DRIVE PIN STAINLESS	2.000 EA
85XU0407S04	4X1/4 U DRIVE PIN STAINLESS	4.000 EA
MN416A01	TAG-INSTAL-MAINT no wire (2100/bx) 4/22	1.000 EA
LB1359F	ALUM XP CAUTION LABEL	1.000 EA
35FH4005A01SP	IEC FH NO GREASER W/PRIMED	1.000 EA
51XW1032A06	10-32 X .38, TAPTITE II, HEX WSHR SLTD S	3.000 EA
35FN3002A05SP	EXFN, PLASTIC, 6.376 OD, .638 ID	1.000 EA
51XB1214A16	12-14X1.00 HXWSSLD SERTYB	1.000 EA
MJ1000A02	GREASE, MOBIL POLYREX EM - 124047	0.050 LB
HA3104A08	THRUBOLT-5/16-18X9.375 X X	4.000 EA
XY3118A12	5/16-18 HEX NUT DIRECTIONAL SERRATION	4.000 EA
35EP3700B07	FR ENDPLATE, XPFC - GROUP C, W/ DRAIN	1.000 EA
HW5100A03	WAVY WASHER (W1543-017)	1.000 EA
HW4506A02	BREATHER/DRAIN-EXP PROOF-.125-27 NPTF AI	1.000 EA
HW3022E05	.125 DIA X .500 ROLLED SPRING PIN	1.000 EA
35EP1704A39	PUEP 205 BRG XP GRP C W/SLINGER, DRAIN	1.000 EA
HA2071A02	SLINGER ALUM (AUTO)	1.000 EA
80XN1032A04	10-32 X 1/4 SET SCREW	1.000 EA

<b>Parts List (continued)</b>		
<b>Part Number</b>	<b>Description</b>	<b>Quantity</b>
84XN1032J20	SCREW, SOC 10-32 X 1 1/4"BMH4602	2.000 EA
HW4001A01	1/4 HX SOC PIPE PLG (F/S) ALLOY STEEL W/	2.000 EA
60XN1032A07	10-32 X .4375 TRUSS HEAD, TORX SERRATED	2.000 EA
HW4506A02	BREATHER/DRAIN-EXP PROOF-.125-27 NPTF AI	1.000 EA
HW3022E05	.125 DIA X .500 ROLLED SPRING PIN	1.000 EA
35CB1005A01	CONDUIT BOX,MACH - GROUP "C" MTRS	1.000 EA
RM1020A41	O-RING, -150 BUNA-N, .103 CS X 2.862 ID	1.000 EA
11XW1032G06	10-32 X .38, TAPTITE II, HEX WSHR SLTD U	1.000 EA
HW3001B01	BRASS CUP WASHER, FOR #10 SCREW	1.000 EA
35CB1501A01	CONDUIT BOX LID, MACH. - GROUP "C" MTRS	1.000 EA
MG1500Y02	WILKOPON PRIMER YELLOW	0.022 GA
MG1025G29	WILKOFASST, 789.229, DARK CHARCOAL GRAY	0.022 GA
36PA1001	PKG GRP, PRINT PK1017A06	1.000 EA
HW2501D13	KEY, 3/16 SQ X 1.375	1.000 EA
HA7000A04	KEY RETAINER 0.625 DIA SHAFTS	1.000 EA

**AC Induction Motor Performance Data**

Record # 76732

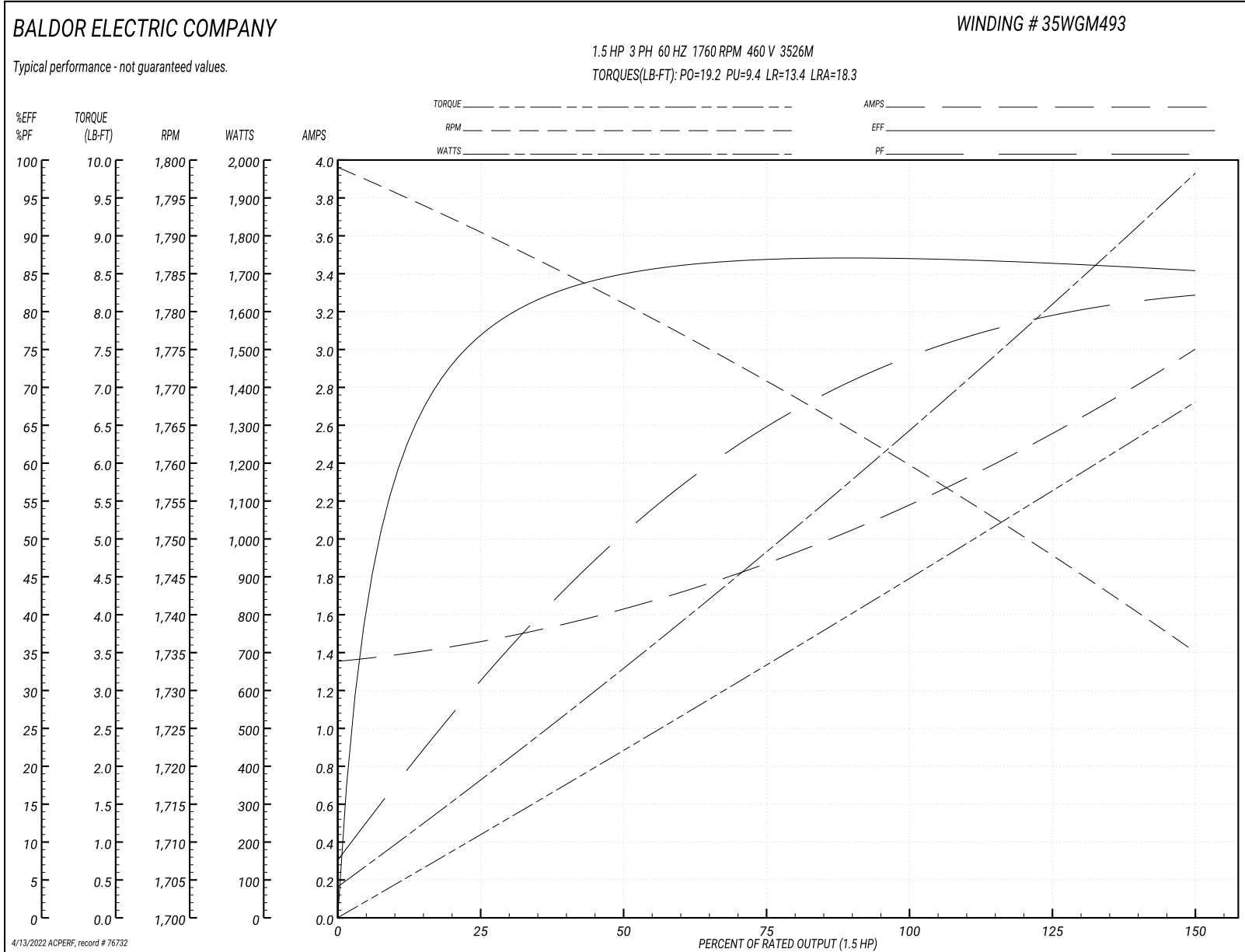
Typical performance - not guaranteed values

<b>Winding:</b> 35WGM493-R023		<b>Type:</b> 3526M		<b>Enclosure:</b> XPFC	
<b>Nameplate Data</b>			<b>460 V, 60 Hz: Single Voltage Motor</b>		
<b>Rated Output (HP)</b>		1.5	<b>Full Load Torque</b>		4.47 LB-FT
<b>Volts</b>		230/460//190/380	<b>Start Configuration</b>		direct on line
<b>Full Load Amps</b>		4.4/2.2//3.8/1.9	<b>Breakdown Torque</b>		19.2 LB-FT
<b>R.P.M.</b>		1760//1460	<b>Pull-up Torque</b>		9.4 LB-FT
<b>Hz</b>	60//50	<b>Phase</b>	3	<b>Locked-rotor Torque</b>	13.4 LB-FT
<b>NEMA Design Code</b>		<b>B KVA Code</b>	L	<b>Starting Current</b>	18.3 A
<b>Service Factor (S.F.)</b>			1	<b>No-load Current</b>	1.37 A
<b>NEMA Nom. Eff.</b>	86.5	<b>Power Factor</b>	73	<b>Line-line Res. @ 25°C</b>	10.1 Ω
<b>Rating - Duty</b>			40C AMB-CONT	<b>Temp. Rise @ Rated Load</b>	44°C
				<b>Locked-rotor Power Factor</b>	51.5
				<b>Rotor inertia</b>	0.154 LB-FT <sup>2</sup>

**Load Characteristics 460 V, 60 Hz, 1.5 HP**

<b>% of Rated Load</b>	<b>25</b>	<b>50</b>	<b>75</b>	<b>100</b>	<b>125</b>	<b>150</b>
<b>Power Factor</b>	31	51	65	73	79	83
<b>Efficiency</b>	76.2	84.4	86.9	87.1	86.4	85.3
<b>Speed</b>	1791	1781	1771	1760	1748	1735
<b>Line amperes</b>	1.44	1.61	1.86	2.19	2.58	2.98

Performance Graph at 460V, 60Hz, 1.5HP Typical performance - Not guaranteed values





**AC Induction Motor Performance Data**

Record # 76733

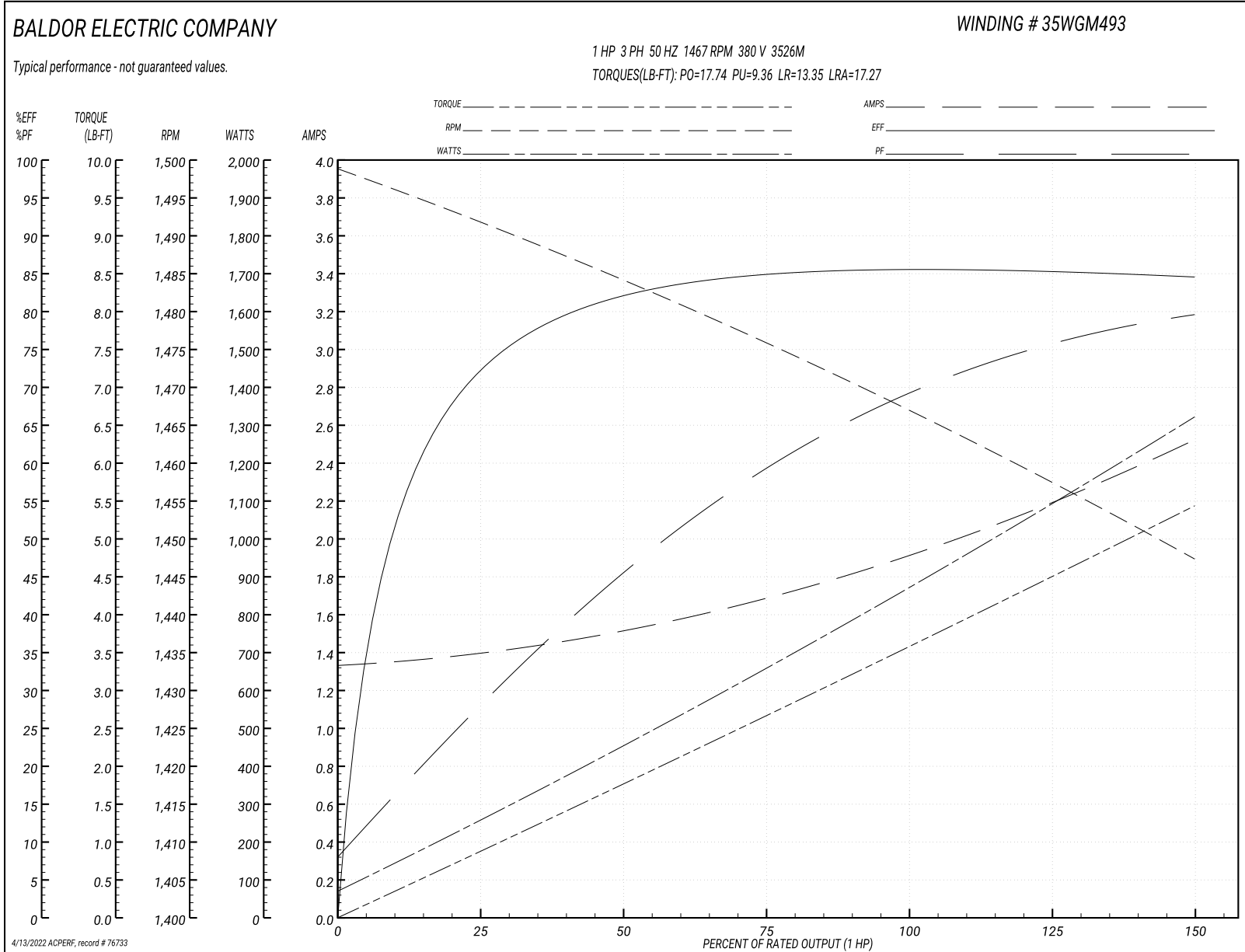
Typical performance - not guaranteed values

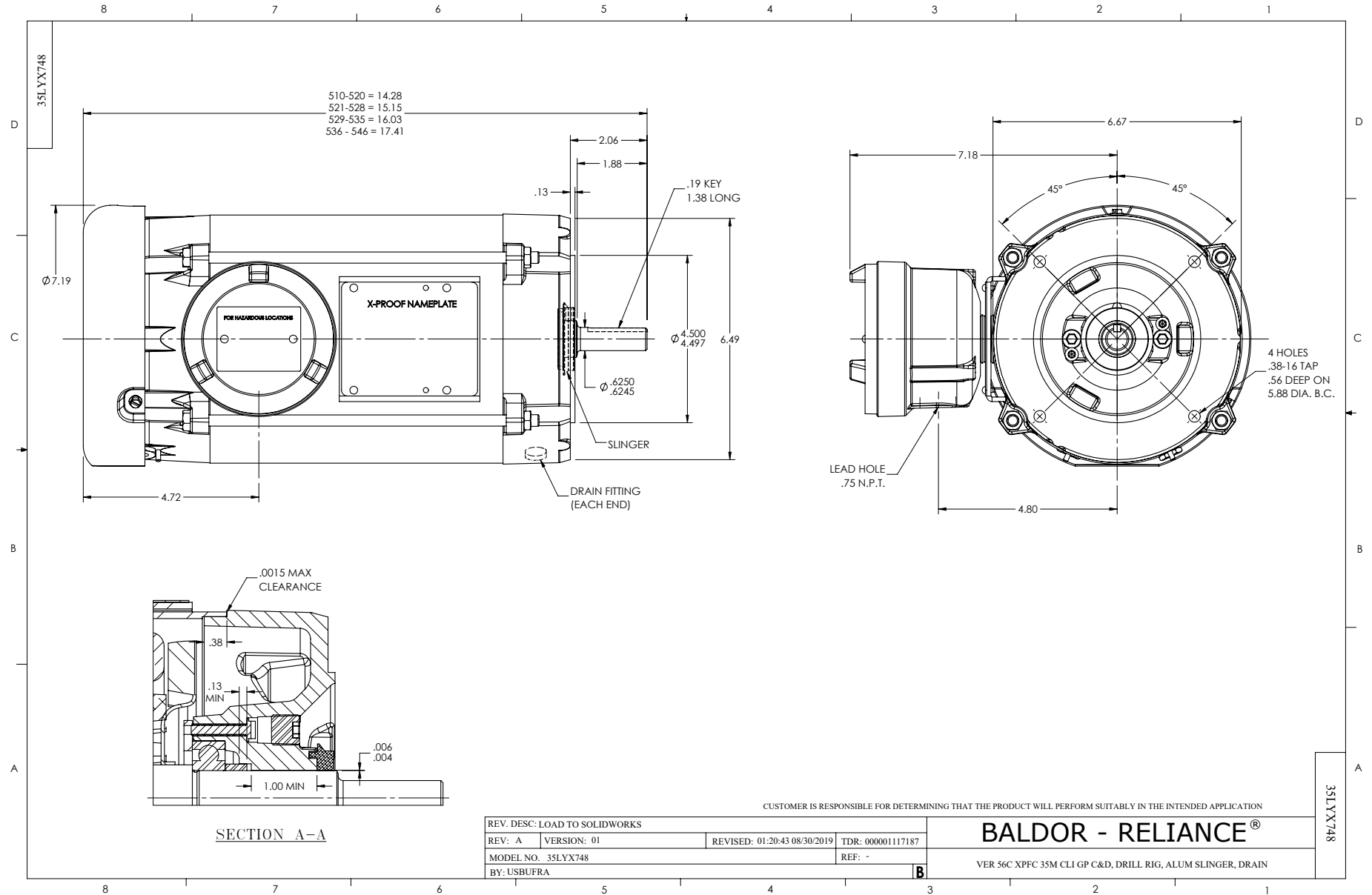
<b>Winding: 35WGM493-R023</b>		<b>Type: 3526M</b>		<b>Enclosure: XPFC</b>	
<b>Nameplate Data</b>			<b>380 V, 50 Hz: High Voltage Connection</b>		
<b>Rated Output (HP)</b>	1.5		<b>Full Load Torque</b>	3.58 LB-FT	
<b>Volts</b>	230/460//190/380		<b>Start Configuration</b>	direct on line	
<b>Full Load Amps</b>	4.4/2.2//3.8/1.9		<b>Breakdown Torque</b>	17.74 LB-FT	
<b>R.P.M.</b>	1760//1460		<b>Pull-up Torque</b>	9.36 LB-FT	
<b>Hz</b>	60//50	<b>Phase</b>	3	<b>Locked-rotor Torque</b>	13.35 LB-FT
<b>NEMA Design Code</b>	B	<b>KVA Code</b>	L	<b>Starting Current</b>	17.27 A
<b>Service Factor (S.F.)</b>	1		<b>No-load Current</b>	1.34 A	
<b>NEMA Nom. Eff.</b>	86.5	<b>Power Factor</b>	73	<b>Line-line Res. @ 25°C</b>	10.1 Ω
<b>Rating - Duty</b>	40C AMB-CONT		<b>Temp. Rise @ Rated Load</b>	35°C	
			<b>Locked-rotor Power Factor</b>	57.1	
			<b>Rotor inertia</b>	0.154 LB-FT <sup>2</sup>	

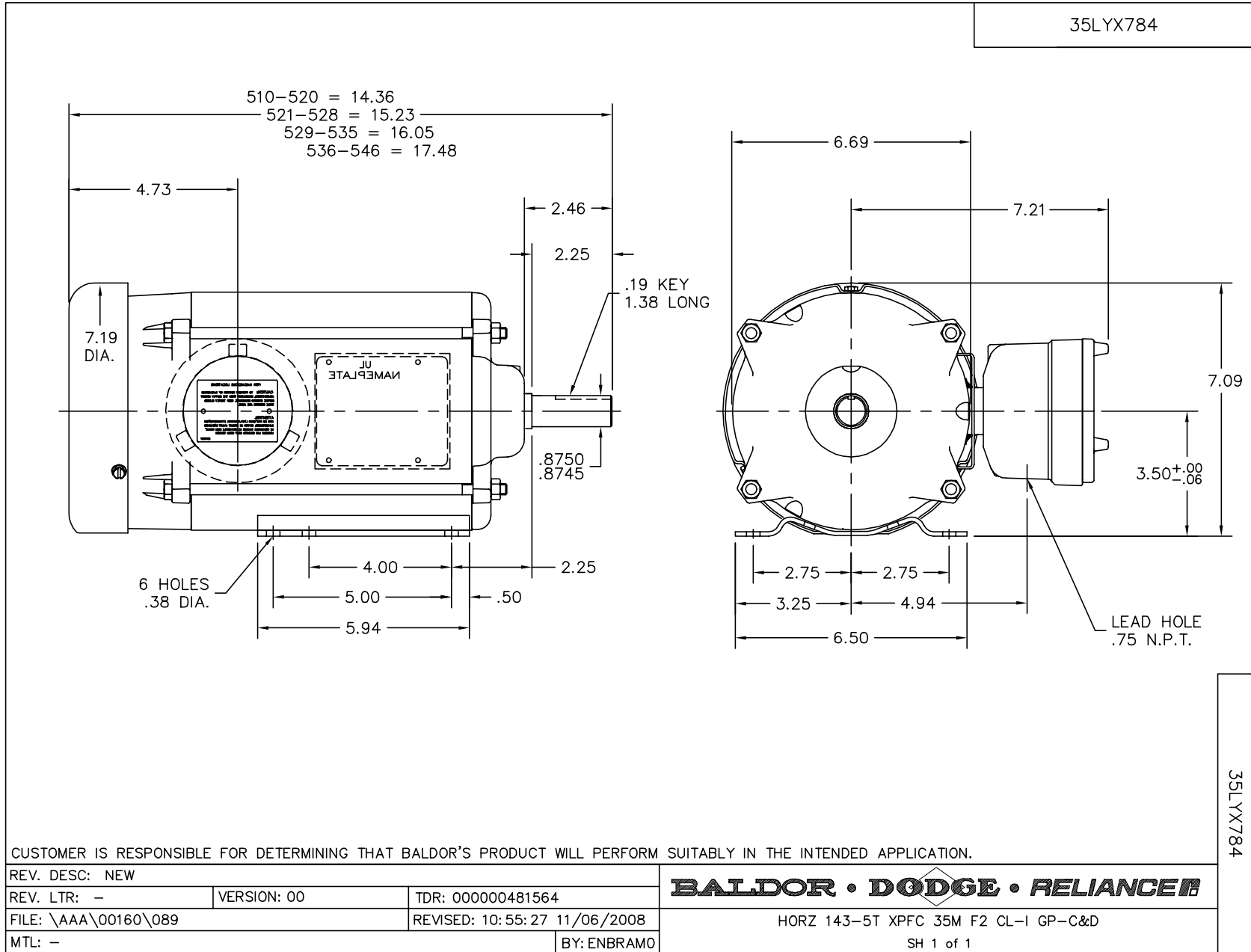
**Load Characteristics 380 V, 50 Hz, 1 HP**

<b>% of Rated Load</b>	<b>25</b>	<b>50</b>	<b>75</b>	<b>100</b>	<b>125</b>	<b>150</b>
<b>Power Factor</b>	28	46	59	69	75	80
<b>Efficiency</b>	71.5	81.5	84.8	85.7	85.4	84.4
<b>Speed</b>	1492	1484	1476	1467	1458	1447
<b>Line amperes</b>	1.39	1.5	1.68	1.92	2.21	2.51

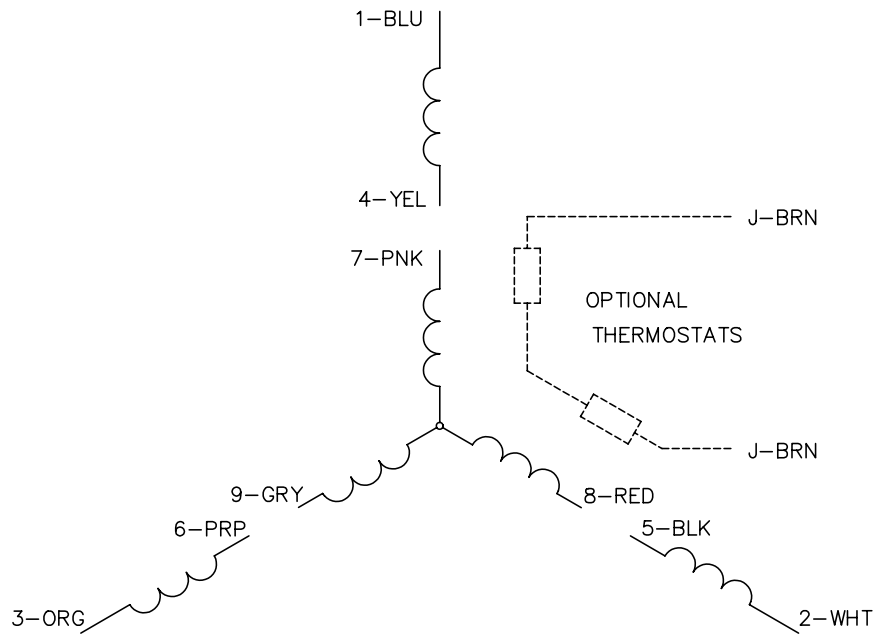
Performance Graph at 380V, 50Hz, 1.0HP Typical performance - Not guaranteed values



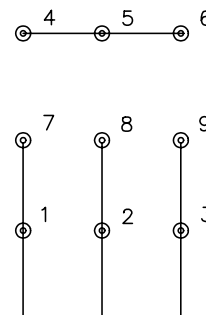




CD0005

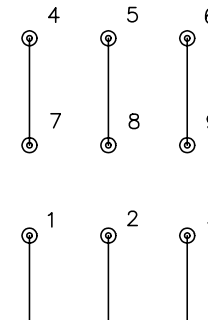


LOW VOLTAGE  
(2Y)



LINE

HIGH VOLTAGE  
(1Y)



LINE

NOTES:

1. INTERCHANGE ANY TWO LINE LEADS TO REVERSE ROTATION.
2. OPTIONAL THERMOSTATS ARE PROVIDED WHEN SPECIFIED.
3. ACTUAL NUMBER OF INTERNAL PARALLEL CIRCUITS MAY BE A MULTIPLE OF THOSE SHOWN ABOVE.
4. LEAD COLORS ARE OPTIONAL. LEADS MUST ALWAYS BE NUMBERED AS SHOWN.

REV. DESC: REVISE TO SHOW OPTIONAL COLORS			
REV. LTR: E	BY: JLP	REVISED: 01/19/99 10:15	TDR: 0171435
900000		FILE: AAA00005140	MDL: -
		MTL: -	

**BALDOR ELECTRIC Co.**

3PH, DV, 9 LEADS

CD0005

Marketing maintained PDF of MN416:

<http://www.baldor.com/support/Literature/Load.ashx/MN416?ManNumber=MN416>