

BALDOR® • RELIANCE 

Product Information Packet

VDRX251544T

15HP,1765//1470RPM,3PH,60/50HZ,254TC,XPF

Part Detail							
Revision:	G	Status:	PRD/A	Change #:		Proprietary:	No
Type:	AC	Elec. Spec:	09WGZ910	CD Diagram:	CD0005	Mfg Plant:	
Mech. Spec:		Layout:	09LYF525	Poles:	04	Created Date:	06-06-2019
Base:		Eff. Date:	03-29-2021	Leads:	9#12		

Specs			
Catalog Number:	VDRX251544T	Duty Rating:	CONT
Enclosure:	XPFC	Electrically Isolated Bearing:	Not Electrically Isolated
Frame:	254TC	Feedback Device:	NO FEEDBACK
Frame Material:	Iron	Heater Indicator:	No Heater
Output @ Frequency:	15.000 HP @ 60 HZ	Insulation Class:	F
	10.000 HP @ 50 HZ	Inverter Code:	Inverter Duty
Synchronous Speed @ Frequency:	1800 RPM @ 60 HZ	IP Rating:	NONE
Voltage @ Frequency:	190.0 V @ 50 HZ	KVA Code:	H
	230.0 V @ 60 HZ	Lifting Lugs:	Standard Lifting Lugs
	380.0 V @ 50 HZ	Locked Bearing Indicator:	Locked Bearing
	460.0 V @ 60 HZ	Motor Lead Termination:	Flying Leads
XP Class and Group:	CLI GP C,D	Motor Type:	0944M
XP Division:	Division I	Mounting Arrangement:	F1
Agency Approvals:	UR	Power Factor:	83
	CSA EEV	Product Family:	Hazardous Location Motor
	CSA	Pulley Face Code:	C-Face
Auxillary Box:	No Auxillary Box	Rodent Screen:	None
Auxillary Box Lead Termination:	None	RoHS Status:	ROHS NON-COMPLIANT

Base Indicator:	No Mounting	Shaft Ground Indicator:	No Shaft Grounding
Bearing Grease Type:	Polyrex EM (-20F +300F)	Shaft Rotation:	Reversible
Blower:	None	Speed Code:	Single Speed
Constant Torque Speed Range:	6	Motor Standards:	NEMA
Current @ Voltage:	38.000 A @ 208.0 V	Starting Method:	Direct on line
	36.200 A @ 230.0 V	Thermal Device - Bearing:	None
	30.400 A @ 190.0 V	Thermal Device - Winding:	Normally Closed Thermostat
	18.100 A @ 460.0 V	Vibration Sensor Indicator:	No Vibration Sensor
	15.200 A @ 380.0 V	Winding Thermal 1:	None
Design Code:	A	Winding Thermal 2:	None
Drip Cover:	No Drip Cover	XP Temp Code:	T3C

Nameplate NP1401XPSLEV											
NO.						CC	010A				
S/N						TEMP CODE	T3C				
SPEC.	09-0000-1464					INV.TYPE	PWM				
CAT.NO.	VDRX251544T					C HP FR	60		C HP TO	90	
HP	15//10					CT HZ FROM	6		CT HZ TO	60	
VOLTS	230/460//190/380					VT HZ FROM	6		VT HZ TO	60	
AMPS	36.2/18.1//30.4/15.2					MAG CUR	15/7.5				
RPM	1765//1470					MX RPM	2700				
HZ	60//50		PH	3		CL	F		NOM.EFF.	92.4	
SER.F.	1.00		DES	A		SL HZ	1.2		WK2	1.93	
FRAME	254TC		RATING	40C AMB-CONT							
	55C AMB @ 1.00 SF, 60C RISE										
	1.15SF ON SINEWAVE					NEMA MG-1 PT.5,IP55					

Parts List		
Part Number	Description	Quantity
SA370409	SA 09-0000-1464	1.000 EA
RA360059	RA 09-0000-1464	1.000 EA
LB1115N	LABEL,LIFTING DEVICE (ON ROLLS)	1.000 EA
LC0005E01	SPL CONN.DIA./WARN.LABEL(LC0005/LB1119)	1.000 EA
NP1401XPSLEV	SS XP INV UL CSA-EEV CC CL-I GP-C&D	1.000 EA
85XU0407S04	4X1/4 U DRIVE PIN STAINLESS	2.000 EA
85XU0407S04	4X1/4 U DRIVE PIN STAINLESS	4.000 EA
MN416A01	TAG-INSTAL-MAINT no wire (2100/bx) 4/22	1.000 EA
LB1081Z	ALUM XP CAUTION LABEL (ZK PLANT ONLY-	1.000 EA
HW3201A01	1/2-13 EYEBOLT	1.000 EA
HW1002A63	WASHER, 5/8 HI-COLLAR SPRLCKWASHER	1.000 EA
09FH1004A03P	FAN COVER, MACH PRIMED	1.000 EA
HW1001A25	LOCKWASHER 1/4, ZINC PLT .493 OD, .255 I	3.000 EA
10XN2520K14	1/4-20 X .88 HEX GRD 5 (20001)	3.000 EA
37FN3002B02	EXFN, PLASTIC, 7.50 OD, 1.503 ID	1.000 EA
LD7020D09	LEAD SET, 12AWG, 9 LEAD, 20" LONG LEADS	1.000 EA
HW2500A25	WOODRUFF KEY USA #1008 #BLOW CARBON STEE	1.000 EA
MJ1000A02	GREASE, MOBIL POLYREX EM - 124047	0.080 LB
09EP1700A65PP15	FR ENDPLATE, MACH, XPFC W/DRN HW4505A02	1.000 EA
10XN3816K28	3/8-16 X 1.75 HEX HD CAP SCREW, GRADE 5	4.000 EA
HW1001A38	LOCKWASHER 3/8, ZINC PLT .688 OD, .382 I	4.000 EA
HA2065A03	SLINGER, ALUM.	1.000 EA
80XN1032A07	SET SCREW, HEX XOCK, ZN	1.000 EA
HW5100A08	W3118-035 WVY WSHR (WB)	1.000 EA

Parts List (continued)		
Part Number	Description	Quantity
HA4017A03	.125 X 1.75 GREASE EXT (F/S)	1.000 EA
HA4017A08	.125X3.50 GREASER EXTEN.	1.000 EA
HW4019A01	PIPE COUPLING 1/8 NPT,STEEL,ZINC COATING	1.000 EA
HA4051A00	PLASTIC CAP FOR GREASE FITTING	1.000 EA
HW4500A21	1618BALEMITE FITTING 825 UNIVERSAL	1.000 EA
HW4500A17	317400 ALEMITE GREASE RELIEF	1.000 EA
HW4505A02	BREATHER/DRAIN-EXP PROOF-.250-18 PTF AIS	1.000 EA
HW3023E06	.125 X .625 SPIRAL SPRING PIN	1.000 EA
09EP1708A19P	PUEP, MACH W/METAL SLINGER & HW4505A02 W	1.000 EA
HW1001A38	LOCKWASHER 3/8, ZINC PLT .688 OD, .382 I	4.000 EA
10XN3816K28	3/8-16 X 1.75 HEX HD CAP SCREW, GRADE 5	4.000 EA
HA2066A01	SLINGER, ALUM (AUTO)	1.000 EA
80XN1032A07	SET SCREW, HEX XOCK, ZN	1.000 EA
10XN2520K36	1/4-20 X 2.25" HX HD SCRWGRADE 5, ZINC P	4.000 EA
HA4051A00	PLASTIC CAP FOR GREASE FITTING	1.000 EA
HW4500A03	GREASE FITTING, .125 NPT 1610(ALEMITE) 8	1.000 EA
HW4500A17	317400 ALEMITE GREASE RELIEF	1.000 EA
HW4505A02	BREATHER/DRAIN-EXP PROOF-.250-18 PTF AIS	1.000 EA
HW3023E06	.125 X .625 SPIRAL SPRING PIN	1.000 EA
09CB1003A01P	KOBX, MACH 1.25 NPT GROUP C MTRS PRIMED	1.000 EA
10XN3118K24	5/16-18 X 1.50" HEX HD, GRADE 5	4.000 EA
HW1001A31	LOCKWASHER 5/16, ZINC PLT.591 OD, .319 I	4.000 EA
WD1000B25	GND LUG, BURNDY L125HP OR T&B L125HP-BB	1.000 EA
10XN3118K12	5/16-18 X .75 GRADE 5, ZINC PLATED	1.000 EA

Product Information Packet: VDRX251544T - 15HP,1765//1470RPM,3PH,60/50HZ,254TC,XPF

HW1001A31	LOCKWASHER 5/16, ZINC PLT.591 OD, .319 I	1.000 EA
09CB1502A01P	CONDUIT BOX LID MACH. GROUP C MTRS W/EP	1.000 EA
84XN5013J24	1/2-13 X 1-1/2 HEX SOCKET HD CAP SCREW	6.000 EA
HW1001A50	LOCKWASHER 1/2, ZINC PLT, .879 OD, .509 I	6.000 EA
MG1025G29	WILKOFASST, 789.229, DARK CHARCOAL GRAY	0.070 GA
PK6014	STEEL STRAP FOR 309-312 BASELESS MOTORS	3.000 EA
40PA1017	PACKAGING GROUP, 09 VERT LARGE FLANGE	1.000 EA
19XW3118A08	.31-18 X .50 HEX WASHER HEAD TAPTITE II	3.000 EA
HW2501G25	KEY, 3/8 SQ X 2.875	1.000 EA
MJ5000A09	EFI KIT #1578 (400 ML CARTRIDGE OF EFI	0.031 EA
MJ5001A27	32220KN GRAY SEALER *MIN BUY 4 QTS=1GAL	0.001 QT

AC Induction Motor Performance Data

Record # 51149

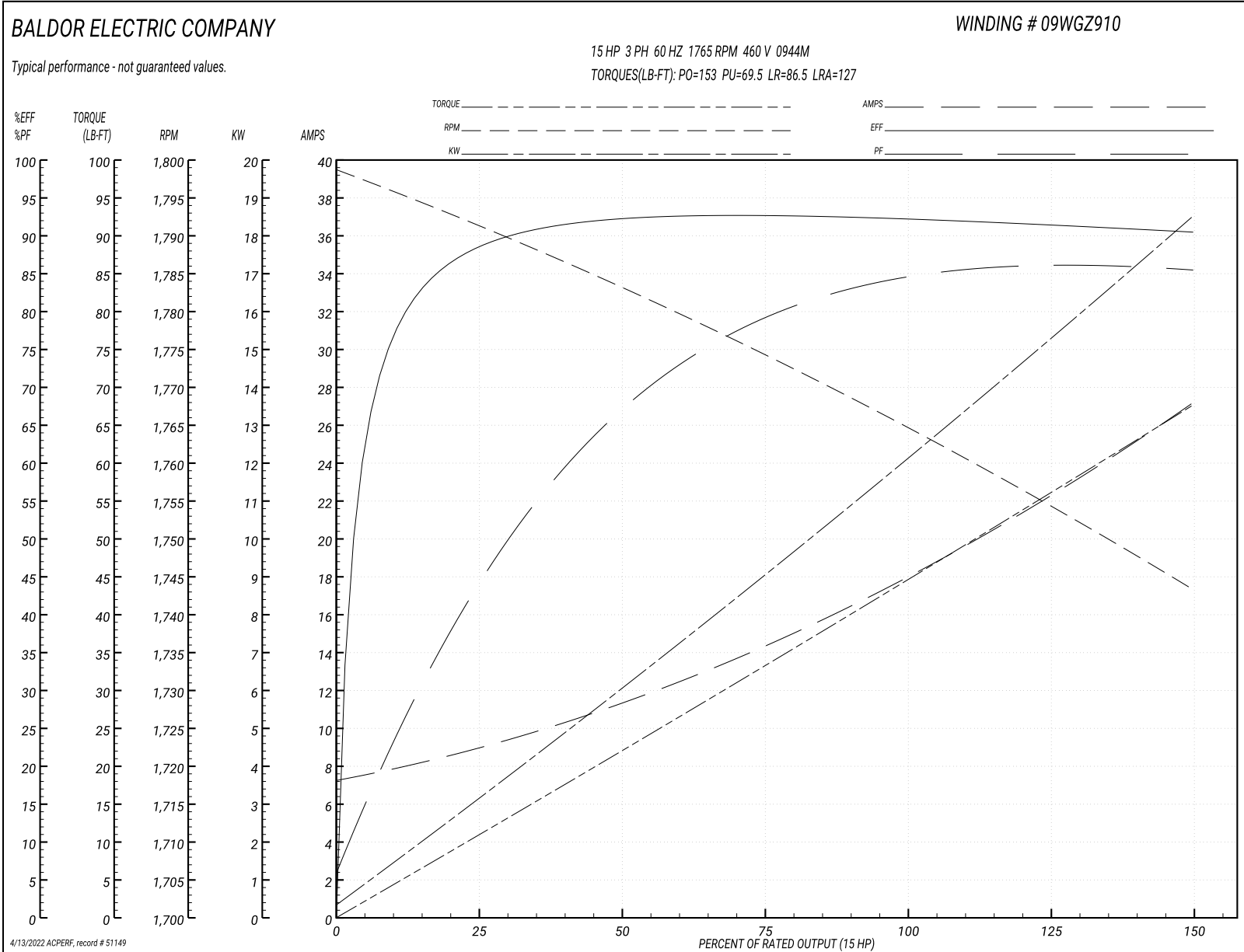
Typical performance - not guaranteed values

Winding: 09WGZ910-R044		Type: 0944M		Enclosure: XPFC	
Nameplate Data			460 V, 60 Hz: High Voltage Connection		
Rated Output (HP)	15	Full Load Torque	44.5 LB-FT		
Volts	230/460	Start Configuration	direct on line		
Full Load Amps	36.2/18.1	Breakdown Torque	153 LB-FT		
R.P.M.	1765	Pull-up Torque	69.5 LB-FT		
Hz	60 Phase	3	Locked-rotor Torque	86.5 LB-FT	
NEMA Design Code	A	KVA Code	H	Starting Current	127 A
Service Factor (S.F.)	1		No-load Current	7.56 A	
NEMA Nom. Eff.	92.4	Power Factor	83	Line-line Res. @ 25°C	0.59555 Ω
Rating - Duty	40C AMB-CONT		Temp. Rise @ Rated Load	54°C	
			Locked-rotor Power Factor	33	
			Rotor inertia	1.92 LB-FT ²	

Load Characteristics 460 V, 60 Hz, 15 HP

% of Rated Load	25	50	75	100	125	150
Power Factor	45	69	79	83	85	87
Efficiency	88.2	92.2	92.7	92.4	91.5	90.4
Speed	1791.3	1783.1	1774	1765.2	1754.6	1743.1
Line amperes	8.62	11	14.5	18.1	22.6	26.9

Performance Graph at 460V, 60Hz, 15.0HP Typical performance - Not guaranteed values



AC Induction Motor Performance Data

Record # 75708

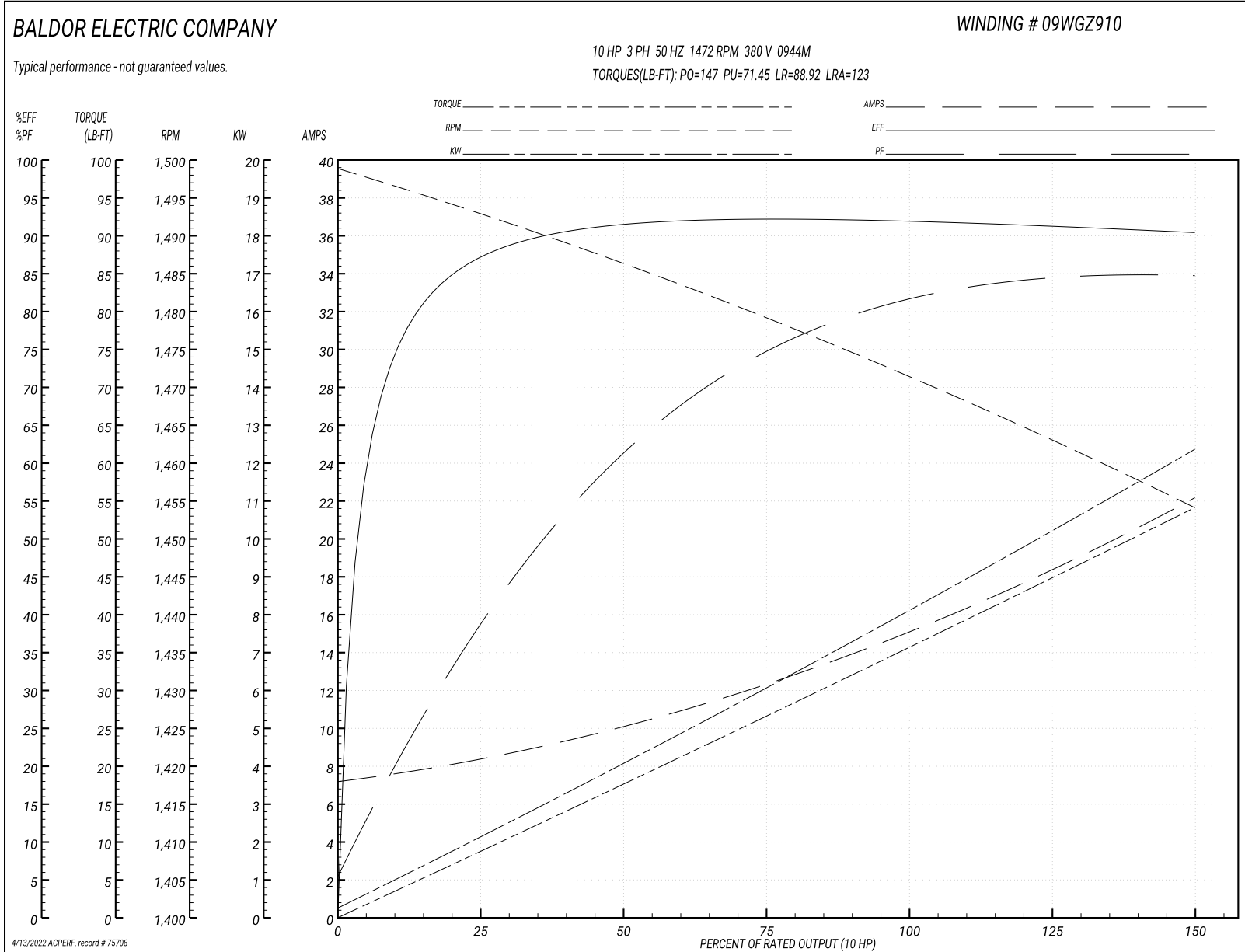
Typical performance - not guaranteed values

Winding: 09WGZ910-R063		Type: 0944M		Enclosure: XPFC	
Nameplate Data			380 V, 50 Hz: High Voltage Connection		
Rated Output (HP)	15//10		Full Load Torque	35.63 LB-FT	
Volts	230/460//190/380		Start Configuration	direct on line	
Full Load Amps	36.2/18.1//30.4/15.2		Breakdown Torque	147 LB-FT	
R.P.M.	1765//1470		Pull-up Torque	71.45 LB-FT	
Hz	60//50	Phase	3	Locked-rotor Torque	88.92 LB-FT
NEMA Design Code	A	KVA Code	H	Starting Current	123 A
Service Factor (S.F.)	1		No-load Current	7.42 A	
NEMA Nom. Eff.	92.4	Power Factor	83	Line-line Res. @ 25°C	0.553 Ω
Rating - Duty	40C AMB-CONT		Temp. Rise @ Rated Load	41°C	
S.F. Amps			Temp. Rise @ S.F. Load	51°C	
			Locked-rotor Power Factor	36.5	
			Rotor inertia	1.92 LB-FT ²	

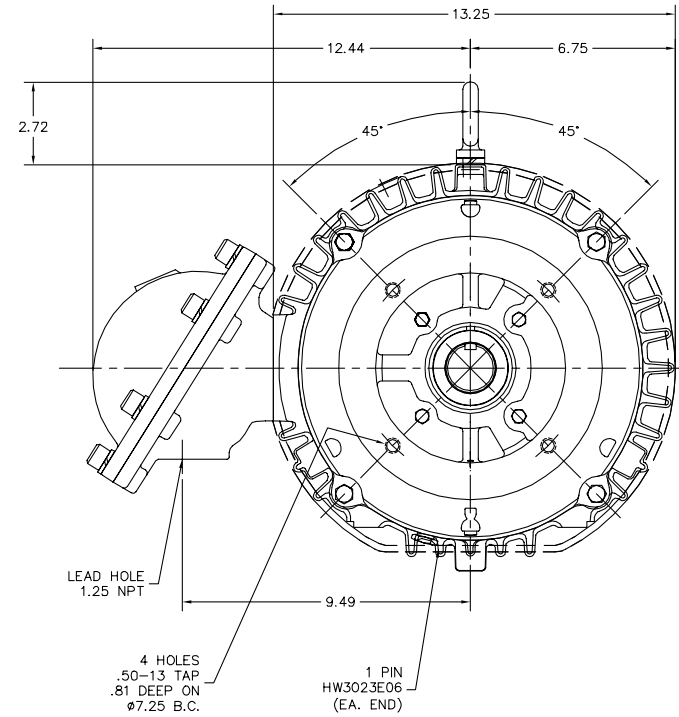
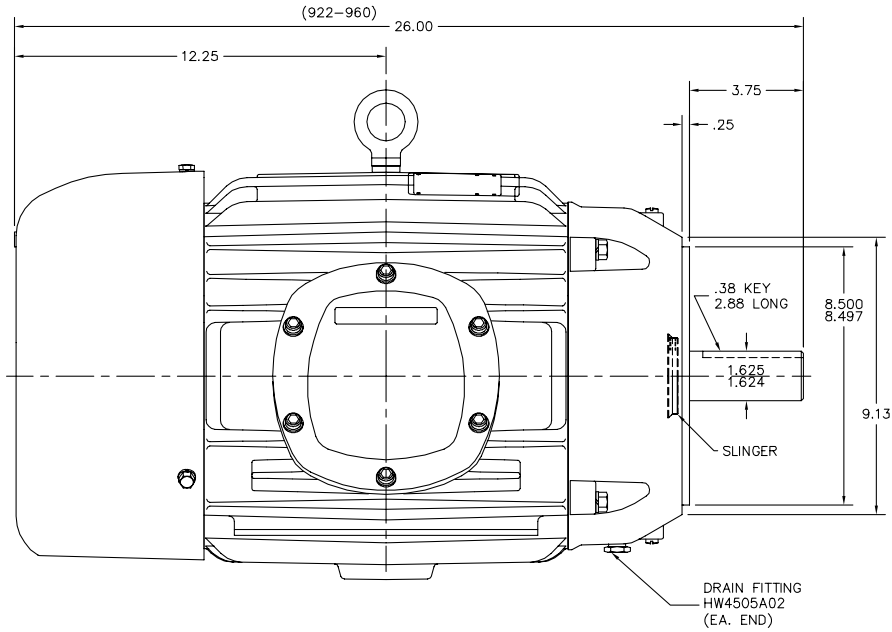
Load Characteristics 380 V, 50 Hz, 10 HP

% of Rated Load	25	50	75	100	125	150
Power Factor	40	63	74	81	83	86
Efficiency	86.7	91.4	92.1	92	91.2	90.3
Speed	1493	1486	1479	1472	1463	1454
Line amperes	8.14	9.82	12.46	15.18	18.67	21.93

Performance Graph at 380V, 50Hz, 10.0HP Typical performance - Not guaranteed values



09LYF525



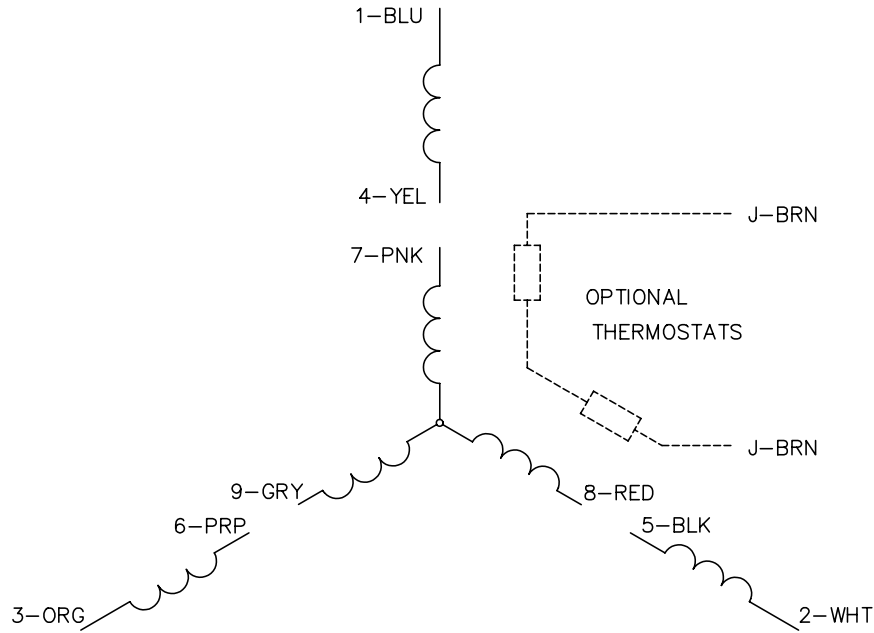
09LYF525

CUSTOMER IS RESPONSIBLE FOR DETERMINING THAT THE PRODUCT WILL PERFORM SUITABLY IN THE INTENDED APPLICATION.

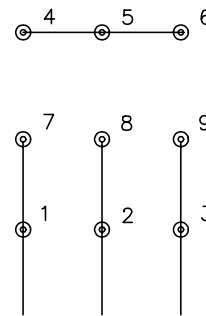
REV. DESC: REMOVE GREASER & RELIEF LEADER		
REV. LTR: F	VERSION: 04	TDR: 000001185862
FILE: \AAA\00084\120	REVISED: 04:12:06 02/22/2022	BY: USJECER
MTL: -		

BALDOR - RELIANCE®
 VERT XPFC 254-6TC, CL.I GRP.C&D ONLY, DRILL RIG
 SH 1 of 1

CD0005

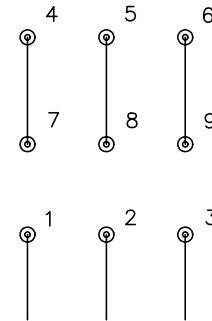


LOW VOLTAGE
(2Y)



LINE

HIGH VOLTAGE
(1Y)



LINE

NOTES:

1. INTERCHANGE ANY TWO LINE LEADS TO REVERSE ROTATION.
2. OPTIONAL THERMOSTATS ARE PROVIDED WHEN SPECIFIED.
3. ACTUAL NUMBER OF INTERNAL PARALLEL CIRCUITS MAY BE A MULTIPLE OF THOSE SHOWN ABOVE.
4. LEAD COLORS ARE OPTIONAL. LEADS MUST ALWAYS BE NUMBERED AS SHOWN.

REV. DESC: REVISE TO SHOW OPTIONAL COLORS			
REV. LTR: E	BY: JLP	REVISED: 01/19/99 10:15	TDR: 0171435
9000D		FILE: AAA00005140	MDL: -
		MTL: -	

BALDOR ELECTRIC Co.

3PH, DV, 9 LEADS

CD0005

Marketing maintained PDF of MN416:

<http://www.baldor.com/support/Literature/Load.ashx/MN416?ManNumber=MN416>