

**BALDOR® • RELIANCE** 

**Product Information Packet**

**VECP3584T-4**

**1.5HP, 1760RPM, 3PH, 60HZ, 145TC, 0530M, TEFC**

Part Detail							
Revision:	T	Status:	PRD/A	Change #:		Proprietary:	No
Type:	AC	Elec. Spec:	05WGW812	CD Diagram:	CD0006	Mfg Plant:	
Mech. Spec:	05F006	Layout:	05LYF006	Poles:	04	Created Date:	02-20-2011
Base:	N	Eff. Date:	03-10-2021	Leads:	3#18		

Specs			
Catalog Number:	VECP3584T-4	Insulation Class:	F
Enclosure:	TEFC	Inverter Code:	Inverter Duty
Frame:	145TC	KVA Code:	L
Frame Material:	Iron	Lifting Lugs:	Standard Lifting Lugs
Output @ Frequency:	1.500 HP @ 60 HZ	Locked Bearing Indicator:	Locked Bearing
Synchronous Speed @ Frequency:	1800 RPM @ 60 HZ	Motor Lead Quantity/Wire Size:	3 @ 18 AWG
Voltage @ Frequency:	460.0 V @ 60 HZ	Motor Lead Exit:	Ko Box
XP Class and Group:	CLI GP A,B,C,D	Motor Lead Termination:	Flying Leads
XP Division:	Division II	Motor Type:	0530M
Agency Approvals:	CSA EEV	Mounting Arrangement:	F1
	UR	Power Factor:	76
	CSA	Product Family:	Chemical Processing (Not DC)
	CCSA US	Pulley End Bearing Type:	Ball
Auxillary Box:	No Auxillary Box	Pulley Face Code:	C-Face
Auxillary Box Lead Termination:	None	Pulley Shaft Indicator:	Standard
Base Indicator:	No Mounting	Rodent Screen:	None
Bearing Grease Type:	Polyrex EM (-20F +300F)	Shaft Extension Location:	Pulley End
Blower:	None	Shaft Ground Indicator:	No Shaft Grounding

<b>Constant Torque Speed Range:</b>	1.3	<b>Shaft Rotation:</b>	Reversible
<b>Current @ Voltage:</b>	2.100 A @ 460.0 V	<b>Shaft Slinger Indicator:</b>	Shaft Slinger
<b>Design Code:</b>	B	<b>Speed Code:</b>	Single Speed
<b>Drip Cover:</b>	Drip Cover	<b>Motor Standards:</b>	NEMA
<b>Duty Rating:</b>	CONT	<b>Starting Method:</b>	Direct on line
<b>Electrically Isolated Bearing:</b>	Not Electrically Isolated	<b>Thermal Device - Bearing:</b>	None
<b>Feedback Device:</b>	NO FEEDBACK	<b>Thermal Device - Winding:</b>	None
<b>Front Face Code:</b>	Standard	<b>Vibration Sensor Indicator:</b>	No Vibration Sensor
<b>Front Shaft Indicator:</b>	None	<b>Winding Thermal 1:</b>	None
<b>Heater Indicator:</b>	No Heater	<b>Winding Thermal 2:</b>	None
		<b>XP Temp Code:</b>	T4

<b>Nameplate NP3258E</b>										
<b>CAT.NO.</b>	VECP3584T-4									
<b>SPEC.</b>	05F006W812G1									
<b>HP</b>	1.5	TE								
<b>VOLTS</b>	460									
<b>AMP</b>	2.1									
<b>RPM</b>	1760									
<b>FRAME</b>	145TC				<b>HZ</b>	60		<b>PH</b>	3	
<b>SER.F.</b>	1.15			<b>CODE</b>	L		<b>DES</b>	B		
<b>RATING</b>	40C AMB-CONT									
<b>SN</b>										
<b>DE</b>	6205				<b>ODE</b>	6205				
<b>NEMA-NOM-EFF</b>	88.5				<b>PF</b>	76				
<b>G.MIN.EFF</b>	86.5				<b>CC</b>	010A				
<b>T. CODE</b>	T4				<b>T=</b>	135				
								<b>CL</b>	F	

<b>Nameplate NP3261E</b>			
<b>SPEC.</b>	05F006W812G1		
<b>D.E. BRG.</b>	25BC02XP30X		
<b>O.D.E. BRG.</b>	25BC02XP30X		
<b>GREASE</b>	POLYREX EM		
<b>RPM MAX</b>	2700	<b>MAX. KVAR</b>	0.47
<b>BLANK</b>			
<b>INV. TYPE</b>	PWM		
<b>T=</b>	135		
<b>C HP FR</b>	60		
<b>CT HZ FROM</b>	1.3		
<b>VT HZ FROM</b>	0-		
<b>HTR-VOLTS</b>			
<b>HTR-WATTS</b>			
<b>C HP TO</b>	90		
<b>CT HZ TO</b>	60		
<b>VT HZ TO</b>	60		
<b>HTR-AMPS</b>			
<b>MAX. SPACE HEATER TEMP.</b>			

Parts List		
Part Number	Description	Quantity
SA217865	SA 05F006W812G1	1.000 EA
RA205045	RA 05F006W812G1	1.000 EA
34FN3002B01	EXTERNAL FAN, PLASTIC, .637/.639 HUB W/	1.000 EA
HW3201A05	3/8-16 EYEBOLT	1.000 EA
06CB1000A02G	CONDUIT BOX, MACH GRAY	1.000 EA
RM1016	LEAD SEPARATOR GASKET - 305/306 C.P.MOTO	1.000 EA
51XW2520A12	SCREW, HEX SER SLT HD, ZN, 1/4-20 X .75	2.000 EA
11XW1032G06	10-32 X .38, TAPTITE II, HEX WSHR SLTD U	1.000 EA
HW3001B01	BRASS CUP WASHER, FOR #10 SCREW	1.000 EA
10XN2520S06	1/4 20X3/8 HX HD CAP S.S.	2.000 EA
WD1000B16	T&B CX70TN OR L70P TERMINAL LUG	1.000 EA
35EP1102B03G	FREP TEFC 205 BRG,GRSR,RLF,.125 NPT DRAI	1.000 EA
HW4500A19	1/4-28X1/4 SLOTTED PLUG F/S	1.000 EA
HW4500A17	317400 ALEMITE GREASE RELIEF	1.000 EA
HA4054	SHORT T-DRAIN FITTING, .125" N.P.T.	1.000 EA
HW5100A05	WVY WSHR F/205 & 304 BRGS	1.000 EA
35EP1329A16G	PUEP ENCL 143-5TC 205 BRG,GRSR,RLF,NPT D	1.000 EA
HW4500A19	1/4-28X1/4 SLOTTED PLUG F/S	1.000 EA
HW4500A17	317400 ALEMITE GREASE RELIEF	1.000 EA
HA4054	SHORT T-DRAIN FITTING, .125" N.P.T.	1.000 EA
51XN1032A20	10-32 X 1 1/4 HX WS SL SR	2.000 EA
HA3100A28	THRUBOLT 10-32 X 8.187	4.000 EA
51XB1214A16	12-14X1.00 HXWSSLD SERTYB	1.000 EA
35FH1000A04G	FAN COVER 35FH1000 - (GRAY)	1.000 EA

Parts List (continued)		
Part Number	Description	Quantity
10XN2520A18	1/4-20 X 1-1/8 HEX CAP SCREW.	3.000 EA
HW1001A25	LOCKWASHER 1/4, ZINC PLT .493 OD, .255 I	3.000 EA
HW4600B32SP	V-RING SLINGER 1.000 X 1.540 X .24 VITON	1.000 EA
WD4100A03	DE-750 HEYCO PLUG 62MP0750 MICRO PLASTIC	1.000 EA
35FH4500A01	DRIP COVER, STAMPED X - W/PRIMED	1.000 EA
HA2001A13	35-10103 SPACER WELKER	3.000 EA
51XN1032A20	10-32 X 1 1/4 HX WS SL SR	3.000 EA
06CB1502G	LIPPED CONDUIT BOX LID CAST, GRAY EPOXY	1.000 EA
06GS1003	GASKET, KOBX LID, 1/8" THICK BLACK NEOPR	1.000 EA
10XN2520A12	1/4-20 X 3/4 HEX HEAD CAP	2.000 EA
HW1001A25	LOCKWASHER 1/4, ZINC PLT .493 OD, .255 I	2.000 EA
HA1005A03SP	SLINGER, OD 1.750, ID .938, 205 BRG	1.000 EA
HW2501D13	KEY, 3/16 SQ X 1.375	1.000 EA
HA7000A01	KEY RETAINER 7/8" DIA SHAFT	1.000 EA
LB1115N	LABEL,LIFTING DEVICE (ON ROLLS)	1.000 EA
MJ5001A27	32220KN GRAY SEALER *MIN BUY 4 QTS=1GAL	0.001 QT
85XU0407S04	4X1/4 U DRIVE PIN STAINLESS	2.000 EA
LB1002N	LABEL,MARINE DUTY (ON ROLLS)	1.000 EA
MJ1000A02	GREASE, MOBIL POLYREX EM - 124047	0.050 LB
MG1025N19	WILKOFASST, 778.50, RELIANCE BLUE-GREEN	0.022 GA
LB1119N	WARNING LABEL	1.000 EA
LC0006	CONNECTION LABEL	1.000 EA
LB1449	DIV-2/NEC WARNING LABEL	1.000 EA
NP3258E	SS CP SUPER-E DIV-2 UL CSA-C US EEV CC	1.000 EA

Product Information Packet: VECP3584T-4 - 1.5HP,1760RPM,3PH,60HZ,145TC,0530M,TEFC

NP3261E	SS CP SUPER-E AUX DATA INFORMATION	1.000 EA
85XU0407S04	4X1/4 U DRIVE PIN STAINLESS	2.000 EA
36PA1000	PKG GRP, PRINT PK1016A06	1.000 EA
PK3082	STYROFOAM CRADLE	1.000 EA
MN416A01	TAG-INSTAL-MAINT no wire (2100/bx) 4/22	1.000 EA



**AC Induction Motor Performance Data**

Record # 47111

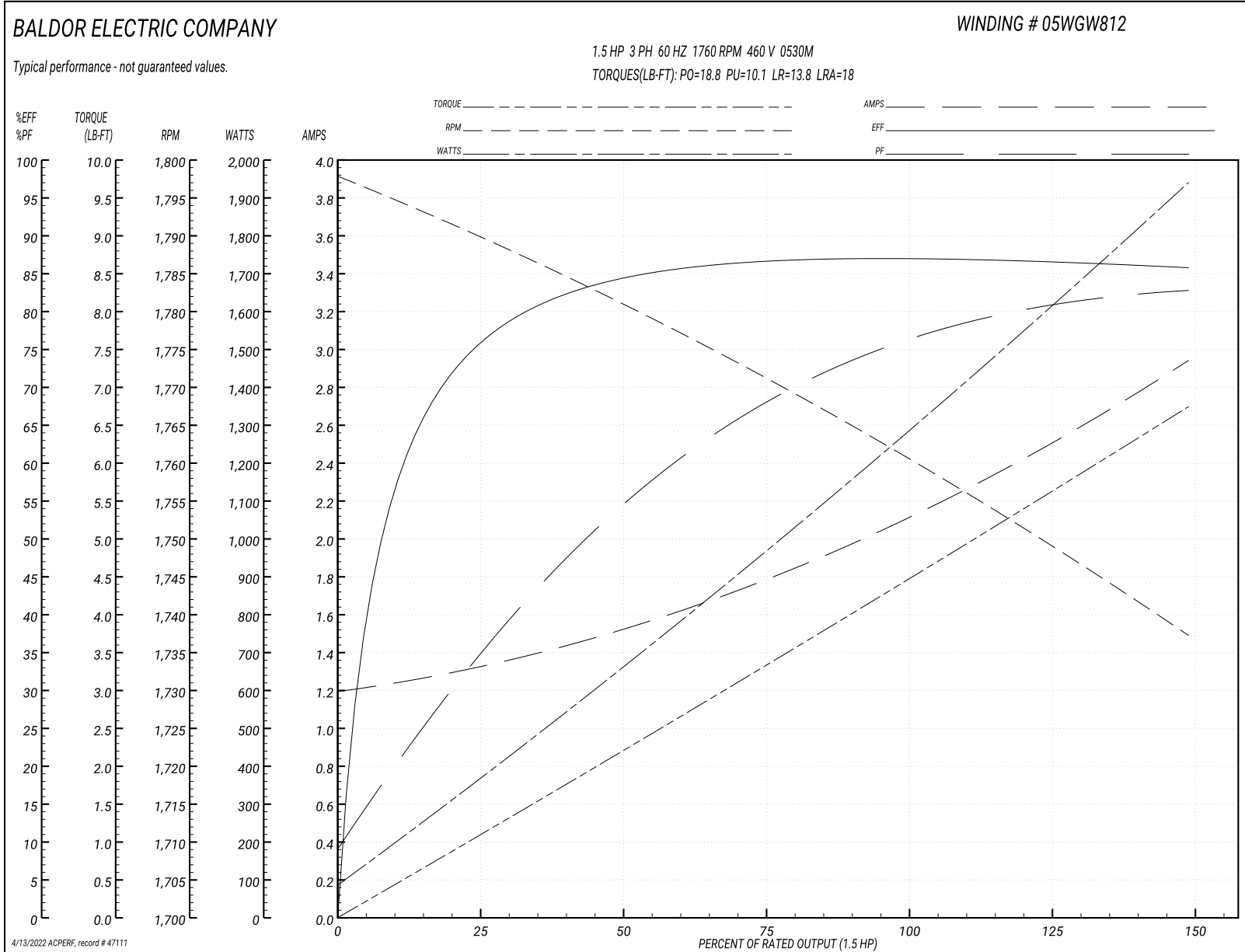
Typical performance - not guaranteed values

Winding: 05WG812-R045		Type: 0530M	Enclosure: TEFC	
<b>Nameplate Data</b>			<b>460 V, 60 Hz: Single Voltage Motor</b>	
Rated Output (HP)	1.5	Full Load Torque	4.49 LB-FT	
Volts	460	Start Configuration	direct on line	
Full Load Amps	2.1	Breakdown Torque	18.8 LB-FT	
R.P.M.	1760	Pull-up Torque	10.1 LB-FT	
Hz	60 Phase	Locked-rotor Torque	13.8 LB-FT	
NEMA Design Code	B KVA Code	Starting Current	18 A	
Service Factor (S.F.)	1.15	No-load Current	1.21 A	
NEMA Nom. Eff.	88.5 Power Factor	Line-line Res. @ 25°C	9.17 Ω	
Rating - Duty	40C AMB-CONT	Temp. Rise @ Rated Load	31°C	
S.F. Amps		Temp. Rise @ S.F. Load	36°C	
		Locked-rotor Power Factor	47.8	
		Rotor inertia	0.177 LB-FT <sup>2</sup>	

**Load Characteristics 460 V, 60 Hz, 1.5 HP**

% of Rated Load	25	50	75	100	125	150	S.F.
Power Factor	35	55	67	76	80	83	78
Efficiency	74.7	84.1	86.3	87.5	86.8	85.7	88.3
Speed	1790	1781	1772	1760	1750	1737	1755
Line amperes	1.3	1.51	1.78	2.12	2.51	2.93	2.33

Performance Graph at 460V, 60Hz, 1.5HP Typical performance - Not guaranteed values



**AC Induction Motor Performance Data**

Record # 72726

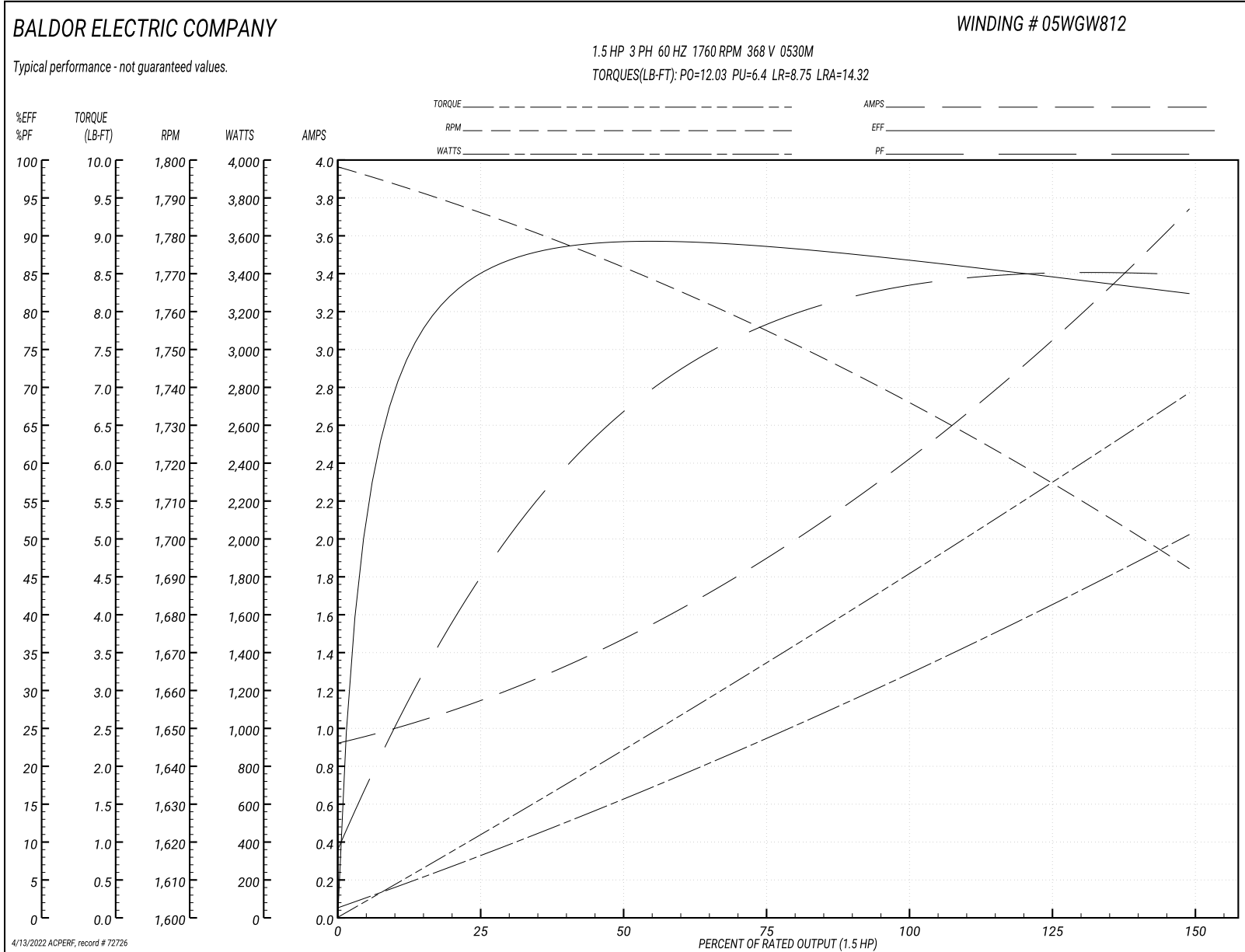
Typical performance - not guaranteed values

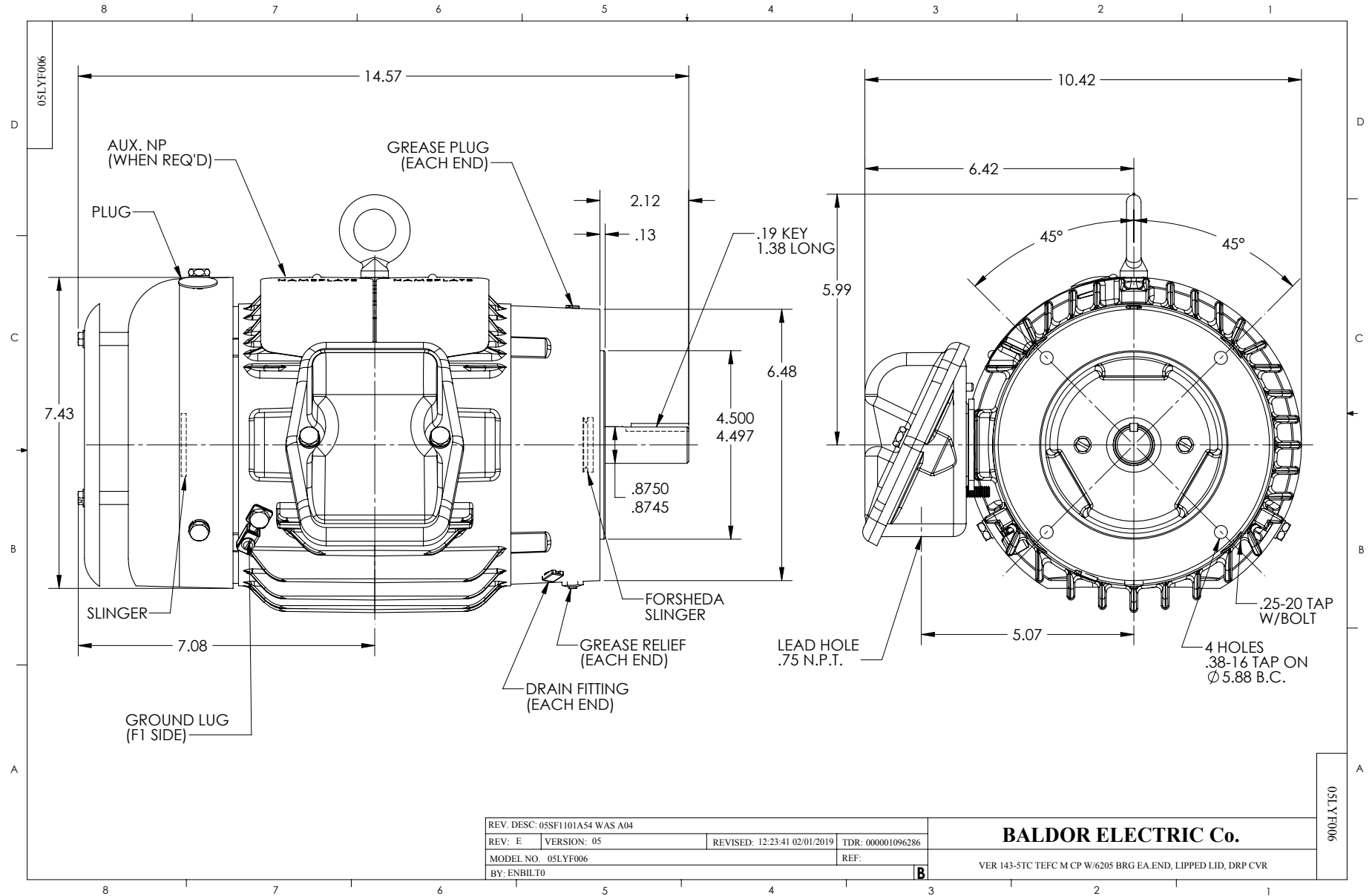
Winding: 05WGW812-R045		Type: 0530M	Enclosure: TEFC
<b>Nameplate Data</b>		<b>368 V, 60 Hz: Single Voltage Motor</b>	
Rated Output (HP)	1.5	Full Load Torque	4.55 LB-FT
Volts	460	Start Configuration	direct on line
Full Load Amps	2.1	Breakdown Torque	12.03 LB-FT
R.P.M.	1760	Pull-up Torque	6.4 LB-FT
Hz	60 Phase	Locked-rotor Torque	8.75 LB-FT
NEMA Design Code	B KVA Code	Starting Current	14.32 A
Service Factor (S.F.)	1.15	No-load Current	0.947 A
NEMA Nom. Eff.	88.5 Power Factor	Line-line Res. @ 25°C	9.17 Ω
Rating - Duty	40C AMB-CONT	Temp. Rise @ Rated Load	35°C
S.F. Amps		Temp. Rise @ S.F. Load	45°C
		Locked-rotor Power Factor	47.8
		Rotor inertia	0.177 LB-FT <sup>2</sup>

**Load Characteristics 368 V, 60 Hz, 1.5 HP**

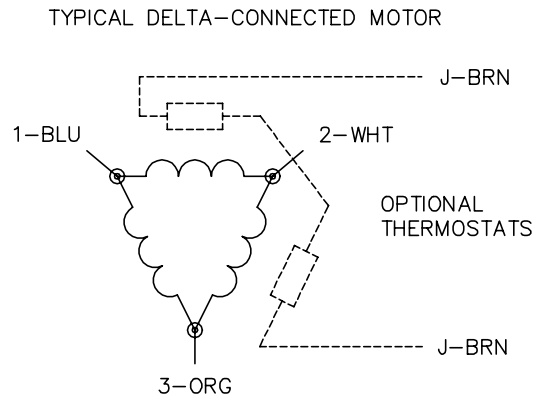
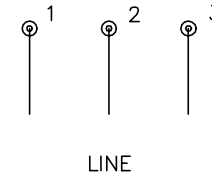
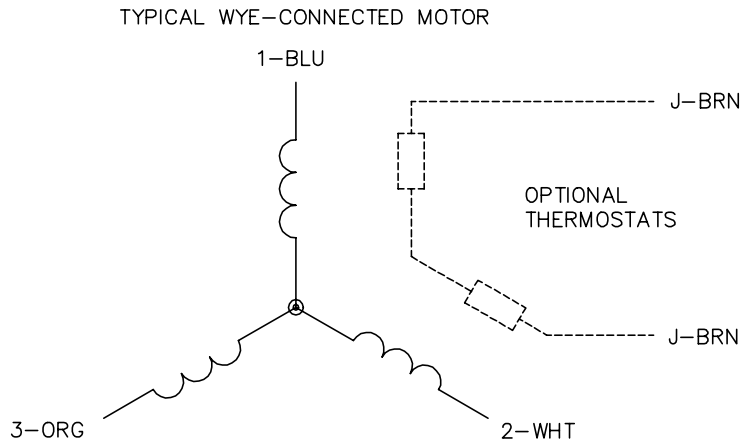
% of Rated Load	25	50	75	100	125	150	S.F.
Power Factor	46	68	77	83	84	85	84
Efficiency	83	88.4	88.2	87.5	84.9	82	85.9
Speed	1786	1771	1756	1736	1717	1691	1725
Line amperes	1.1	1.45	1.9	2.43	3.04	3.73	2.8

Performance Graph at 368V, 60Hz, 1.5HP Typical performance - Not guaranteed values





CD0006



NOTES:

1. THREE LEAD MOTOR MAY BE EITHER WYE CONNECTED OR DELTA CONNECTED.
2. INTERCHANGE ANY TWO LINE LEADS TO REVERSE ROTATION.
3. OPTIONAL THERMOSTATS ARE PROVIDED WHEN SPECIFIED.
4. ACTUAL NUMBER OF INTERNAL PARALLEL CIRCUITS MAY VARY.
5. LEAD COLORS ARE OPTIONAL. LEADS MUST BE NUMBERED AS SHOWN.

CD0006

REV. DESC: ADD CLASS CONN00000007		
REV. LTR: E	VERSION: 01	TDR: 000001099922
FILE: \AAA\00005\141	REVISED: 10:24:49 02/19/2019	BY: ENBRIRO
MTL: -	© □	

**BALDOR - RELIANCE®**

3PH, SV, 3 LEADS, WYE OR DELTA CONNECTED

SH 1 of 1