

**BALDOR® • RELIANCE** 

**Product Information Packet**

**VECP3584T**

**1.5HP, 1760RPM, 3PH, 60HZ, 145TC, 0530M, TEFC**

Part Detail							
Revision:	Z	Status:	PRD/A	Change #:		Proprietary:	No
Type:	AC	Elec. Spec:	05WGX008	CD Diagram:	CD0005	Mfg Plant:	
Mech. Spec:	05F006	Layout:	05LYF006	Poles:	04	Created Date:	03-06-2008
Base:	N	Eff. Date:	03-10-2021	Leads:	9#18		

Specs			
Catalog Number:	VECP3584T	Heater Indicator:	No Heater
Enclosure:	TEFC	Insulation Class:	F
Frame:	145TC	Inverter Code:	Inverter Ready
Frame Material:	Iron	KVA Code:	L
Output @ Frequency:	1.500 HP @ 60 HZ	Lifting Lugs:	Standard Lifting Lugs
Synchronous Speed @ Frequency:	1800 RPM @ 60 HZ	Locked Bearing Indicator:	Locked Bearing
Voltage @ Frequency:	230.0 V @ 60 HZ	Motor Lead Quantity/Wire Size:	9 @ 18 AWG
	208.0 V @ 60 HZ	Motor Lead Exit:	Ko Box
	460.0 V @ 60 HZ	Motor Lead Termination:	Flying Leads
XP Class and Group:	CLI GP A,B,C,D	Motor Type:	0530M
XP Division:	Division II	Mounting Arrangement:	F1
Agency Approvals:	UR	Power Factor:	76
	CSA EEV	Product Family:	Chemical Processing (Not DC)
	CSA	Pulley End Bearing Type:	Ball
Auxillary Box:	No Auxillary Box	Pulley Face Code:	C-Face
Auxillary Box Lead Termination:	None	Pulley Shaft Indicator:	Standard
Base Indicator:	No Mounting	Rodent Screen:	None
Bearing Grease Type:	Polyrex EM (-20F +300F)	Shaft Extension Location:	Pulley End

<b>Blower:</b>	None	<b>Shaft Ground Indicator:</b>	No Shaft Grounding
<b>Constant Torque Speed Range:</b>	1.3	<b>Shaft Rotation:</b>	Reversible
<b>Current @ Voltage:</b>	4.200 A @ 230.0 V	<b>Shaft Slinger Indicator:</b>	Shaft Slinger
	4.600 A @ 208.0 V	<b>Speed Code:</b>	Single Speed
	2.100 A @ 460.0 V	<b>Motor Standards:</b>	NEMA
<b>Design Code:</b>	B	<b>Starting Method:</b>	Direct on line
<b>Drip Cover:</b>	Drip Cover	<b>Thermal Device - Bearing:</b>	None
<b>Duty Rating:</b>	CONT	<b>Thermal Device - Winding:</b>	None
<b>Electrically Isolated Bearing:</b>	Not Electrically Isolated	<b>Vibration Sensor Indicator:</b>	No Vibration Sensor
<b>Feedback Device:</b>	NO FEEDBACK	<b>Winding Thermal 1:</b>	None
<b>Front Face Code:</b>	Standard	<b>Winding Thermal 2:</b>	None
<b>Front Shaft Indicator:</b>	None	<b>XP Temp Code:</b>	T4

Nameplate NP3258E			
CAT.NO.	VECP3584T		
SPEC.	05F006X008G1		
HP	1.5	TE	
VOLTS	208-230/460		
AMP	4.6-4.2/2.1		
RPM	1760		
FRAME	145TC	HZ	60
SER.F.	1.15	CODE	L DES B
RATING	40C AMB-CONT		
SN			
DE	6205	ODE	6205
NEMA-NOM-EFF	88.5	PF	76
G.MIN.EFF	86.5	CC	010A
T. CODE	T4	T=	135
		PH	3
		CL	F

<b>Nameplate NP3261E</b>			
<b>SPEC.</b>	05F006X008G1		
<b>D.E. BRG.</b>	25BC02XP30X		
<b>O.D.E. BRG.</b>	25BC02XP30X		
<b>GREASE</b>	POLYREX EM		
<b>RPM MAX</b>	2700	<b>MAX. KVAR</b>	N/A
<b>BLANK</b>			
<b>INV. TYPE</b>	PWM		
<b>T=</b>	135		
<b>C HP FR</b>	60	<b>C HP TO</b>	90
<b>CT HZ FROM</b>	1.3	<b>CT HZ TO</b>	60
<b>VT HZ FROM</b>	0-	<b>VT HZ TO</b>	60
<b>HTR-VOLTS</b>		<b>HTR-AMPS</b>	
<b>HTR-WATTS</b>		<b>MAX. SPACE HEATER TEMP.</b>	

Parts List		
Part Number	Description	Quantity
SA169125	SA 05F006X008G1	1.000 EA
RA157408	RA 05F006X008G1	1.000 EA
34FN3002B01	EXTERNAL FAN, PLASTIC, .637/.639 HUB W/	1.000 EA
HW3201A05	3/8-16 EYEBOLT	1.000 EA
06CB1000A02G	CONDUIT BOX, MACH GRAY	1.000 EA
RM1016	LEAD SEPARATOR GASKET - 305/306 C.P.MOTO	1.000 EA
51XW2520A12	SCREW, HEX SER SLT HD, ZN, 1/4-20 X .75	2.000 EA
11XW1032G06	10-32 X .38, TAPTITE II, HEX WSHR SLTD U	1.000 EA
HW3001B01	BRASS CUP WASHER, FOR #10 SCREW	1.000 EA
10XN2520S06	1/4 20X3/8 HX HD CAP S.S.	2.000 EA
WD1000B16	T&B CX70TN OR L70P TERMINAL LUG	1.000 EA
35EP1102B03G	FREP TEFC 205 BRG,GRSR,RLF,.125 NPT DRAI	1.000 EA
HW4500A19	1/4-28X1/4 SLOTTED PLUG F/S	1.000 EA
HW4500A17	317400 ALEMITE GREASE RELIEF	1.000 EA
HA4054	SHORT T-DRAIN FITTING, .125" N.P.T.	1.000 EA
HW5100A05	WVY WSHR F/205 & 304 BRGS	1.000 EA
35EP1329A16G	PUEP ENCL 143-5TC 205 BRG,GRSR,RLF,NPT D	1.000 EA
HW4500A19	1/4-28X1/4 SLOTTED PLUG F/S	1.000 EA
HW4500A17	317400 ALEMITE GREASE RELIEF	1.000 EA
HA4054	SHORT T-DRAIN FITTING, .125" N.P.T.	1.000 EA
51XN1032A20	10-32 X 1 1/4 HX WS SL SR	2.000 EA
06CB1502G	LIPPED CONDUIT BOX LID CAST, GRAY EPOXY	1.000 EA
HA3100A28	THRUBOLT 10-32 X 8.187	4.000 EA
51XB1214A16	12-14X1.00 HXWSSLD SERTYB	1.000 EA

Parts List (continued)		
Part Number	Description	Quantity
35FH1000A04G	FAN COVER 35FH1000 - (GRAY)	1.000 EA
10XN2520A18	1/4-20 X 1-1/8 HEX CAP SCREW.	3.000 EA
HW1001A25	LOCKWASHER 1/4, ZINC PLT .493 OD, .255 I	3.000 EA
HW4600B32SP	V-RING SLINGER 1.000 X 1.540 X .24 VITON	1.000 EA
WD4100A03	DE-750 HEYCO PLUG 62MP0750 MICRO PLASTIC	1.000 EA
35FH4500A01	DRIP COVER, STAMPED X - W/PRIMED	1.000 EA
HA2001A13	35-10103 SPACER WELKER	3.000 EA
51XN1032A20	10-32 X 1 1/4 HX WS SL SR	3.000 EA
06GS1003	GASKET, KOBX LID, 1/8" THICK BLACK NEOPR	1.000 EA
10XN2520A12	1/4-20 X 3/4 HEX HEAD CAP	2.000 EA
HW1001A25	LOCKWASHER 1/4, ZINC PLT .493 OD, .255 I	2.000 EA
HA1005A03SP	SLINGER, OD 1.750, ID .938, 205 BRG	1.000 EA
HW2501D13	KEY, 3/16 SQ X 1.375	1.000 EA
HA7000A01	KEY RETAINER 7/8" DIA SHAFT	1.000 EA
LB1115N	LABEL,LIFTING DEVICE (ON ROLLS)	1.000 EA
MJ5001A27	32220KN GRAY SEALER *MIN BUY 4 QTS=1GAL	0.001 QT
85XU0407S04	4X1/4 U DRIVE PIN STAINLESS	2.000 EA
LB1002N	LABEL,MARINE DUTY (ON ROLLS)	1.000 EA
MJ1000A02	GREASE, MOBIL POLYREX EM - 124047	0.050 LB
MG1025N19	WILKOFASST, 778.50, RELIANCE BLUE-GREEN	0.022 GA
LC0005E01	CONN.DIA./WARNING LABEL (LC0005/LB1119N)	1.000 EA
LB1449	DIV-2/NEC WARNING LABEL	1.000 EA
NP3258E	SS CP SUPER-E DIV-2 UL CSA-C US EEV CC	1.000 EA
NP3261E	SS CP SUPER-E AUX DATA INFORMATION	1.000 EA

Product Information Packet: VECP3584T - 1.5HP,1760RPM,3PH,60HZ,145TC,0530M,TEFC

85XU0407S04	4X1/4 U DRIVE PIN STAINLESS	2.000 EA
36PA1000	PKG GRP, PRINT PK1016A06	1.000 EA
PK3082	STYROFOAM CRADLE	2.000 EA
MN416A01	TAG-INSTAL-MAINT no wire (2100/bx) 4/22	1.000 EA



**AC Induction Motor Performance Data**

Record # 47108

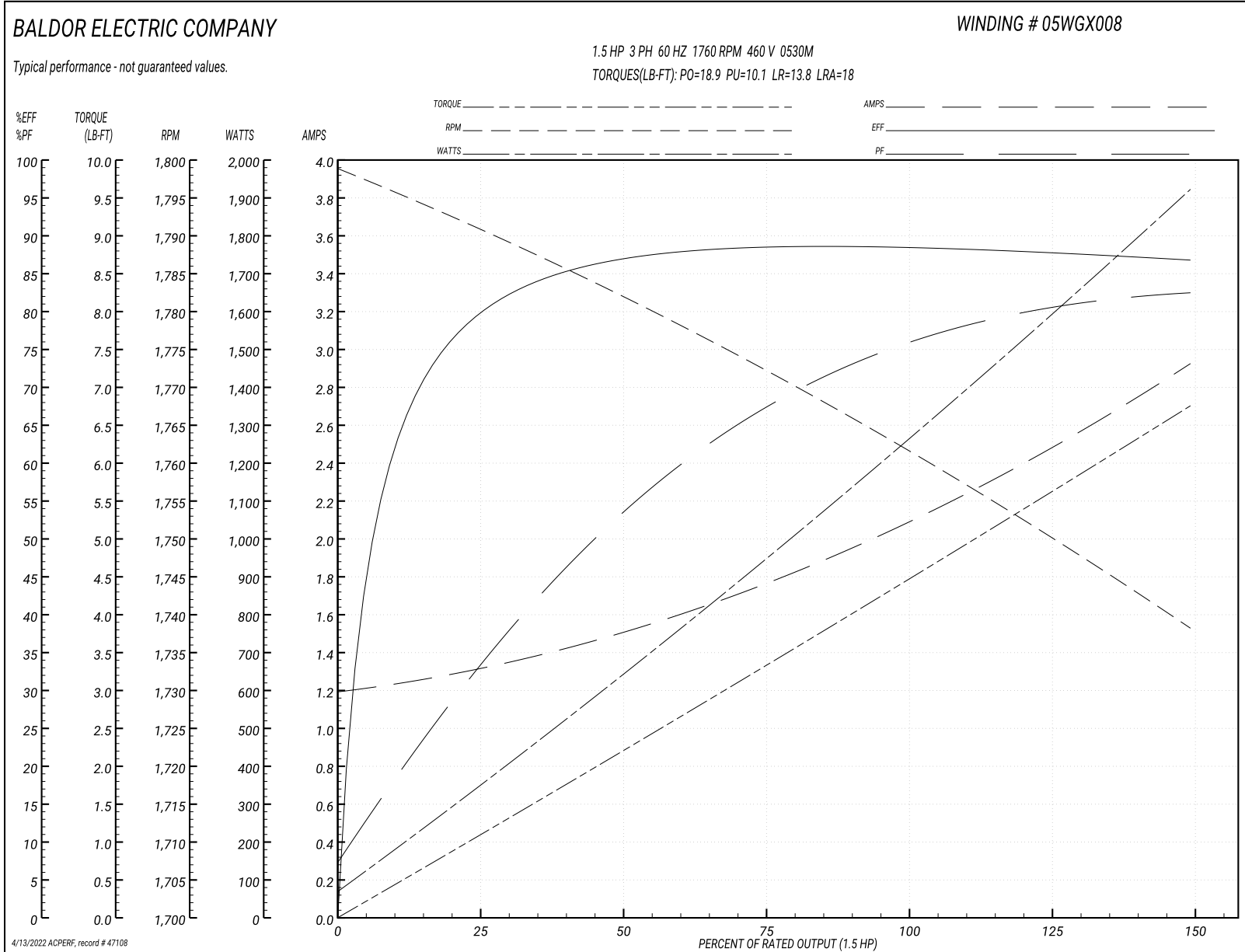
Typical performance - not guaranteed values

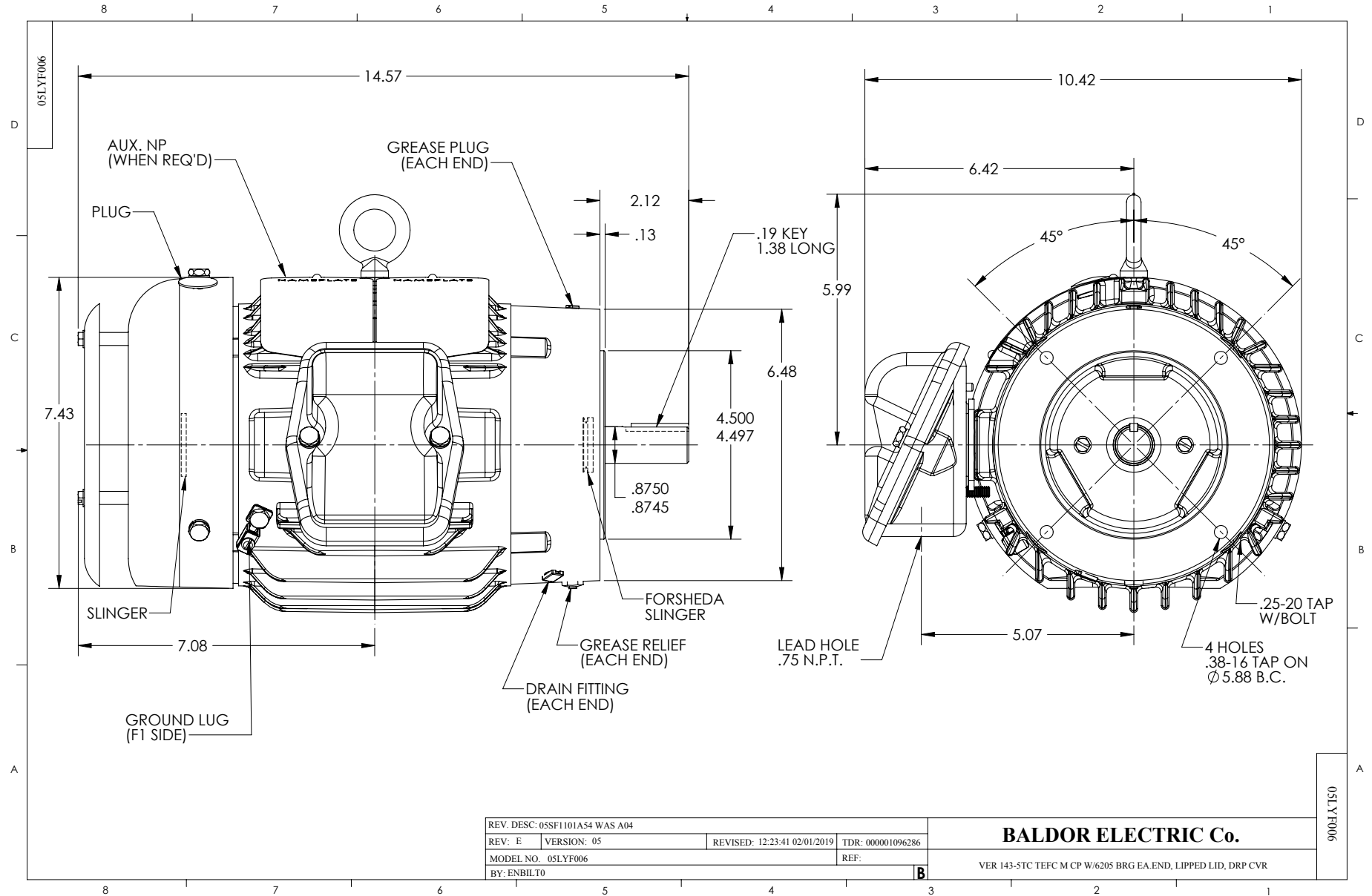
<b>Winding: 05WGX008-R032</b>		<b>Type: 0530M</b>		<b>Enclosure: TEFC</b>	
<b>Nameplate Data</b>			<b>460 V, 60 Hz: High Voltage Connection</b>		
<b>Rated Output (HP)</b>	1.5	<b>Full Load Torque</b>	4.49 LB-FT		
<b>Volts</b>	208-230/460	<b>Start Configuration</b>	direct on line		
<b>Full Load Amps</b>	4.6-4.2/2.1	<b>Breakdown Torque</b>	18.9 LB-FT		
<b>R.P.M.</b>	1760	<b>Pull-up Torque</b>	10.1 LB-FT		
<b>Hz</b>	60 <b>Phase</b>	3	<b>Locked-rotor Torque</b>	13.8 LB-FT	
<b>NEMA Design Code</b>	<b>B KVA Code</b>	L	<b>Starting Current</b>	18 A	
<b>Service Factor (S.F.)</b>	1.15		<b>No-load Current</b>	1.21 A	
<b>NEMA Nom. Eff.</b>	88.5 <b>Power Factor</b>	76	<b>Line-line Res. @ 25°C</b>	9.69 Ω	
<b>Rating - Duty</b>	40C AMB-CONT		<b>Temp. Rise @ Rated Load</b>	30°C	
<b>S.F. Amps</b>			<b>Temp. Rise @ S.F. Load</b>	37°C	

**Load Characteristics 460 V, 60 Hz, 1.5 HP**

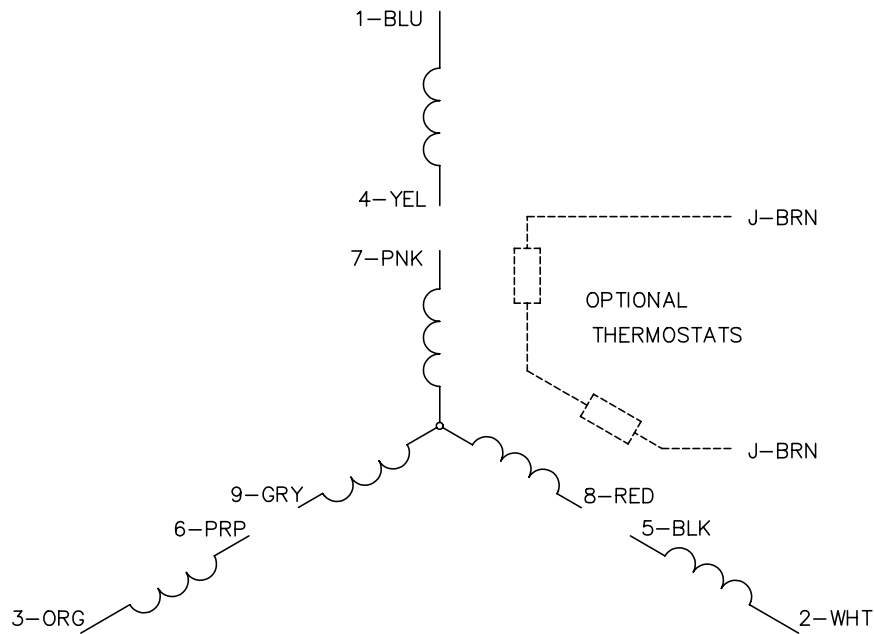
<b>% of Rated Load</b>	<b>25</b>	<b>50</b>	<b>75</b>	<b>100</b>	<b>125</b>	<b>150</b>	<b>S.F.</b>
<b>Power Factor</b>	33	54	67	75	80	83	78
<b>Efficiency</b>	78.6	86.5	88.3	89	87.9	86.7	88.3
<b>Speed</b>	1791	1782	1773	1761	1751	1738	1755
<b>Line amperes</b>	1.29	1.49	1.76	2.1	2.49	2.91	2.33

Performance Graph at 460V, 60Hz, 1.5HP Typical performance - Not guaranteed values

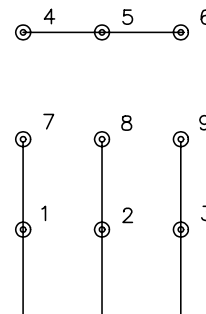




CD0005

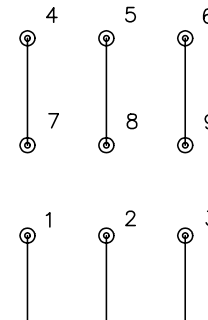


LOW VOLTAGE  
(2Y)



LINE

HIGH VOLTAGE  
(1Y)



LINE

NOTES:

1. INTERCHANGE ANY TWO LINE LEADS TO REVERSE ROTATION.
2. OPTIONAL THERMOSTATS ARE PROVIDED WHEN SPECIFIED.
3. ACTUAL NUMBER OF INTERNAL PARALLEL CIRCUITS MAY BE A MULTIPLE OF THOSE SHOWN ABOVE.
4. LEAD COLORS ARE OPTIONAL. LEADS MUST ALWAYS BE NUMBERED AS SHOWN.

REV. DESC: REVISE TO SHOW OPTIONAL COLORS

REV. LTR: E BY: JLP

REVISED: 01/19/99 10:15

TDR: 0171435

90000

FILE: AAA00005140

MDL: -

MTL: -

**BALDOR ELECTRIC Co.**

3PH, DV, 9 LEADS

CD0005