

BALDOR® • RELIANCE 

Product Information Packet

VECP3665T-4

5HP,1750RPM,3PH,60HZ,184TC,0641M,TEFC,F1

Part Detail							
Revision:	Q	Status:	PRD/A	Change #:		Proprietary:	No
Type:	AC	Elec. Spec:	06WGX203	CD Diagram:	CD0006	Mfg Plant:	
Mech. Spec:	06H480	Layout:	06LYH480	Poles:	04	Created Date:	04-05-2012
Base:	N	Eff. Date:	01-31-2022	Leads:	3#16		

Specs			
Catalog Number:	VECP3665T-4	Inverter Code:	Inverter Duty
Enclosure:	TEFC	KVA Code:	J
Frame:	184TC	Lifting Lugs:	Standard Lifting Lugs
Frame Material:	Iron	Locked Bearing Indicator:	Locked Bearing
Output @ Frequency:	5.000 HP @ 60 HZ	Motor Lead Quantity/Wire Size:	3 @ 16 AWG
Synchronous Speed @ Frequency:	1800 RPM @ 60 HZ	Motor Lead Exit:	Ko Box
Voltage @ Frequency:	460.0 V @ 60 HZ	Motor Lead Termination:	Flying Leads
XP Class and Group:	CLI GP A,B,C,D	Motor Type:	0642M
XP Division:	Division II	Mounting Arrangement:	F1
Agency Approvals:	CSA EEV	Power Factor:	79
	UR	Product Family:	Chemical Processing (Not DC)
	CSA	Pulley End Bearing Type:	Ball
	CCSA US	Pulley Face Code:	C-Face
Auxillary Box:	No Auxillary Box	Pulley Shaft Indicator:	Standard
Auxillary Box Lead Termination:	None	Rodent Screen:	None
Base Indicator:	No Mounting	RoHS Status:	ROHS COMPLIANT
Bearing Grease Type:	Polyrex EM (-20F +300F)	Shaft Extension Location:	Pulley End
Blower:	None	Shaft Ground Indicator:	No Shaft Grounding

Constant Torque Speed Range:	1.7	Shaft Rotation:	Reversible
Current @ Voltage:	6.600 A @ 460.0 V	Shaft Slinger Indicator:	Shaft Slinger
Design Code:	B	Speed Code:	Single Speed
Drip Cover:	Drip Cover	Motor Standards:	NEMA
Duty Rating:	CONT	Starting Method:	Direct on line
Electrically Isolated Bearing:	Not Electrically Isolated	Thermal Device - Bearing:	None
Feedback Device:	NO FEEDBACK	Thermal Device - Winding:	None
Front Face Code:	Standard	Vibration Sensor Indicator:	No Vibration Sensor
Front Shaft Indicator:	None	Winding Thermal 1:	None
Heater Indicator:	No Heater	Winding Thermal 2:	None
Insulation Class:	F	XP Temp Code:	T3C

Nameplate NP3257E

CAT.NO.	VECP3665T-4		
SPEC.	06H480X203G1		
HP	5	TE	
VOLTS	460		
AMP	6.45		
RPM	1750		
FRAME	184TC	HZ	60
SER.F.	1.15	CODE	J
RATING	40C AMB-CONT		
SN			
DE	6206	ODE	6206
NEMA-NOM-EFF	89.5	PF	81
G.MIN.EFF	89.5	CC	010A
T. CODE	T3C	T=	160

PH	3
CL	F

Nameplate NP3260E	
SPEC.	06H480X203G1
D.E. BRG.	30BC02XP30X
O.D.E. BRG.	30BC02XP30X
GREASE	POLYREX EM
RPM MAX	2700
	MAX. KVAR 1
BLANK	
INV. TYPE	PWM
T=	160
C HP FR	60
CT HZ FROM	0-
VT HZ FROM	0-
HTR-VOLTS	
HTR-WATTS	
C HP TO	90
CT HZ TO	60
VT HZ TO	60
HTR-AMPS	
	MAX. SPACE HEATER TEMP.

Parts List		
Part Number	Description	Quantity
SA242259	SA 06H480X203G1	1.000 EA
RA229170	RA 06H480X203G1	1.000 EA
36FN3000C01SP	EXFN, PLASTIC, 5.25 OD, .912 ID	1.000 EA
HW3201A05	3/8-16 EYEBOLT	1.000 EA
06CB1000A02G	CONDUIT BOX, MACH GRAY	1.000 EA
RM1016	LEAD SEPARATOR GASKET - 305/306 C.P.MOTO	1.000 EA
51XF2520A16	SCREW,HEX SER SLT HD,ZN 1/4-20X1.00LG TD	2.000 EA
WD1000B16	T&B CX70TN OR L70P TERMINAL LUG	2.000 EA
10XN2520S06	1/4 20X3/8 HX HD CAP S.S.	2.000 EA
11XW1032G06	10-32 X .38, TAPTITE II, HEX WSHR SLTD U	1.000 EA
HW3001B01	BRASS CUP WASHER, FOR #10 SCREW	1.000 EA
36EP1100B73G	FREP 6206,GRSR,RLF,.25-20 FH HOLES @.50	1.000 EA
HW4500A01	1641B(ALEMITE)400 UNIV, GREASE FITT	1.000 EA
HA4051A00	PLASTIC CAP FOR GREASE FITTING	1.000 EA
HW4500A17	317400 ALEMITE GREASE RELIEF	1.000 EA
HA4054	SHORT T-DRAIN FITTING, .125" N.P.T.	1.000 EA
HW5100A06	W2420-025 WVY WSHR (WB)	1.000 EA
36EP1300A48G	SPL PU 206 BRG. 182-4TC W/GREASER & RELI	1.000 EA
HW4500A01	1641B(ALEMITE)400 UNIV, GREASE FITT	1.000 EA
HA4051A00	PLASTIC CAP FOR GREASE FITTING	1.000 EA
HW4500A17	317400 ALEMITE GREASE RELIEF	1.000 EA
HA4054	SHORT T-DRAIN FITTING, .125" N.P.T.	1.000 EA
10XN2520A24	1/4-20X 1 1/2 HEX HD X	4.000 EA
HA3101A34	THRUBOLT- 1/4-20 X 10.375	4.000 EA

Parts List (continued)		
Part Number	Description	Quantity
51XB1214A16	12-14X1.00 HXWSSLD SERTYB	1.000 EA
36FH1001A02G	FAN HOUSING MACH, W/GRAY EPOXY	1.000 EA
10XN2520A16	1/4-20 X 1 HEX HEAD CAP SCR, ZINC PLATED	3.000 EA
WD4100A02	DP-1000 HEYCO PLUG OR 62MP1000 MICRO PL	1.000 EA
36FH4500A10	DRIP/FAN COVER, W/PRIMER	1.000 EA
12XF0832A06	8-32 X 3/8 TYP HX SL	4.000 EA
06CB1502G	LIPPED CONDUIT BOX LID CAST, GRAY EPOXY	1.000 EA
06GS1003	GASKET, KOBX LID, 1/8" THICK BLACK NEOPR	1.000 EA
10XN2520A12	1/4-20 X 3/4 HEX HEAD CAP	2.000 EA
HW1001A25	LOCKWASHER 1/4, ZINC PLT .493 OD, .255 I	2.000 EA
HA1005A22	SLINGER, OD 2.00, ID 1.14, 206 BRG, GM	1.000 EA
HW4600B36SP	V-RING SLINGER 1.188 X 1.690 X .24 VITON	1.000 EA
HW2501E16	KEY, 1/4 SQ X 1.750	1.000 EA
HA7000A02	KEY RETAINER RING, 1 1/8 DIA, 1 3/8 DIA	1.000 EA
MJ5001A27	32220KN GRAY SEALER *MIN BUY 4 QTS=1GAL	0.001 QT
85XU0407S04	4X1/4 U DRIVE PIN STAINLESS	2.000 EA
LB1115N	LABEL,LIFTING DEVICE (ON ROLLS)	1.000 EA
LB1002N	LABEL,MARINE DUTY (ON ROLLS)	1.000 EA
MJ1000A02	GREASE, MOBIL POLYREX EM - 124047	0.050 LB
MG1025N19	WILKOFASST, 778.50, RELIANCE BLUE-GREEN	0.028 GA
LB1119N	WARNING LABEL	1.000 EA
LB1449	DIV-2/NEC WARNING LABEL	1.000 EA
LC0006	CONNECTION LABEL	1.000 EA
NP3257E	SS CP SUPER-E DIV-2 UL CSA-C US EEV PREM	1.000 EA

Product Information Packet: VECP3665T-4 - 5HP,1750RPM,3PH,60HZ,184TC,0641M,TEFC,F1

NP3260E	SS CP SUPER-E AUX DATA INFORMATION	1.000 EA
85XU0407S04	4X1/4 U DRIVE PIN STAINLESS	2.000 EA
36PA1001	PKG GRP, PRINT PK1017A06	1.000 EA
PK3082	STYROFOAM CRADLE	1.000 EA
MN416A01	TAG-INSTAL-MAINT no wire (2100/bx) 4/22	1.000 EA

AC Induction Motor Performance Data

Record # 92406

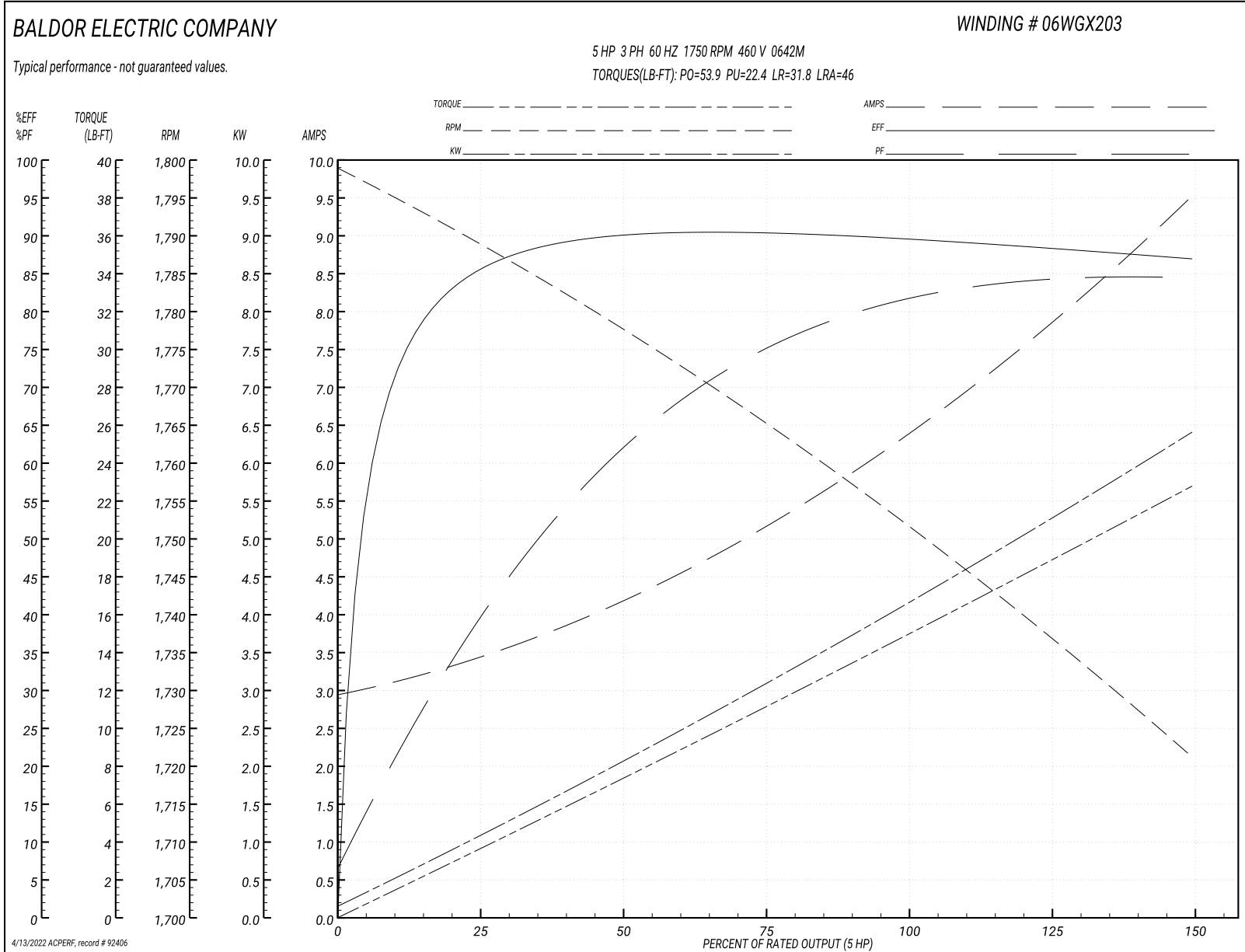
Typical performance - not guaranteed values

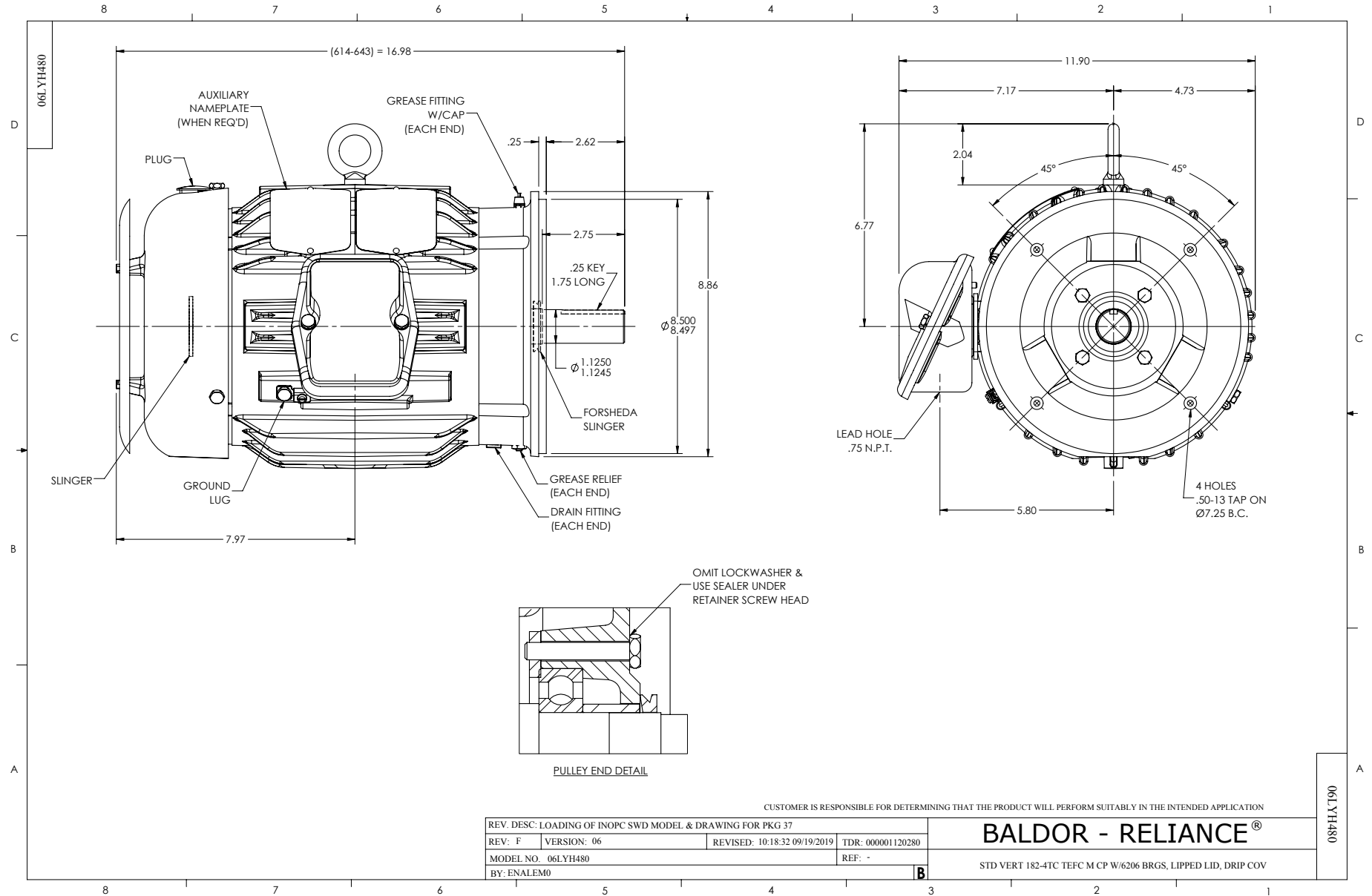
Winding: 06WGX203-R061		Type: 0642M		Enclosure: TEFC	
Nameplate Data			460 V, 60 Hz: Single Voltage Motor		
Rated Output (HP)	5	Full Load Torque	15 LB-FT		
Volts	460	Start Configuration	direct on line		
Full Load Amps	6.6	Breakdown Torque	53.9 LB-FT		
R.P.M.	1750	Pull-up Torque	22.4 LB-FT		
Hz	60 Phase	3	Locked-rotor Torque	31.8 LB-FT	
NEMA Design Code	B KVA Code	J	Starting Current	46 A	
Service Factor (S.F.)	1.15	No-load Current	3.02 A		
NEMA Nom. Eff.	89.5	Power Factor	79	Line-line Res. @ 25°C	2.63 Ω
Rating - Duty	40C AMB-CONT		Temp. Rise @ Rated Load	53°C	
S.F. Amps			Temp. Rise @ S.F. Load	65°C	
			Locked-rotor Power Factor	40.5	
			Rotor inertia	0.391 lb-ft ²	

Load Characteristics 460 V, 60 Hz, 5 HP

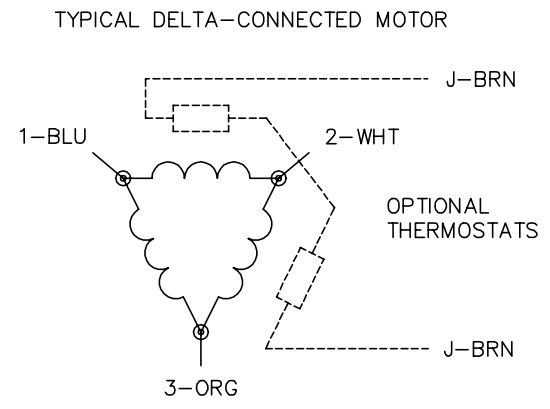
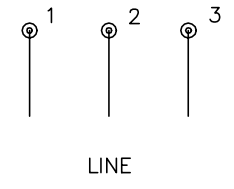
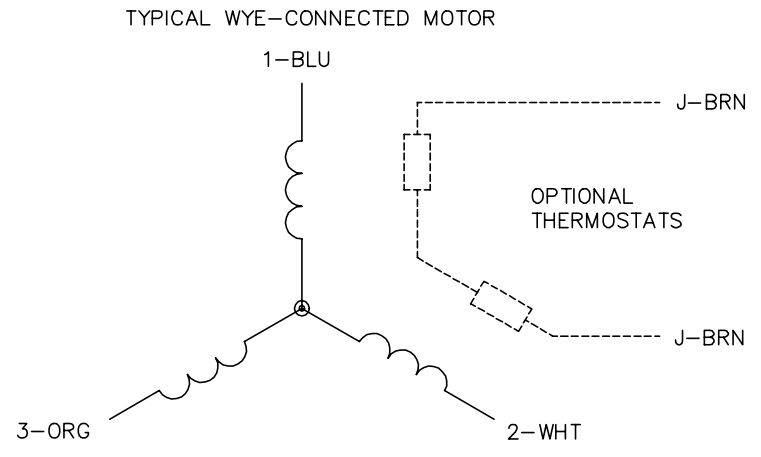
% of Rated Load	25	50	75	100	125	150	S.F.
Power Factor	41	63	75	81	84	85	81
Efficiency	85.2	89.8	90.4	89.5	88.4	86.9	88.7
Speed	1789	1777	1765	1752	1737	1721	1739
Line amperes	3.35	4.14	5.21	6.45	7.91	9.47	7.52

Performance Graph at 460V, 60Hz, 5.0HP Typical performance - Not guaranteed values





CD0006



- NOTES:
1. THREE LEAD MOTOR MAY BE EITHER WYE CONNECTED OR DELTA CONNECTED.
 2. INTERCHANGE ANY TWO LINE LEADS TO REVERSE ROTATION.
 3. OPTIONAL THERMOSTATS ARE PROVIDED WHEN SPECIFIED.
 4. ACTUAL NUMBER OF INTERNAL PARALLEL CIRCUITS MAY VARY.
 5. LEAD COLORS ARE OPTIONAL. LEADS MUST BE NUMBERED AS SHOWN.

CD0006

REV. DESC: ADD CLASS CONN00000007		
REV. LTR: E	VERSION: 01	TDR: 000001099922
FILE: \AAA\00005\141	REVISED: 10:24:49 02/19/2019	BY: ENBRIRO
MTL: -		

BALDOR - RELIANCE®

3PH, SV, 3 LEADS, WYE OR DELTA CONNECTED

SH 1 of 1