

**BALDOR® • RELIANCE** 

**Product Information Packet**

**VECP3774T-4**

**10HP,1760RPM,3PH,60HZ,215TC,0748M,TEFC,F**

Part Detail							
Revision:	X	Status:	PRD/A	Change #:		Proprietary:	No
Type:	AC	Elec. Spec:	07WGX556	CD Diagram:	CD0006	Mfg Plant:	
Mech. Spec:	07K370	Layout:	07LYK370	Poles:	04	Created Date:	02-15-2011
Base:	N	Eff. Date:	11-02-2020	Leads:	3#14		

Specs			
Catalog Number:	VECP3774T-4	Insulation Class:	F
Enclosure:	TEFC	Inverter Code:	Inverter Duty
Frame:	215TC	KVA Code:	H
Frame Material:	Iron	Lifting Lugs:	Standard Lifting Lugs
Output @ Frequency:	10.000 HP @ 60 HZ	Locked Bearing Indicator:	Locked Bearing
Synchronous Speed @ Frequency:	1800 RPM @ 60 HZ	Motor Lead Quantity/Wire Size:	3 @ 14 AWG
Voltage @ Frequency:	460.0 V @ 60 HZ	Motor Lead Exit:	Ko Box
XP Class and Group:	CLI GP A,B,C,D	Motor Lead Termination:	Flying Leads
XP Division:	Division II	Motor Type:	0748M
Agency Approvals:	CSA EEV	Mounting Arrangement:	F1
	UR	Power Factor:	82
	CSA	Product Family:	Chemical Processing (Not DC)
	CCSA US	Pulley End Bearing Type:	Ball
Auxillary Box:	No Auxillary Box	Pulley Face Code:	C-Face
Auxillary Box Lead Termination:	None	Pulley Shaft Indicator:	Standard
Base Indicator:	No Mounting	Rodent Screen:	None
Bearing Grease Type:	Polyrex EM (-20F +300F)	Shaft Extension Location:	Pulley End
Blower:	None	Shaft Ground Indicator:	No Shaft Grounding

<b>Constant Torque Speed Range:</b>	1.3	<b>Shaft Rotation:</b>	Reversible
<b>Current @ Voltage:</b>	12.500 A @ 460.0 V	<b>Shaft Slinger Indicator:</b>	Shaft Slinger
<b>Design Code:</b>	A	<b>Speed Code:</b>	Single Speed
<b>Drip Cover:</b>	Drip Cover	<b>Motor Standards:</b>	NEMA
<b>Duty Rating:</b>	CONT	<b>Starting Method:</b>	Direct on line
<b>Electrically Isolated Bearing:</b>	Not Electrically Isolated	<b>Thermal Device - Bearing:</b>	None
<b>Feedback Device:</b>	NO FEEDBACK	<b>Thermal Device - Winding:</b>	None
<b>Front Face Code:</b>	Standard	<b>Vibration Sensor Indicator:</b>	No Vibration Sensor
<b>Front Shaft Indicator:</b>	None	<b>Winding Thermal 1:</b>	None
<b>Heater Indicator:</b>	No Heater	<b>Winding Thermal 2:</b>	None
		<b>XP Temp Code:</b>	T3C

Nameplate NP3257E

<b>CAT.NO.</b>	VECP3774T-4		
<b>SPEC.</b>	07K370X556G2		
<b>HP</b>	10	TE	
<b>VOLTS</b>	460		
<b>AMP</b>	12.5		
<b>RPM</b>	1760		
<b>FRAME</b>	215TC	<b>HZ</b>	60
<b>SER.F.</b>	1.15	<b>CODE</b>	H
<b>RATING</b>	40C AMB-CONT		
<b>SN</b>			
<b>DE</b>	6307	<b>ODE</b>	6307
<b>NEMA-NOM-EFF</b>	92.4	<b>PF</b>	82
<b>G.MIN.EFF</b>	91.0	<b>CC</b>	010A
<b>T. CODE</b>	T3C	<b>T=</b>	160

<b>PH</b>	3
<b>CL</b>	F

<b>Nameplate NP3260E</b>	
<b>SPEC.</b>	07K370X556G2
<b>D.E. BRG.</b>	35BC03XP30X
<b>O.D.E. BRG.</b>	35BC03XP30X
<b>GREASE</b>	POLYREX EM
<b>RPM MAX</b>	2700
<b>MAX. KVAR</b>	1.7
<b>BLANK</b>	
<b>INV. TYPE</b>	PWM
<b>T=</b>	160
<b>C HP FR</b>	60
<b>CT HZ FROM</b>	1.3
<b>VT HZ FROM</b>	0-
<b>C HP TO</b>	90
<b>CT HZ TO</b>	60
<b>VT HZ TO</b>	60
<b>HTR-VOLTS</b>	
<b>HTR-WATTS</b>	
<b>HTR-AMPS</b>	
<b>MAX. SPACE HEATER TEMP.</b>	

Parts List		
Part Number	Description	Quantity
SA217594	SA 07K370X556G2	1.000 EA
RA204773	RA 07K370X556G2	1.000 EA
37FN3002C01	EXFN, PLASTIC, 6.00 OD, 1.155 ID	1.000 EA
HW3201A05	3/8-16 EYEBOLT	1.000 EA
09CB1001A03G	CONDUIT BOX, MACH GRAY	1.000 EA
RM1017	LEAD SEPERATOR GASKET MODEL 307 1/8" THK	1.000 EA
19XW2520A16	SCREW,1/4-20X1 TAPTITE-II OR ROLOC 91	2.000 EA
11XW1032G06	10-32 X .38, TAPTITE II, HEX WSHR SLTD U	1.000 EA
HW3001B01	BRASS CUP WASHER, FOR #10 SCREW	1.000 EA
10XN2520S06	1/4 20X3/8 HX HD CAP S.S.	2.000 EA
WD1000B16	T&B CX70TN OR L70P TERMINAL LUG	1.000 EA
37EP1101C43G	TEFC 307 BRG, GRSR,RELIEF,.25-20 FH TAPS	1.000 EA
HW4500A01	1641B(ALEMITE)400 UNIV, GREASE FITT	1.000 EA
HA4051A00	PLASTIC CAP FOR GREASE FITTING	1.000 EA
HW4500A17	317400 ALEMITE GREASE RELIEF	1.000 EA
HA4054	SHORT T-DRAIN FITTING, .125" N.P.T.	1.000 EA
HW5100A08	W3118-035 WVY WSHR (WB)	1.000 EA
37EP1300A41G	FACE MTD E.P. ENCL 307 BRG. 213-5TC S.P.	1.000 EA
HW4500A01	1641B(ALEMITE)400 UNIV, GREASE FITT	1.000 EA
HA4051A00	PLASTIC CAP FOR GREASE FITTING	1.000 EA
HW4500A17	317400 ALEMITE GREASE RELIEF	1.000 EA
HA4054	SHORT T-DRAIN FITTING, .125" N.P.T.	1.000 EA
10XN2520A30	HEX HD CAP SCREW-STD THD-.25 X 20 THD PE	4.000 EA
XY3118A12	5/16-18 HEX NUT DIRECTIONAL SERRATION	4.000 EA

Parts List (continued)		
Part Number	Description	Quantity
51XB1214A20	12-14X1.25 HXWSSLD SERTYB	1.000 EA
07FH1001A02G	FAN HOUSING, 307 W/MTG BOSSES, GRS HOLE	1.000 EA
10XN2520A16	1/4-20 X 1 HEX HEAD CAP SCR, ZINC PLATED	3.000 EA
WD4100A02	DP-1000 HEYCO PLUG OR 62MP1000 MICRO PL	1.000 EA
39FH4500A04G	SP'L DRIP COVER FOR 307 MOTOR MACH GRAY	1.000 EA
12XN1032A20	10-32X1 1/4 HXWS SLTD	4.000 EA
HA2001A09	SPACER, .218 ID X .937 LG	4.000 EA
09CB1504A01G	LIPPED CONDUIT BOX LID, MACH GRAY EPOXY	1.000 EA
09GS1001A01	GASKET, BOX LID, 1/8 THICK BLACK NEOPREN	1.000 EA
10XN2520A12	1/4-20 X 3/4 HEX HEAD CAP	2.000 EA
HW1001A25	LOCKWASHER 1/4, ZINC PLT .493 OD, .255 I	2.000 EA
HA1005A07	SLINGER, OD 2.25, ID 1.344, 307 BRG	1.000 EA
HW4600B33	V-RING SLINGER 1.375 X 1.890 X .35 VITON	1.000 EA
HW2501F21	KEY, 5/16 SQ X 2.375	1.000 EA
HA7000A02	KEY RETAINER RING, 1 1/8 DIA, 1 3/8 DIA	1.000 EA
MJ5001A27	32220KN GRAY SEALER *MIN BUY 4 QTS=1GAL	0.001 QT
85XU0407S04	4X1/4 U DRIVE PIN STAINLESS	2.000 EA
LB1115N	LABEL,LIFTING DEVICE (ON ROLLS)	1.000 EA
LB1002N	LABEL,MARINE DUTY (ON ROLLS)	1.000 EA
MJ1000A02	GREASE, MOBIL POLYREX EM - 124047	0.050 LB
HA3104A32	THRUBOLT- 5/16-18 X12.750	4.000 EA
MG1025N19	WILKOFASST, 778.50, RELIANCE BLUE-GREEN	0.036 GA
LB1119N	WARNING LABEL	1.000 EA
LB1449	DIV-2/NEC WARNING LABEL	1.000 EA

LC0006	CONNECTION LABEL	1.000 EA
NP3257E	SS CP SUPER-E DIV-2 UL CSA-C US EEV PREM	1.000 EA
NP3260E	SS CP SUPER-E AUX DATA INFORMATION	1.000 EA
85XU0407S04	4X1/4 U DRIVE PIN STAINLESS	2.000 EA
07PA1011	PKG GRP, 07 CAST IRON PK1181	1.000 EA
07PA1095	PKG GRP, VER 07 CAST IRON	1.000 EA
MN416A01	TAG-INSTAL-MAINT no wire (2100/bx) 4/22	1.000 EA



**AC Induction Motor Performance Data**

Record # 47025

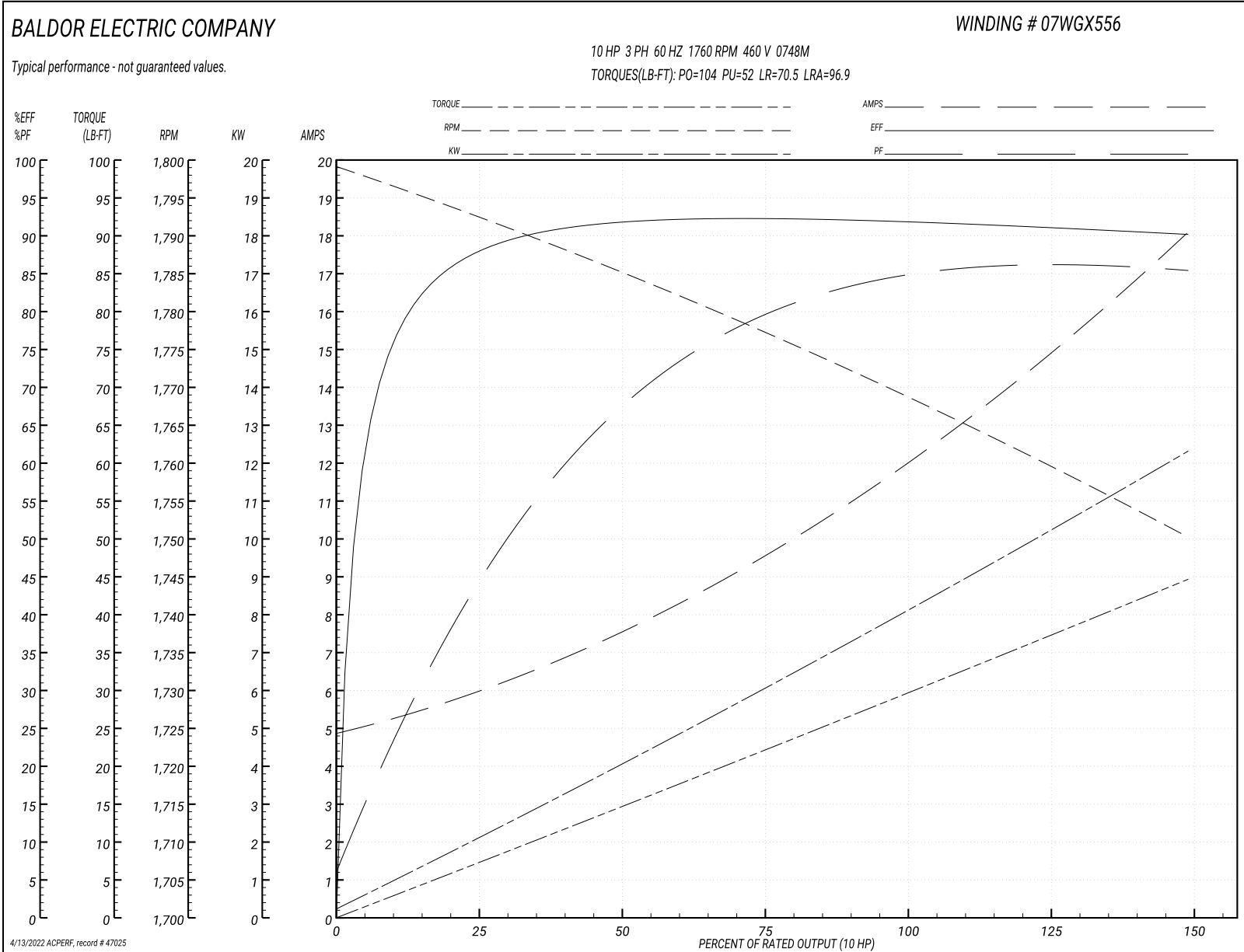
Typical performance - not guaranteed values

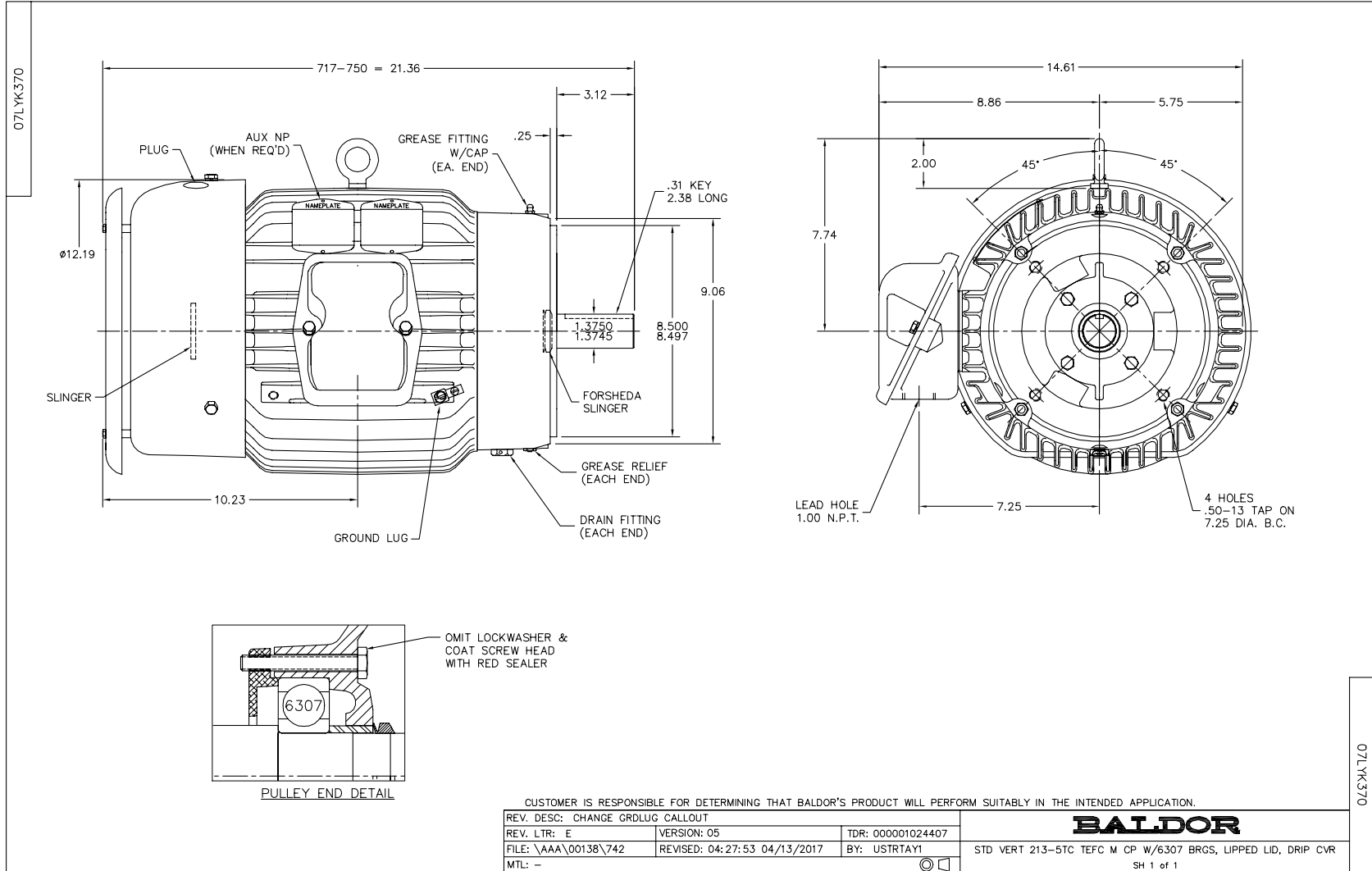
<b>Winding:</b> 07WGX556-R070		<b>Type:</b> 0748M		<b>Enclosure:</b> TEFC	
<b>Nameplate Data</b>			<b>460 V, 60 Hz: Single Voltage Motor</b>		
<b>Rated Output (HP)</b>	10	<b>Full Load Torque</b>	29.7 LB-FT		
<b>Volts</b>	460	<b>Start Configuration</b>	direct on line		
<b>Full Load Amps</b>	12.5	<b>Breakdown Torque</b>	104 LB-FT		
<b>R.P.M.</b>	1760	<b>Pull-up Torque</b>	52 LB-FT		
<b>Hz</b>	60 <b>Phase</b>	3	<b>Locked-rotor Torque</b>	70.5 LB-FT	
<b>NEMA Design Code</b>	<b>A KVA Code</b>	H	<b>Starting Current</b>	96.9 A	
<b>Service Factor (S.F.)</b>	1.15		<b>No-load Current</b>	5.06 A	
<b>NEMA Nom. Eff.</b>	92.4 <b>Power Factor</b>	82	<b>Line-line Res. @ 25°C</b>	0.978 Ω	
<b>Rating - Duty</b>	40C AMB-CONT		<b>Temp. Rise @ Rated Load</b>	55°C	
<b>S.F. Amps</b>			<b>Temp. Rise @ S.F. Load</b>	68°C	
			<b>Rotor inertia</b>	1.18 LB-FT <sup>2</sup>	

**Load Characteristics 460 V, 60 Hz, 10 HP**

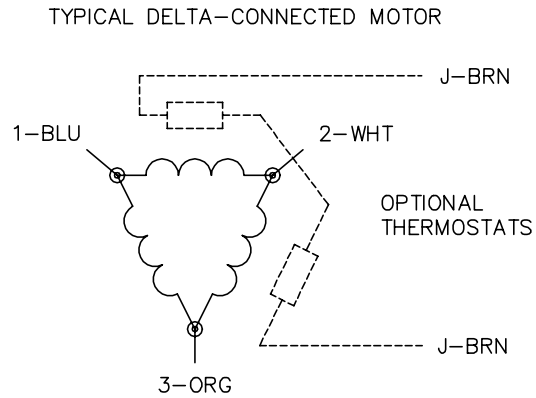
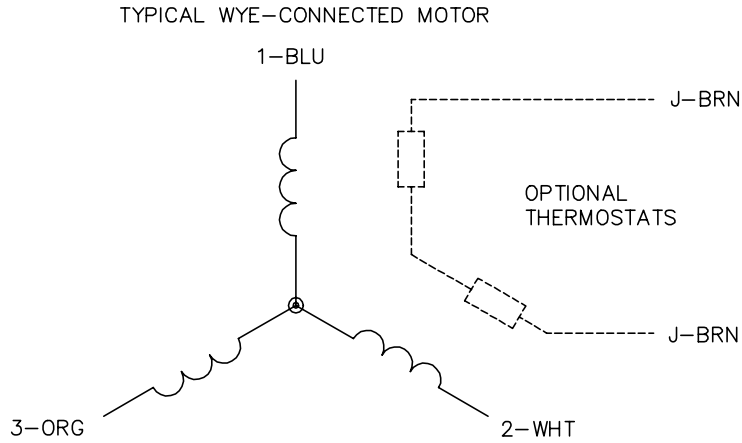
<b>% of Rated Load</b>	<b>25</b>	<b>50</b>	<b>75</b>	<b>100</b>	<b>125</b>	<b>150</b>	<b>S.F.</b>
<b>Power Factor</b>	46	69	79	83	85	86	84
<b>Efficiency</b>	88.6	92.2	92.7	92.3	91.5	90.3	91.8
<b>Speed</b>	1793	1785	1777	1769	1760	1750	1764
<b>Line amperes</b>	5.73	7.38	9.59	12.2	14.9	18	13.8

Performance Graph at 460V, 60Hz, 10.0HP Typical performance - Not guaranteed values





CD0006



NOTES:

1. THREE LEAD MOTOR MAY BE EITHER WYE CONNECTED OR DELTA CONNECTED.
2. INTERCHANGE ANY TWO LINE LEADS TO REVERSE ROTATION.
3. OPTIONAL THERMOSTATS ARE PROVIDED WHEN SPECIFIED.
4. ACTUAL NUMBER OF INTERNAL PARALLEL CIRCUITS MAY VARY.
5. LEAD COLORS ARE OPTIONAL. LEADS MUST BE NUMBERED AS SHOWN.

CD0006

REV. DESC: ADD CLASS CONN00000007		
REV. LTR: E	VERSION: 01	TDR: 000001099922
FILE: \AAA\00005\141	REVISED: 10:24:49 02/19/2019	BY: ENBRIRO
MTL: -	© □	

**BALDOR - RELIANCE®**

3PH, SV, 3 LEADS, WYE OR DELTA CONNECTED

SH 1 of 1