

**BALDOR® • RELIANCE** 

**Product Information Packet**

**VECP83584T-4**

**1.5HP, 1760RPM, 3PH, 60HZ, 145TC, 0528M, TEFC**

Part Detail							
Revision:	-	Status:	PRD/A	Change #:		Proprietary:	No
Type:	AC	Elec. Spec:	05WGY060	CD Diagram:	CD0006	Mfg Plant:	
Mech. Spec:	05F161	Layout:	05LYF161	Poles:	04	Created Date:	03-30-2022
Base:	N	Eff. Date:	04-01-2022	Leads:	3#18		

Specs			
Catalog Number:	VECP83584T-4	Inverter Code:	Inverter Duty
Enclosure:	TEFC	KVA Code:	L
Frame:	145TC	Lifting Lugs:	Standard Lifting Lugs
Frame Material:	Iron	Locked Bearing Indicator:	Locked Bearing
Output @ Frequency:	1.500 HP @ 60 HZ	Motor Lead Quantity/Wire Size:	3 @ 18 AWG
Synchronous Speed @ Frequency:	1800 RPM @ 60 HZ	Motor Lead Exit:	Ko Box
Voltage @ Frequency:	460.0 V @ 60 HZ	Motor Lead Termination:	Ring Terminals
XP Class and Group:	CLI GP A,B,C,D	Motor Type:	0530M
XP Division:	Division II	Mounting Arrangement:	F1
Agency Approvals:	UR	Power Factor:	76
	CSA EEV	Product Family:	Chem Process S/P 32-8 IEEE 841
	CSA	Pulley End Bearing Type:	Ball
Auxillary Box:	No Auxillary Box	Pulley Face Code:	C-Face
Auxillary Box Lead Termination:	None	Pulley Shaft Indicator:	Standard
Base Indicator:	No Mounting	Rodent Screen:	None
Bearing Grease Type:	Polyrex EM (-20F +300F)	Shaft Extension Location:	Pulley End
Blower:	None	Shaft Ground Indicator:	No Shaft Grounding
Constant Torque Speed Range:	1.3	Shaft Rotation:	Reversible

<b>Current @ Voltage:</b>	2.100 A @ 460.0 V	<b>Shaft Slinger Indicator:</b>	No Slinger
<b>Design Code:</b>	B	<b>Speed Code:</b>	Single Speed
<b>Drip Cover:</b>	Drip Cover	<b>Motor Standards:</b>	NEMA
<b>Duty Rating:</b>	CONT	<b>Starting Method:</b>	Direct on line
<b>Electrically Isolated Bearing:</b>	Not Electrically Isolated	<b>Thermal Device - Bearing:</b>	None
<b>Feedback Device:</b>	NO FEEDBACK	<b>Thermal Device - Winding:</b>	None
<b>Front Face Code:</b>	Standard	<b>Vibration Sensor Indicator:</b>	No Vibration Sensor
<b>Front Shaft Indicator:</b>	None	<b>Winding Thermal 1:</b>	None
<b>Heater Indicator:</b>	No Heater	<b>Winding Thermal 2:</b>	None
<b>Insulation Class:</b>	F	<b>XP Temp Code:</b>	T4

<b>Nameplate NP3235E</b>			
<b>CAT.NO.</b>	VECP83584T-4		
<b>SPEC.</b>	05F161Y060G1		
<b>HP</b>	1.5	TE	<b>IP</b>
<b>VOLTS</b>	460		
<b>AMPS</b>	2		
<b>R.P.M.</b>	1760		
<b>FRAME</b>	145TC	<b>HZ</b>	60
<b>SER.F.</b>	1.15	<b>CODE</b>	H <b>DES.</b> B
<b>RATING</b>	40C AMB-CONT		
<b>SN</b>			
<b>DE</b>	6205	<b>ODE</b>	6205
<b>NEMA NOM. EFF.</b>	86.5	<b>P.F.</b>	81
<b>GUAR. MIN. EFF.</b>	84	<b>CC</b>	010A
<b>T. CODE</b>	T3	<b>TEMP=</b>	200
		<b>PH</b>	3
		<b>CLASS</b>	F

Nameplate NP3186E			
SPEC.	05F161Y060G1		
ABMA DE BRG	25BC02X30X		
ABMA ODE BRG	25BC02X30X		
GREASE	POLYREX EM		
MOTOR WEIGHT	62	ROTOR BARS	28
MAX. R.P.M.	2700	MAX. KVAR	0.31
		STATOR BARS	36
INV.TYPE	PWM		
T=	200	TO	90
CHP	60	TO	60
CT	1.3	TO	60
VT	0-		
HTR-VOLTS		HTR-AMPS	
HTR-WATTS			MAX. SPACE HEATER TEMP. [ ]

Parts List		
Part Number	Description	Quantity
SA403070	SA 05F161Y060G1	1.000 EA
RA394370	RA 05F161Y060G1	1.000 EA
34FN3002B01	EXTERNAL FAN, PLASTIC, .637/.639 HUB W/	1.000 EA
HW3201A05	3/8-16 EYEBOLT	1.000 EA
06CB1001A01G	CONDUIT BOX, MACH GRAY	1.000 EA
RM1016	LEAD SEPARATOR GASKET - 305/306 C.P.MOTO	1.000 EA
51XW2520A12	SCREW, HEX SER SLT HD, ZN, 1/4-20 X .75	2.000 EA
11XW1032G06	10-32 X .38, TAPTITE II, HEX WSHR SLTD U	1.000 EA
HW3001B01	BRASS CUP WASHER, FOR #10 SCREW	1.000 EA
10XN2520S06	1/4 20X3/8 HX HD CAP S.S.	2.000 EA
WD1000B16	T&B CX70TN OR L70P TERMINAL LUG	1.000 EA
51XN1032A20	10-32 X 1 1/4 HX WS SL SR	2.000 EA
05EP1100A03G	FREP TEFC 203,GRSR,RLF,NO DRAIN	1.000 EA
HW4601B22	INPRO SEAL, 205 BRG, MINI66	1.000 EA
HW4500A01	1641B(ALEMITE)400 UNIV, GREASE FITT	1.000 EA
HA4051A00	PLASTIC CAP FOR GREASE FITTING	1.000 EA
HW4500A17	317400 ALEMITE GREASE RELIEF	1.000 EA
HW5100A05	WVY WSHR F/205 & 304 BRGS	1.000 EA
35EP1329A33G	EP ENCL,GRSR,RLF,(2).25-28 DRAINS, INPRO	1.000 EA
HW4601B22	INPRO SEAL, 205 BRG, MINI66	1.000 EA
HW4500A01	1641B(ALEMITE)400 UNIV, GREASE FITT	1.000 EA
HA4051A00	PLASTIC CAP FOR GREASE FITTING	1.000 EA
HW4500A17	317400 ALEMITE GREASE RELIEF	1.000 EA
HA4010A01	T-DRAIN PLUG,416 S.S.,W/ 1/4-28 THD & .0	2.000 EA

Parts List (continued)		
Part Number	Description	Quantity
51XN1032A20	10-32 X 1 1/4 HX WS SL SR	2.000 EA
HA3100A28	THRUBOLT 10-32 X 8.187	4.000 EA
51XB1214A16	12-14X1.00 HXWSSLD SERTYB	1.000 EA
35FH1000A27G	35FH1000A27 W/GRAY FLUIDIZ	1.000 EA
10XN2520A16	1/4-20 X 1 HEX HEAD CAP SCR, ZINC PLATED	3.000 EA
HW1001A25	LOCKWASHER 1/4, ZINC PLT .493 OD, .255 I	3.000 EA
35FH4500A01	DRIP COVER, STAMPED X - W/PRIMED	1.000 EA
HA2001A13	35-10103 SPACER WELKER	3.000 EA
51XN1032A20	10-32 X 1 1/4 HX WS SL SR	3.000 EA
WD4100A03	DE-750 HEYCO PLUG 62MP0750 MICRO PLASTIC	1.000 EA
06CB1503A01G	LIPPED CONDUIT BOX LID, MACH GRAY EPOXY	1.000 EA
06GS1009	GASKET, KOBX LID, 1/8" THICK BLACK NEOPR	1.000 EA
10XN2520A12	1/4-20 X 3/4 HEX HEAD CAP	2.000 EA
HW1001A25	LOCKWASHER 1/4, ZINC PLT .493 OD, .255 I	2.000 EA
HW2501D13	KEY, 3/16 SQ X 1.375	1.000 EA
HA7000A01	KEY RETAINER 7/8" DIA SHAFT	1.000 EA
MJ5004A59	ADHESIVE LOCTITE #401 SURFACE INSENSITIV	0.010 EA
MJ5001A27	32220KN GRAY SEALER *MIN BUY 4 QTS=1GAL	0.001 QT
MJ1000A73	INPRO P-80 ASSEMBLY LUB./ 1 QT. CONTAIN	0.001 QT
85XU0407S04	4X1/4 U DRIVE PIN STAINLESS	4.000 EA
LB1115N	LABEL,LIFTING DEVICE (ON ROLLS)	1.000 EA
LT0019A00	MOTOR NO-LOAD PERFORMANCE DATA SHEET	1.000 EA
WD1000D21	TRM,T&B #B71M,RING,18-14,.25,NON-INSL	3.000 EA
MJ1000A02	GREASE, MOBIL POLYREX EM - 124047	0.050 LB

Product Information Packet: VECP83584T-4 - 1.5HP,1760RPM,3PH,60HZ,145TC,0528M,TEFC

MG1025N19	WILKOFAST, 778.50, RELIANCE BLUE-GREEN	0.010 GA
LB1119N	WARNING LABEL	1.000 EA
LB1449	DIV-2/NEC WARNING LABEL	1.000 EA
LC0006	CONNECTION LABEL	1.000 EA
NP3235E	SS IEEE841 DIV-2 UL CSA-C US EEV PREM	1.000 EA
NP3186E	SS IEEE841 INV AUX DATA INFORMATION	1.000 EA
36PA1001	PKG GRP, PRINT PK1017A06	1.000 EA
PK3082	STYROFOAM CRADLE	1.000 EA
MN416A01	TAG-INSTAL-MAINT no wire (2100/bx) 4/22	1.000 EA



**AC Induction Motor Performance Data**

Record # 91491

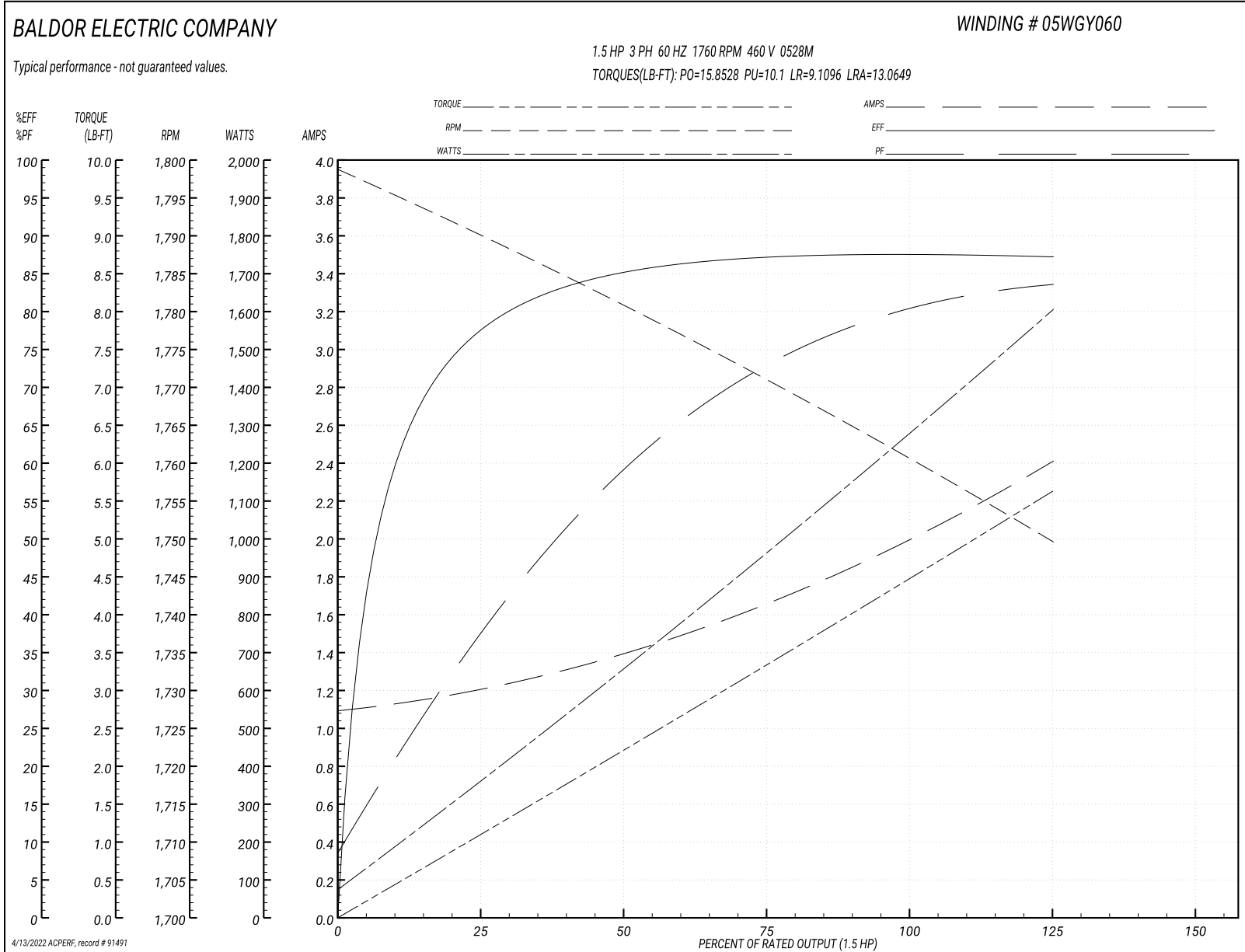
Typical performance - not guaranteed values

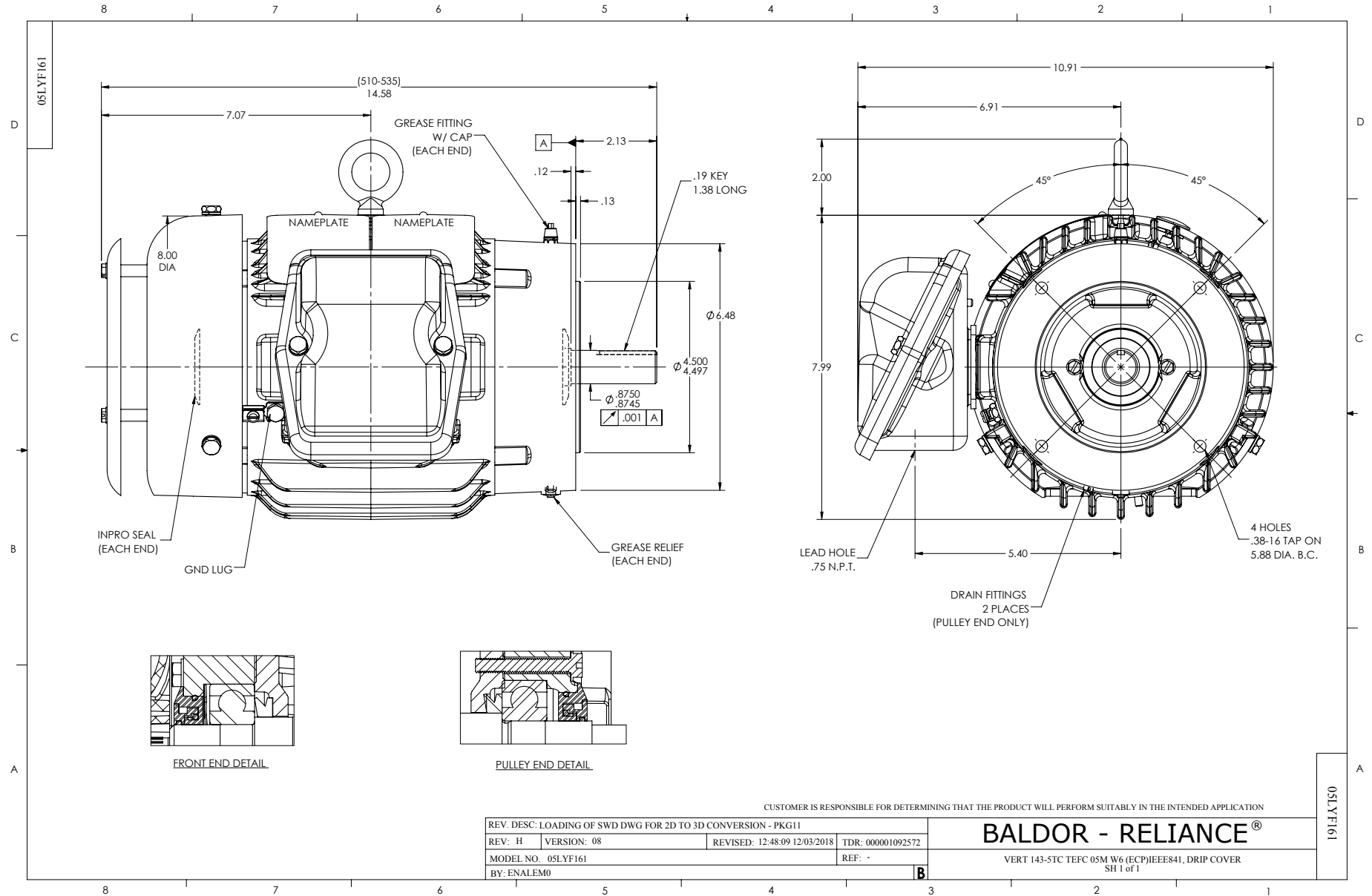
Winding: 05WGY060-R001		Type: 0528M	Enclosure: TEFC
<b>Nameplate Data</b>		<b>460 V, 60 Hz: High Voltage Connection</b>	
Rated Output (HP)	1.5	Full Load Torque	4.4801 LB-FT
Volts	460	Start Configuration	direct on line
Full Load Amps	2	Breakdown Torque	15.8528 LB-FT
R.P.M.	1760	Pull-up Torque	10.1 LB-FT
Hz	60 Phase	Locked-rotor Torque	9.1096 LB-FT
NEMA Design Code	B KVA Code	Starting Current	13.0649 A
Service Factor (S.F.)	1.15	No-load Current	1.1055 A
NEMA Nom. Eff.	86.5 Power Factor	Line-line Res. @ 25°C	10.5 Ω
Rating - Duty	40C AMB-CONT	Temp. Rise @ Rated Load	36°C
S.F. Amps		Temp. Rise @ S.F. Load	44°C
		Locked-rotor Power Factor	50.0234
		Rotor inertia	0.165 lb-ft <sup>2</sup>

**Load Characteristics 460 V, 60 Hz, 1.5 HP**

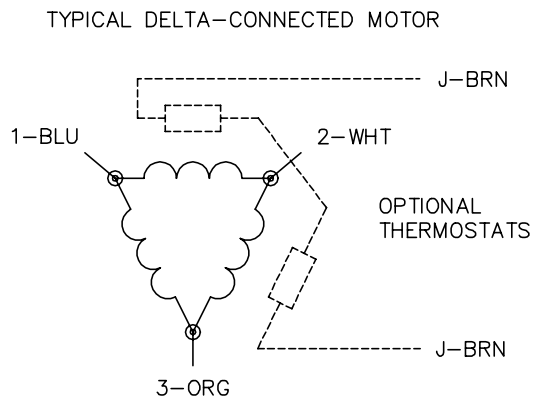
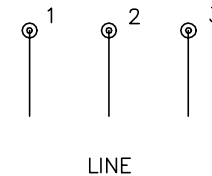
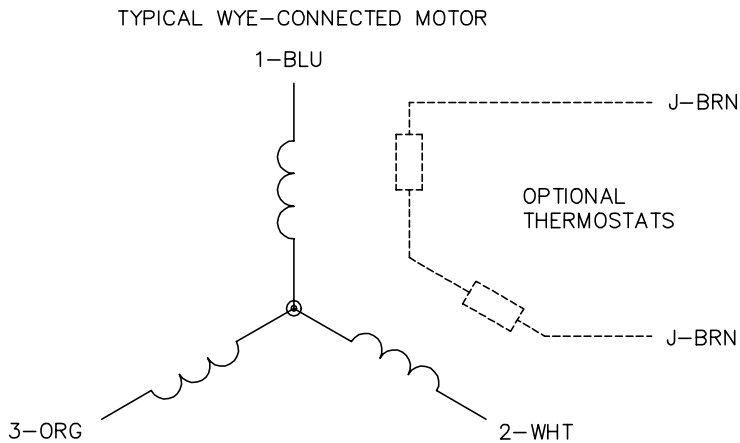
% of Rated Load	25	50	75	100	125	150	S.F.
Power Factor	38.2458	59.6665	72.4844	81	82.6359	84.0575	80
Efficiency	77.419	85.1235	87.1952	86.5	87.3966	87.1653	77.7
Speed	1790.01	1780.74	1771.02	1760.67	1754.1	1749.51	3475
Line amperes	1.1877	1.3868	1.6692	2.011	2.2384	2.3995	1.88

Performance Graph at 460V, 60Hz, 1.5HP Typical performance - Not guaranteed values





CD0006



NOTES:

1. THREE LEAD MOTOR MAY BE EITHER WYE CONNECTED OR DELTA CONNECTED.
2. INTERCHANGE ANY TWO LINE LEADS TO REVERSE ROTATION.
3. OPTIONAL THERMOSTATS ARE PROVIDED WHEN SPECIFIED.
4. ACTUAL NUMBER OF INTERNAL PARALLEL CIRCUITS MAY VARY.
5. LEAD COLORS ARE OPTIONAL. LEADS MUST BE NUMBERED AS SHOWN.

CD0006

REV. DESC: ADD CLASS CONN00000007		
REV. LTR: E	VERSION: 01	TDR: 000001099922
FILE: \AAA\00005\141	REVISED: 10:24:49 02/19/2019	BY: ENBRIRO
MTL: -	© □	

**BALDOR - RELIANCE**®

3PH, SV, 3 LEADS, WYE OR DELTA CONNECTED

SH 1 of 1