

BALDOR® • RELIANCE 

Product Information Packet

VECP83660T-4

3HP,3450RPM,3PH,60HZ,182TC,0632M,TEFC,F1

Part Detail							
Revision:	V	Status:	PRD/A	Change #:		Proprietary:	No
Type:	AC	Elec. Spec:	06WGW822	CD Diagram:	CD0006	Mfg Plant:	
Mech. Spec:	06G105	Layout:	06LYG105	Poles:	02	Created Date:	05-17-2010
Base:	N	Eff. Date:	08-27-2021	Leads:	3#16		

Specs			
Catalog Number:	VECP83660T-4	Inverter Code:	Inverter Duty
Enclosure:	TEFC	KVA Code:	K
Frame:	182TC	Lifting Lugs:	Standard Lifting Lugs
Frame Material:	Iron	Locked Bearing Indicator:	Locked Bearing
Output @ Frequency:	3.000 HP @ 60 HZ	Motor Lead Quantity/Wire Size:	3 @ 16 AWG
Synchronous Speed @ Frequency:	3600 RPM @ 60 HZ	Motor Lead Exit:	Ko Box
Voltage @ Frequency:	460.0 V @ 60 HZ	Motor Lead Termination:	Flying Leads
XP Class and Group:	CLI GP A,B,C,D	Motor Type:	0632M
XP Division:	Division II	Mounting Arrangement:	F1
Agency Approvals:	UR	Power Factor:	94
	CSA EEV	Product Family:	Super-E Chemical Processing
	CSA	Pulley End Bearing Type:	Ball
Auxillary Box:	No Auxillary Box	Pulley Face Code:	C-Face
Auxillary Box Lead Termination:	None	Pulley Shaft Indicator:	Standard
Base Indicator:	No Mounting	Rodent Screen:	None
Bearing Grease Type:	Polyrex EM (-20F +300F)	Shaft Extension Location:	Pulley End
Blower:	None	Shaft Ground Indicator:	No Shaft Grounding
Constant Torque Speed Range:	6	Shaft Rotation:	Reversible

Current @ Voltage:	3.400 A @ 460.0 V	Shaft Slinger Indicator:	Shaft Slinger
Design Code:	B	Speed Code:	Single Speed
Drip Cover:	No Drip Cover	Motor Standards:	NEMA
Duty Rating:	CONT	Starting Method:	Direct on line
Electrically Isolated Bearing:	Not Electrically Isolated	Thermal Device - Bearing:	None
Feedback Device:	NO FEEDBACK	Thermal Device - Winding:	None
Front Face Code:	Standard	Vibration Sensor Indicator:	No Vibration Sensor
Front Shaft Indicator:	None	Winding Thermal 1:	None
Heater Indicator:	No Heater	Winding Thermal 2:	None
Insulation Class:	F	XP Temp Code:	T3C

Nameplate NP3235E

CAT.NO.	VECP83660T-4		
SPEC.	06G105W822G2		
HP	3	TE	IP 56
VOLTS	460		
AMPS	3.4		
R.P.M.	3450		
FRAME	182TC	HZ	60
SER.F.	1.15	CODE	K DES. B
RATING	40C AMB-CONT		
SN			
DE	6206	ODE	6206
NEMA NOM. EFF.	88.5	P.F.	94
GUAR. MIN. EFF.	86.5	CC	010A
T. CODE	T3C	TEMP=	160

PH 3

CLASS F

Nameplate NP3186E			
SPEC.	06G105W822G2		
ABMA DE BRG	30BC02XP30X		
ABMA ODE BRG	30BC02X30X		
GREASE	POLYREX EM		
MOTOR WEIGHT	121	ROTOR BARS	28
MAX. R.P.M.	5400	MAX. KVAR	N/A
			STATOR BARS 36
INV. TYPE	PWM		
T=	160	TO	90
CHP	60	TO	60
CT	6	TO	60
VT	3		
HTR-VOLTS	N/A	HTR-AMPS	N/A
HTR-WATTS			MAX. SPACE HEATER TEMP. N/A

Parts List		
Part Number	Description	Quantity
SA198469	SA 06G105W822G2	1.000 EA
RA185836	RA 06G105W822G2	1.000 EA
HW3201A05	3/8-16 EYEBOLT	1.000 EA
06CB1001A01G	CONDUIT BOX, MACH GRAY	1.000 EA
RM1016	LEAD SEPARATOR GASKET - 305/306 C.P.MOTO	1.000 EA
51XF2520A16	SCREW,HEX SER SLT HD,ZN 1/4-20X1.00LG TD	2.000 EA
11XW1032G06	10-32 X .38, TAPTITE II, HEX WSHR SLTD U	1.000 EA
HW3001B01	BRASS CUP WASHER, FOR #10 SCREW	1.000 EA
WD1000B16	T&B CX70TN OR L70P TERMINAL LUG	2.000 EA
10XN2520G06	1/4 20X3/8 HX HD CAP, GREEN	2.000 EA
06PE1132A02G	FREP ASSEMBLY FOR ROUTING PURPOSES	1.000 EA
HW4601B24	INPRO SEAL, 206 BRG, MINI66	1.000 EA
HW4500A32	FIT./EXT 1698-B (ALEMITE)GREASE FITTING	1.000 EA
HA4051A00	PLASTIC CAP FOR GREASE FITTING	1.000 EA
51XN1032A20	10-32 X 1 1/4 HX WS SL SR	4.000 EA
HW4500A17	317400 ALEMITE GREASE RELIEF	1.000 EA
HA4010A01	T-DRAIN PLUG,416 S.S.,W/ 1/4-28 THD & .0	1.000 EA
HW5100A06	W2420-025 WVY WSHR (WB)	1.000 EA
36EP1300A88G	PUEP 206 LK'D BRG,GRSR & RLF,INPRO SEAL	1.000 EA
HW4601B26	INPRO SEAL, 206 BRG, MINI66	1.000 EA
HW4500A01	1641B(ALEMITE)400 UNIV, GREASE FITT	1.000 EA
HA4051A00	PLASTIC CAP FOR GREASE FITTING	1.000 EA
HW4500A17	317400 ALEMITE GREASE RELIEF	1.000 EA
HA4002A03	#304 S.S. DRAIN FITTING, .125 NPT (.44 H	1.000 EA

Parts List (continued)		
Part Number	Description	Quantity
10XN2520A24	1/4-20X 1 1/2 HEX HD X	4.000 EA
HA3101A53	THRUBOLT 1/4-20 X 10.50	4.000 EA
XY2520A12	1/4-20 HEX NUT, DIRECTIONAL SERRATIONS	4.000 EA
51XB1214A16	12-14X1.00 HXWSSLD SERTYB	1.000 EA
06FH1004A01G	FAN HOUSING MACH, W/GRAY EPOXY	1.000 EA
10XN2520A24	1/4-20X 1 1/2 HEX HD X	3.000 EA
WD4100A02	DP-1000 HEYCO PLUG OR 62MP1000 MICRO PL	1.000 EA
06CB1503A01G	LIPPED CONDUIT BOX LID, MACH GRAY EPOXY	1.000 EA
06GS1009	GASKET, KOBX LID, 1/8" THICK BLACK NEOPR	1.000 EA
10XN2520A12	1/4-20 X 3/4 HEX HEAD CAP	2.000 EA
HW1001A25	LOCKWASHER 1/4, ZINC PLT .493 OD, .255 I	2.000 EA
MJ5004A59	ADHESIVE LOCTITE #401 SURFACE INSENSITIV	0.010 EA
HW2501E16	KEY, 1/4 SQ X 1.750	1.000 EA
HA7000A02	KEY RETAINER RING, 1 1/8 DIA, 1 3/8 DIA	1.000 EA
MJ5001A27	32220KN GRAY SEALER *MIN BUY 4 QTS=1GAL	0.001 QT
MJ1000A73	INPRO P-80 ASSEMBLY LUB./ 1 QT. CONTAIN	0.001 QT
85XU0407S04	4X1/4 U DRIVE PIN STAINLESS	4.000 EA
LB1115N	LABEL,LIFTING DEVICE (ON ROLLS)	1.000 EA
LT0019A00	MOTOR NO-LOAD PERFORMANCE DATA SHEET	1.000 EA
WD1000D21	TRM,T&B #B71M,RING,18-14,.25,NON-INSL	3.000 EA
MJ1000A02	GREASE, MOBIL POLYREX EM - 124047	0.050 LB
36FN3000C01SP	EXFN, PLASTIC, 5.25 OD, .912 ID	1.000 EA
MG1025N19	WILKOFASST, 778.50, RELIANCE BLUE-GREEN	0.028 GA
LB1119N	WARNING LABEL	1.000 EA

LC0006	CONNECTION LABEL	1.000 EA
LB1449	DIV-2/NEC WARNING LABEL	1.000 EA
NP3235E	SS IEEE841 DIV-2 UL CSA-C US EEV PREM	1.000 EA
NP3186E	SS IEEE841 INV AUX DATA INFORMATION	1.000 EA
36PA1001	PKG GRP, PRINT PK1017A06	1.000 EA
MN416A01	TAG-INSTAL-MAINT no wire (2100/bx) 4/22	1.000 EA

AC Induction Motor Performance Data

Record # 47353

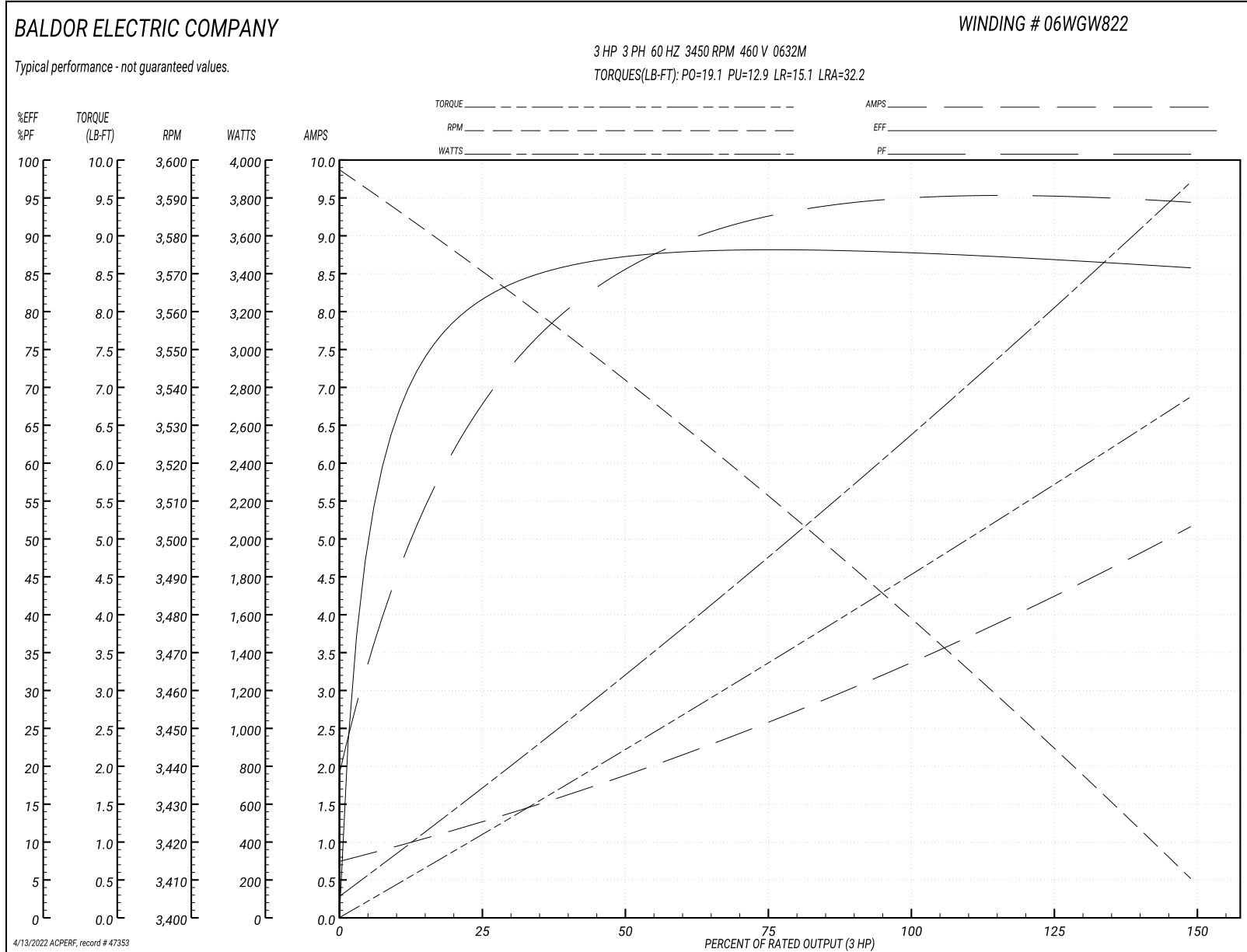
Typical performance - not guaranteed values

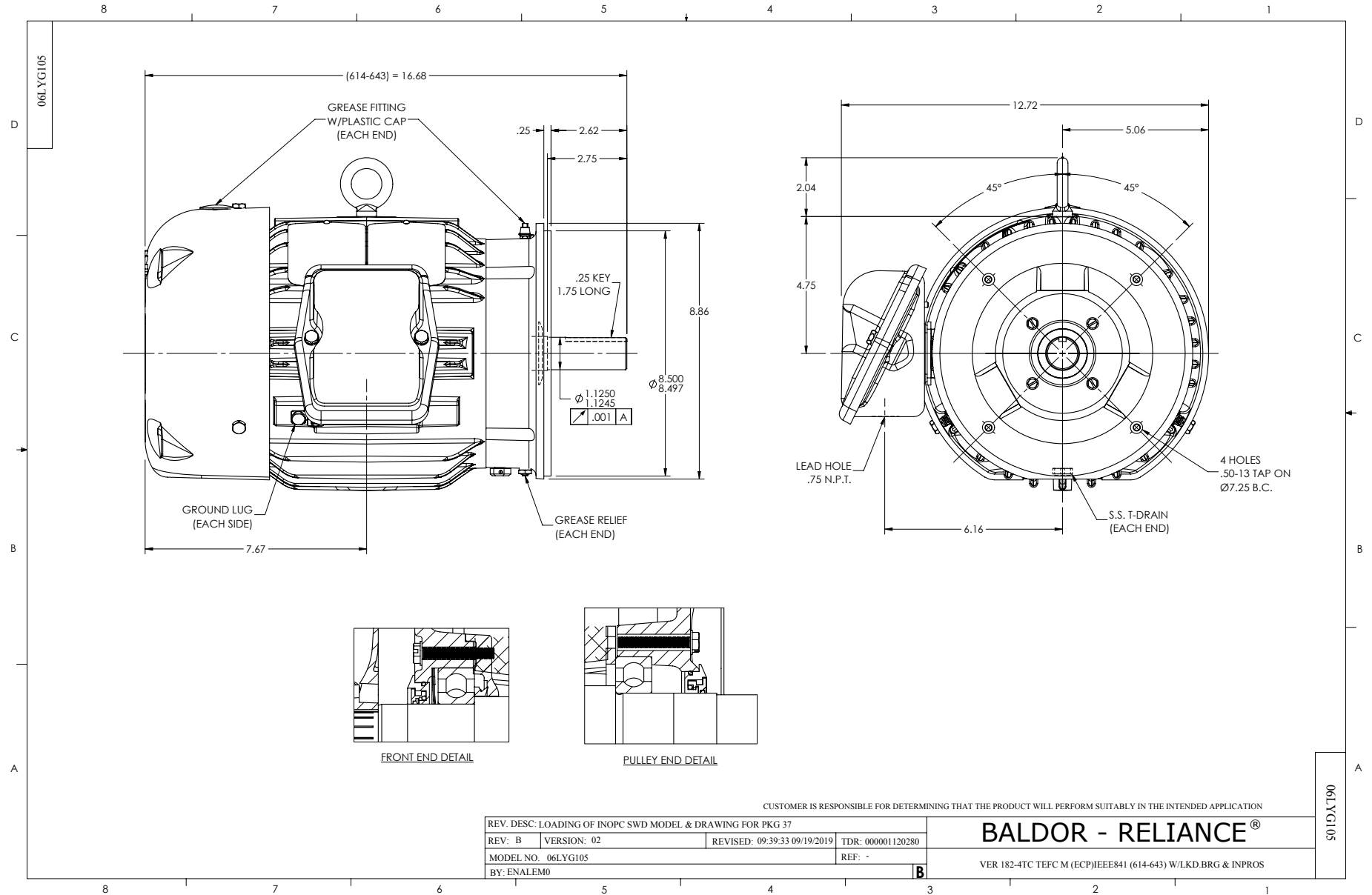
Winding: 06WGW822-R012		Type: 0632M		Enclosure: TEFC	
Nameplate Data			460 V, 60 Hz: Single Voltage Motor		
Rated Output (HP)	3	Full Load Torque	4.52 LB-FT		
Volts	460	Start Configuration	direct on line		
Full Load Amps	3.4	Breakdown Torque	19.1 LB-FT		
R.P.M.	3450	Pull-up Torque	12.9 LB-FT		
Hz	60 Phase	3	Locked-rotor Torque	15.1 LB-FT	
NEMA Design Code	B KVA Code	K	Starting Current	32.2 A	
Service Factor (S.F.)	1.15	No-load Current	0.8 A		
NEMA Nom. Eff.	88.5	Power Factor	94	Line-line Res. @ 25°C	4.03 Ω
Rating - Duty	40C AMB-CONT		Temp. Rise @ Rated Load	35°C	
S.F. Amps			Temp. Rise @ S.F. Load	43°C	
			Locked-rotor Power Factor	42.1	
			Rotor inertia	0.144 LB-FT ²	

Load Characteristics 460 V, 60 Hz, 3 HP

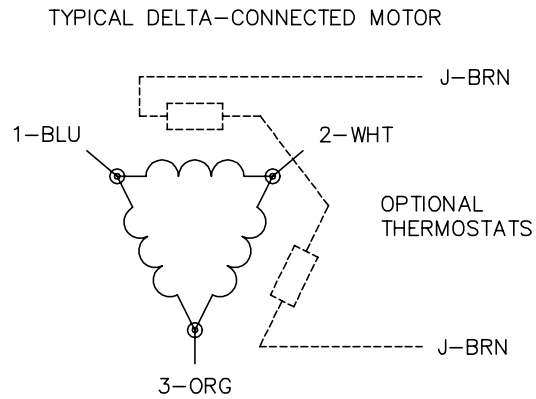
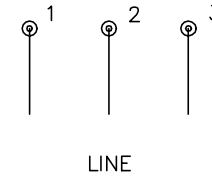
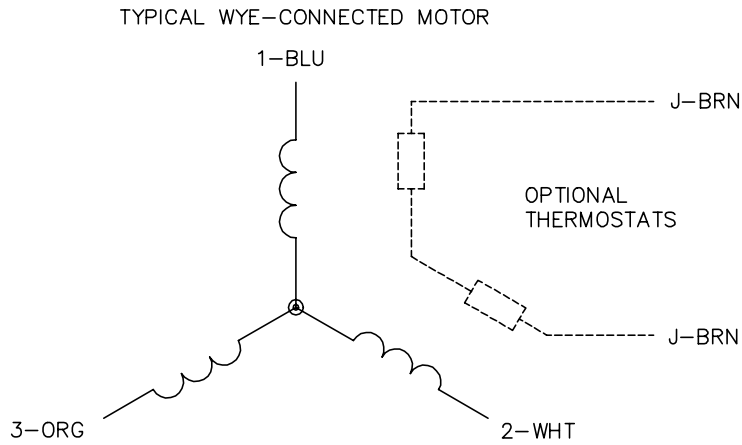
% of Rated Load	25	50	75	100	125	150	S.F.
Power Factor	72	86	92	94	95	95	95
Efficiency	82	87.8	88.8	88.4	87.4	85.9	87.8
Speed	3569	3542	3512	3480	3447	3409	3460
Line amperes	1.18	1.85	2.58	3.4	4.25	5.13	3.91

Performance Graph at 460V, 60Hz, 3.0HP Typical performance - Not guaranteed values





CD0006



NOTES:

1. THREE LEAD MOTOR MAY BE EITHER WYE CONNECTED OR DELTA CONNECTED.
2. INTERCHANGE ANY TWO LINE LEADS TO REVERSE ROTATION.
3. OPTIONAL THERMOSTATS ARE PROVIDED WHEN SPECIFIED.
4. ACTUAL NUMBER OF INTERNAL PARALLEL CIRCUITS MAY VARY.
5. LEAD COLORS ARE OPTIONAL. LEADS MUST BE NUMBERED AS SHOWN.

CD0006

REV. DESC: ADD CLASS CONN00000007		
REV. LTR: E	VERSION: 01	TDR: 000001099922
FILE: \AAA\00005\141	REVISED: 10:24:49 02/19/2019	BY: ENBRIRO
MTL: -	© □	

BALDOR - RELIANCE®

3PH, SV, 3 LEADS, WYE OR DELTA CONNECTED

SH 1 of 1