

**BALDOR® • RELIANCE** 

**Product Information Packet**

**VEDM3545**

**1HP,3450RPM,3PH,60HZ,56C,3420M,TEFC,F1,N**

Part Detail							
Revision:	H	Status:	PRD/A	Change #:		Proprietary:	No
Type:	AC	Elec. Spec:	34WG3226	CD Diagram:	CD0005	Mfg Plant:	
Mech. Spec:	34M809	Layout:	34LYM809	Poles:	02	Created Date:	04-25-2016
Base:	N	Eff. Date:	06-24-2021	Leads:	9#18		

Specs			
Catalog Number:	VEDM3545	Heater Indicator:	No Heater
Enclosure:	TEFC	Insulation Class:	F
Frame:	56C	Inverter Code:	Inverter Duty
Frame Material:	Steel	KVA Code:	L
Output @ Frequency:	1.000 HP @ 60 HZ	Lifting Lugs:	No Lifting Lugs
Synchronous Speed @ Frequency:	3600 RPM @ 60 HZ	Locked Bearing Indicator:	Locked Bearing
Voltage @ Frequency:	460.0 V @ 60 HZ	Motor Lead Quantity/Wire Size:	9 @ 18 AWG
	230.0 V @ 60 HZ	Motor Lead Exit:	Ko Box
XP Class and Group:	None	Motor Lead Termination:	Flying Leads
XP Division:	Not Applicable	Motor Type:	3420M
Agency Approvals:	UR	Mounting Arrangement:	F1
	CSA EEV	Power Factor:	82
	CCSA US	Product Family:	Dirty Duty Plus
Auxillary Box:	No Auxillary Box	Pulley End Bearing Type:	Sealed Bearing
Auxillary Box Lead Termination:	None	Pulley Face Code:	C-Face
Base Indicator:	No Mounting	Pulley Shaft Indicator:	Standard
Bearing Grease Type:	Polyrex EM (-20F +300F)	Rodent Screen:	None
Blower:	None	RoHS Status:	ROHS COMPLIANT

<b>Constant Torque Speed Range:</b>	6	<b>Shaft Extension Location:</b>	Pulley End
<b>Current @ Voltage:</b>	1.600 A @ 460.0 V	<b>Shaft Ground Indicator:</b>	No Shaft Grounding
	3.200 A @ 230.0 V	<b>Shaft Rotation:</b>	Reversible
	3.700 A @ 208.0 V	<b>Shaft Slinger Indicator:</b>	No Slinger
<b>Design Code:</b>	B	<b>Speed Code:</b>	Single Speed
<b>Drip Cover:</b>	No Drip Cover	<b>Motor Standards:</b>	NEMA
<b>Duty Rating:</b>	CONT	<b>Starting Method:</b>	Direct on line
<b>Electrically Isolated Bearing:</b>	Not Electrically Isolated	<b>Thermal Device - Bearing:</b>	None
<b>Feedback Device:</b>	NO FEEDBACK	<b>Thermal Device - Winding:</b>	None
<b>Front Face Code:</b>	Standard	<b>Vibration Sensor Indicator:</b>	No Vibration Sensor
<b>Front Shaft Indicator:</b>	None	<b>Winding Thermal 1:</b>	None
		<b>Winding Thermal 2:</b>	None

Nameplate NP3560E	
CAT NO	VEDM3545
SPEC.	34M809-3226G1
FRAME	56C HP 1
VOLTS	230/460SFA 3.6/1.8
FLA	3.2/1.6 I.P. 56
RPM	3450 RPM MAX 5400
HZ	60 PH 3 CLASS F
SER.F.	1.25 DES B CC 010A
NEMA-NOM-EFF	77
RATING	40C AMB-CONT
DE BRG	6203 ODE BRG 6203
GREASE	POLYREX EM
C HP FR	60 C HP TO 90
CT HZ FROM	6 CT HZ TO 60
SER.NO	
	50C AT 1.0SF
	ENCL TEFC
	VT HZ FROM 3
	VT HZ TO 60

Parts List		
Part Number	Description	Quantity
SA320602	SA 34M809-3226G1	1.000 EA
RA308332	RA 34M809-3226G1	1.000 EA
NS2512A01	INSULATOR, CONDUIT BOX X	1.000 EA
34CB1000A01E	CONDUIT BOX, WASHDOWN, W/E-COATED	1.000 EA
34GS1017	GASKET, CONDUIT BOX MODEL 34 (BLACK NEOP	1.000 EA
51XB1016A07	10-16 X 7/16 HXWSSLD SERTYB	2.000 EA
11XW1032G06	10-32 X .38, TAPTITE II, HEX WSHR SLTD U	1.000 EA
34EP1100A137LP2	FRONT EP TEFC 203 BRG W/ SEAL	1.000 EA
HW4601A23	INPRO SEAL, 203 BRG, VBX	1.000 EA
HW4500S33	1/8 NPT STAINLESS #304 SS PLUG	3.000 EA
HA4054	SHORT T-DRAIN FITTING, .125" N.P.T.	1.000 EA
HW5100A03	WAVY WASHER (W1543-017)	1.000 EA
34EP1300A35E	ENDPLATE, MACH W/E-COAT	1.000 EA
HW4606A01	JM CLIPPER/SEAL (WDE-0667-1064-BH49)	1.000 EA
HW4500S33	1/8 NPT STAINLESS #304 SS PLUG	3.000 EA
HA4054	SHORT T-DRAIN FITTING, .125" N.P.T.	1.000 EA
12XN1032S20	10-32 X 1-1/4 HEX M.S. , STAINLESS STEEL	2.000 EA
34FN3002A01SP	EXTERNAL FAN, PLASTIC, .637/.639 HUB W/	1.000 EA
34FH4002A01LP2	IEC FH NO GREASER	1.000 EA
11XW1032S06	10-32 X .38, TAPTITE II, HEX WSHR SLTD U	3.000 EA
34CB4500E	CONDUIT BOX LID, E-COAT	1.000 EA
34GS1007	GASKET, CONDUIT BOX LID MODEL 34 (BLACK	1.000 EA
59XW0832S07	TAPTITE II,HEX WSHR UNSLTD SER,410 S.S.,	4.000 EA
HW2502D13	SS KEY, 3/16 SQ X 1.375	1.000 EA

Parts List (continued)		
Part Number	Description	Quantity
HA7000A04	KEY RETAINER 0.625 DIA SHAFTS	1.000 EA
MJ5001A02	732 CL SEALANT 3 OZ DIXIE BEARING 289100	0.001 EA
LB1164	LABEL,WARNING AND DRAIN	1.000 EA
MJ5001A23	P.D. GEORGE B-276 AIR DRY VARNISH	0.001 GA
LB1000	LABEL, DIRTY DUTY	1.000 EA
HW3001B02	BRASS CUP WASHER W/GROUND SYMBOL TAB,	1.000 EA
WD1000D21	TRM,T&B #B71M,RING,18-14,.25,NON-INSL	9.000 EA
85XU0407S04	4X1/4 U DRIVE PIN STAINLESS	2.000 EA
MG2000A17	RUST INHIBITOR PART # SRPO #20	0.001 GA
MG1025L01	WILKOFAS FD, 786.04, BLACK	0.014 GA
MG1500Y02	WILKOPON PRIMER YELLOW	0.010 GA
HA3100S13	THRUBOLT 10X32 X 8.00 302 OR 303 SS	4.000 EA
MN416A01	TAG-INSTAL-MAINT no wire (2100/bx) 4/22	1.000 EA
LC0005	CONN.DIA.,TY M,9-LD,DUAL VOLT,REVERSING	1.000 EA
NP3560E	SS DIRTY DUTY PLUS INV UL CSA-C US EEV 2	1.000 EA
35PA1066	PKG GRP, PRINT PK1008A06	1.000 EA
PK3083	STYROFOAM PACKING CRADLE	1.000 EA
PK3088	MICROFOAM, 8"X"8 PERF. SHEETS	1.000 EA

**AC Induction Motor Performance Data**

Record # 55785

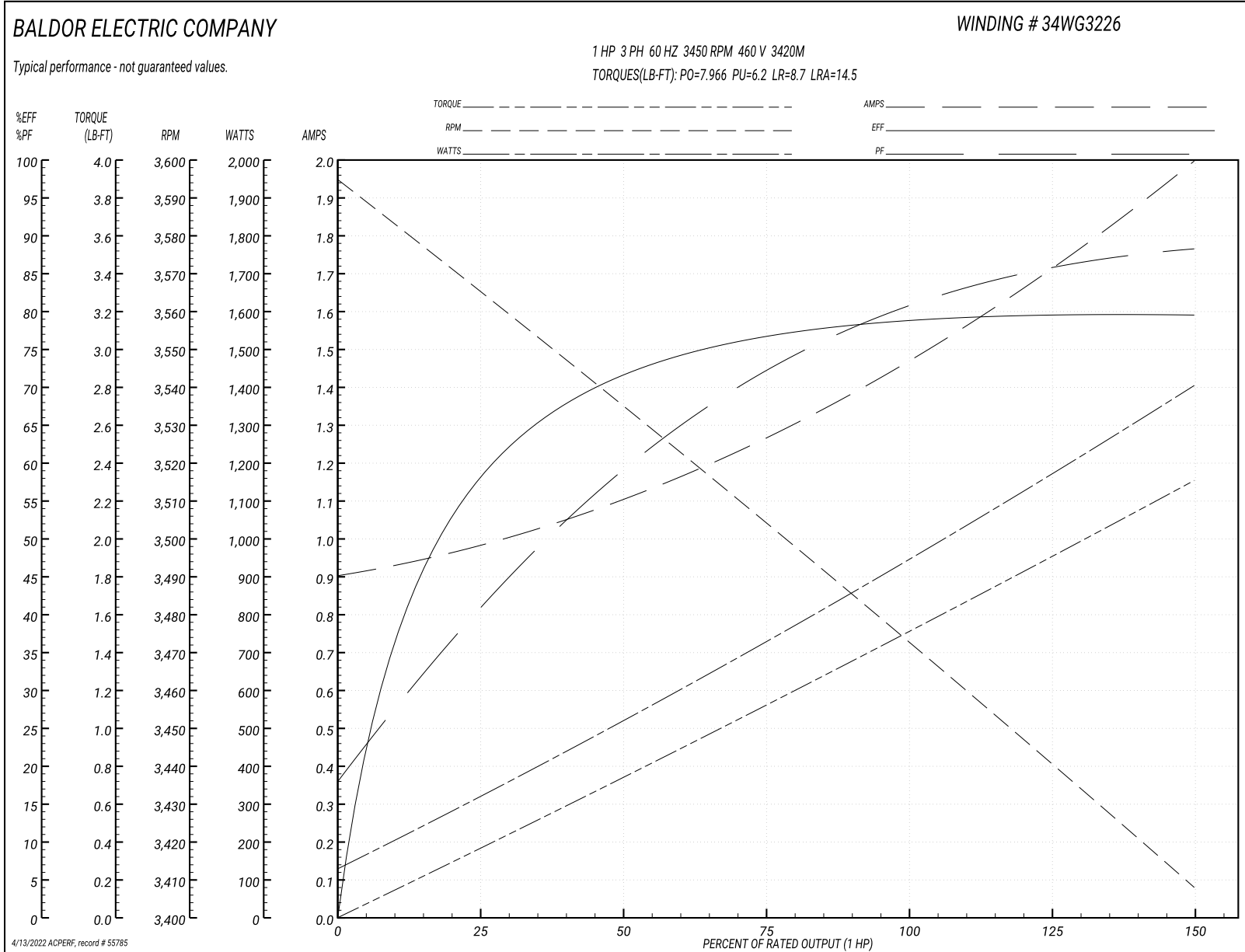
Typical performance - not guaranteed values

<b>Winding: 34WG3226-R063</b>		<b>Type: 3420M</b>		<b>Enclosure: TEFC</b>	
<b>Nameplate Data</b>			<b>460 V, 60 Hz: High Voltage Connection</b>		
<b>Rated Output (HP)</b>	1	<b>Full Load Torque</b>	1.51 LB-FT		
<b>Volts</b>	230/460	<b>Start Configuration</b>	direct on line		
<b>Full Load Amps</b>	3.2/1.6	<b>Breakdown Torque</b>	7.966 LB-FT		
<b>R.P.M.</b>	3450	<b>Pull-up Torque</b>	6.2 LB-FT		
<b>Hz</b>	60 Phase	3	<b>Locked-rotor Torque</b>	8.7 LB-FT	
<b>NEMA Design Code</b>	B	<b>KVA Code</b>	L	<b>Starting Current</b>	14.5 A
<b>Service Factor (S.F.)</b>	1.25	<b>No-load Current</b>	0.913 A		
<b>NEMA Nom. Eff.</b>	77	<b>Power Factor</b>	82	<b>Line-line Res. @ 25°C</b>	13.6 Ω
<b>Rating - Duty</b>	40C	<b>AMB-CONT</b>	Temp. Rise @ Rated Load 55°C		
<b>S.F. Amps</b>	3.6/1.8	<b>Temp. Rise @ S.F. Load</b>	74°C		

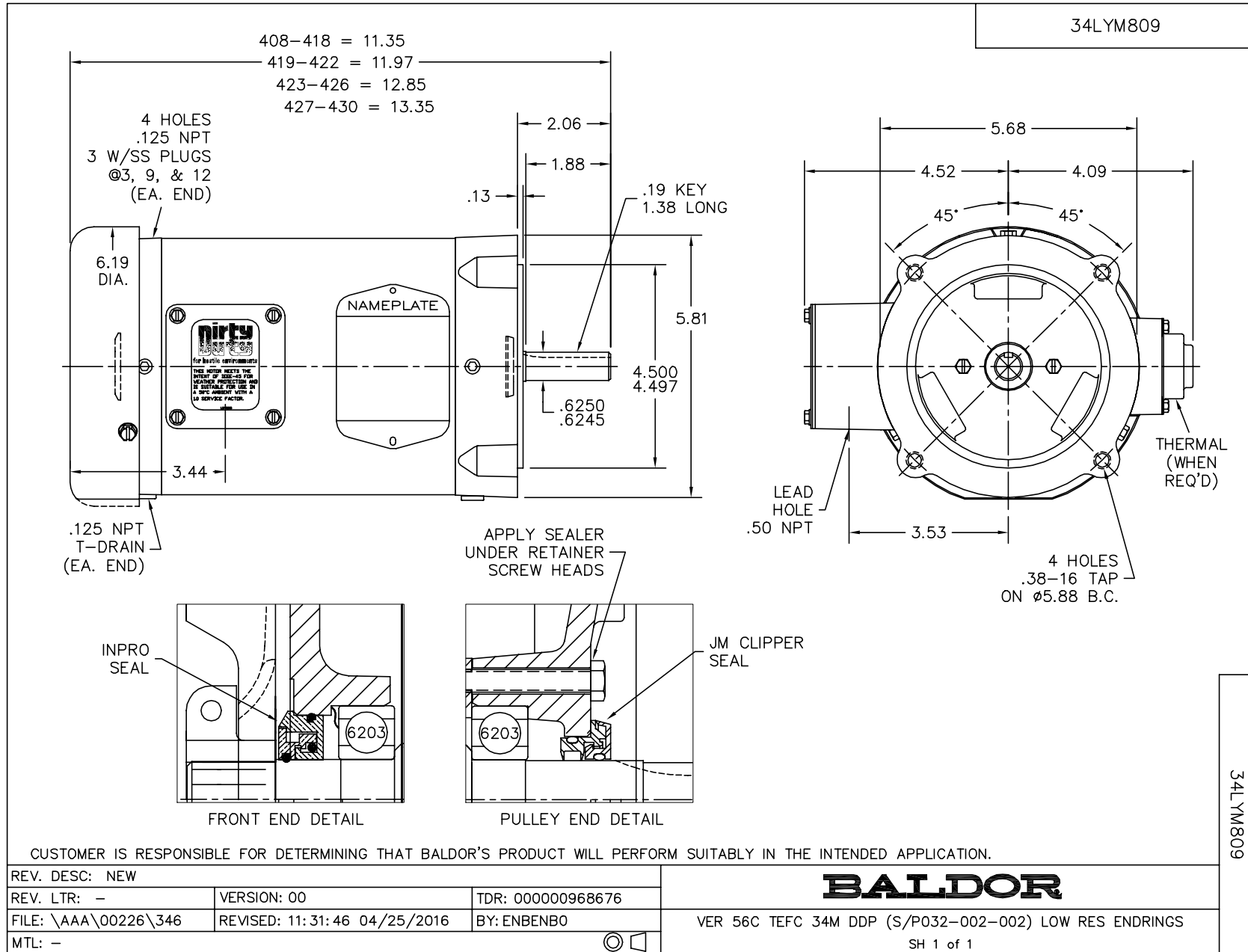
**Load Characteristics 460 V, 60 Hz, 1 HP**

<b>% of Rated Load</b>	<b>25</b>	<b>50</b>	<b>75</b>	<b>100</b>	<b>125</b>	<b>150</b>	<b>S.F.</b>
<b>Power Factor</b>	41	59	72	80	85	89	87
<b>Efficiency</b>	57.7	71.5	77.1	79.3	79.9	79.7	79.8
<b>Speed</b>	3560	3536	3506	3475	3445	3406	3422
<b>Line amperes</b>	0.967	1.09	1.27	1.47	1.7	1.99	1.87

Performance Graph at 460V, 60Hz, 1.0HP Typical performance - Not guaranteed values



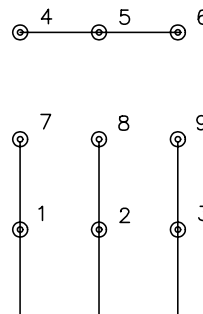




CD0005



LOW VOLTAGE  
(2Y)



LINE

HIGH VOLTAGE  
(1Y)



LINE

NOTES:

1. INTERCHANGE ANY TWO LINE LEADS TO REVERSE ROTATION.
2. OPTIONAL THERMOSTATS ARE PROVIDED WHEN SPECIFIED.
3. ACTUAL NUMBER OF INTERNAL PARALLEL CIRCUITS MAY BE A MULTIPLE OF THOSE SHOWN ABOVE.
4. LEAD COLORS ARE OPTIONAL. LEADS MUST ALWAYS BE NUMBERED AS SHOWN.

REV. DESC: REVISE TO SHOW OPTIONAL COLORS			
REV. LTR: E	BY: JLP	REVISED: 01/19/99 10:15	TDR: 0171435
900000		FILE: AAA00005140	MDL: -
		MTL: -	

**BALDOR ELECTRIC Co.**

3PH, DV, 9 LEADS

CD0005