

BALDOR® • RELIANCE 

Product Information Packet

VEM2394T

15HP,3500RPM,3PH,60HZ,254TC,0750M,TEFC,F

| Part Detail | | | | | | | |
|-------------|--------|-------------|------------|-------------|--------|---------------|------------|
| Revision: | D | Status: | PRD/A | Change #: | | Proprietary: | No |
| Type: | AC | Elec. Spec: | 07WGR536 | CD Diagram: | CD0005 | Mfg Plant: | |
| Mech. Spec: | 07H299 | Layout: | 07LYH299 | Poles: | 02 | Created Date: | 02-04-2016 |
| Base: | N | Eff. Date: | 07-11-2019 | Leads: | 9#14 | | |

| Specs | | | |
|---------------------------------|-------------------------|--------------------------------|-----------------------|
| Catalog Number: | VEM2394T | Insulation Class: | F |
| Enclosure: | TEFC | Inverter Code: | Inverter Ready |
| Frame: | 254TC | KVA Code: | H |
| Frame Material: | Iron | Lifting Lugs: | Standard Lifting Lugs |
| Output @ Frequency: | 15.000 HP @ 60 HZ | Locked Bearing Indicator: | Locked Bearing |
| Synchronous Speed @ Frequency: | 3600 RPM @ 60 HZ | Motor Lead Quantity/Wire Size: | 9 @ 14 AWG |
| Voltage @ Frequency: | 460.0 V @ 60 HZ | Motor Lead Exit: | Ko Box |
| | 230.0 V @ 60 HZ | Motor Lead Termination: | Flying Leads |
| XP Class and Group: | None | Motor Type: | 0750M |
| XP Division: | Not Applicable | Mounting Arrangement: | F1 |
| Agency Approvals: | UR | Power Factor: | 91 |
| | CSA EEV | Product Family: | General Purpose |
| | CSA | Pulley End Bearing Type: | Ball |
| Auxillary Box: | No Auxillary Box | Pulley Face Code: | C-Face |
| Auxillary Box Lead Termination: | None | Pulley Shaft Indicator: | Standard |
| Base Indicator: | No Mounting | Rodent Screen: | None |
| Bearing Grease Type: | Polyrex EM (-20F +300F) | RoHS Status: | ROHS COMPLIANT |
| Blower: | None | Shaft Extension Location: | Pulley End |

| | | | |
|---------------------------------------|---------------------------|------------------------------------|---------------------|
| Current @ Voltage: | 16.900 A @ 460.0 V | Shaft Ground Indicator: | No Shaft Grounding |
| | 33.800 A @ 230.0 V | Shaft Rotation: | Reversible |
| | 36.000 A @ 208.0 V | Shaft Slinger Indicator: | No Slinger |
| Design Code: | A | Speed Code: | Single Speed |
| Drip Cover: | No Drip Cover | Motor Standards: | NEMA |
| Duty Rating: | CONT | Starting Method: | Direct on line |
| Electrically Isolated Bearing: | Not Electrically Isolated | Thermal Device - Bearing: | None |
| Feedback Device: | NO FEEDBACK | Thermal Device - Winding: | None |
| Front Face Code: | Standard | Vibration Sensor Indicator: | No Vibration Sensor |
| Front Shaft Indicator: | None | Winding Thermal 1: | None |
| Heater Indicator: | No Heater | Winding Thermal 2: | None |

| Nameplate NP1259L | | | | | | | | | | |
|-------------------|--------------|--|------|----|----------------|------|--|----|----|---|
| CAT.NO. | VEM2394T | | | | | | | | | |
| SPEC. | 07H299R536G1 | | | | | | | | | |
| HP | 15 | | | | | | | | | |
| VOLTS | 230/460 | | | | | | | | | |
| AMP | 33.8/16.9 | | | | | | | | | |
| RPM | 3500 | | | | | | | | | |
| FRAME | 254TC | | | | HZ | 60 | | | PH | 3 |
| SER.F. | 1.15 | | CODE | H | DES | A | | CL | F | |
| NEMA-NOM-EFF | 91 | | PF | 91 | | | | | | |
| RATING | 40C AMB-CONT | | | | | | | | | |
| CC | 010A | | | | USABLE AT 208V | | | 36 | | |
| DE | 6309 | | | | ODE | 6307 | | | | |
| ENCL | TEFC | | SN | | | | | | | |
| | | | | | | | | | | |

| Parts List | | |
|---------------|--|----------|
| Part Number | Description | Quantity |
| SA314868 | SA 07H299R536G1 | 1.000 EA |
| RA302359 | RA 07H299R536G1 | 1.000 EA |
| 36FN3000C02SP | EXFN, PLASTIC, 5.25 OD, 1.175 ID | 1.000 EA |
| HW3201A05 | 3/8-16 EYEBOLT | 1.000 EA |
| 09CB3002SP | CB W/1.38 LEAD HOLE FOR 37, 39, 307 & 30 | 1.000 EA |
| 09GS1000SP | GASKET-CONDUIT BOX, 1/16 THICK LEXIDE | 1.000 EA |
| 51XW2520A12 | .25-20 X .75, TAPTITE II, HEX WSHR SLTD | 2.000 EA |
| 59XW2520G07 | .25-20X.44,HEX SER WSHR,TAPTITE 2,GREEN | 1.000 EA |
| 37PE1101A03 | FR/PU ENDPLATE, MACH | 1.000 EA |
| HW4500A01 | 1641B(ALEMITE)400 UNIV, GREASE FITT | 1.000 EA |
| HW5100A08 | W3118-035 WVY WSHR (WB) | 1.000 EA |
| 07EP1306A01 | ENDPLATE, MACH | 1.000 EA |
| HW4500A01 | 1641B(ALEMITE)400 UNIV, GREASE FITT | 1.000 EA |
| 10XN2520A36 | 1/4-20X 2 1/4 HEX HD X | 4.000 EA |
| HW1001A25 | LOCKWASHER 1/4, ZINC PLT .493 OD, .255 I | 4.000 EA |
| XY3118A12 | 5/16-18 HEX NUT DIRECTIONAL SERRATION | 4.000 EA |
| 07FH4007SP | PRIMED | 1.000 EA |
| 51XW1032A06 | 10-32 X .38, TAPTITE II, HEX WSHR SLTD S | 3.000 EA |
| 09CB3501SP | CONDUIT BOX LID FOR 09CB3001 & 09CB3002 | 1.000 EA |
| 09GS1013SP | GS FOR 09CB3501, 12CB1500 & 12CB1503 LID | 1.000 EA |
| 51XW2520A12 | .25-20 X .75, TAPTITE II, HEX WSHR SLTD | 2.000 EA |
| HW2501G25 | KEY, 3/8 SQ X 2.875 | 1.000 EA |
| HA7000A03 | KEY RETAINER RING 1.62 & 1.88 DIA. SH | 1.000 EA |
| LB1115N | LABEL,LIFTING DEVICE (ON ROLLS) | 1.000 EA |

| Parts List (continued) | | |
|-------------------------------|--|-----------------|
| Part Number | Description | Quantity |
| 85XU0407S04 | 4X1/4 U DRIVE PIN STAINLESS | 2.000 EA |
| MJ1000A02 | GREASE, MOBIL POLYREX EM - 124047 | 0.050 LB |
| HA3104A32 | THRUBOLT- 5/16-18 X12.750 | 4.000 EA |
| 51XB1214A20 | 12-14X1.25 HXWSSLD SERTYB | 1.000 EA |
| MG1000Y03 | MUNSELL 2.53Y 6.70/ 4.60, GLOSS 20, | 0.036 GA |
| LC0005E01 | CONN.DIA./WARNING LABEL (LC0005/LB1119N) | 1.000 EA |
| NP1259L | ALUM SUPER-E UL CSA-EEV CC NEMA PREMIUM | 1.000 EA |
| 07PA1011 | PKG GRP, 07 CAST IRON PK1181 | 1.000 EA |
| 07PA1095 | PKG GRP, VER 07 CAST IRON | 1.000 EA |
| MN416A01 | TAG-INSTAL-MAINT no wire (2100/bx) 4/22 | 1.000 EA |

AC Induction Motor Performance Data

Record # 57257

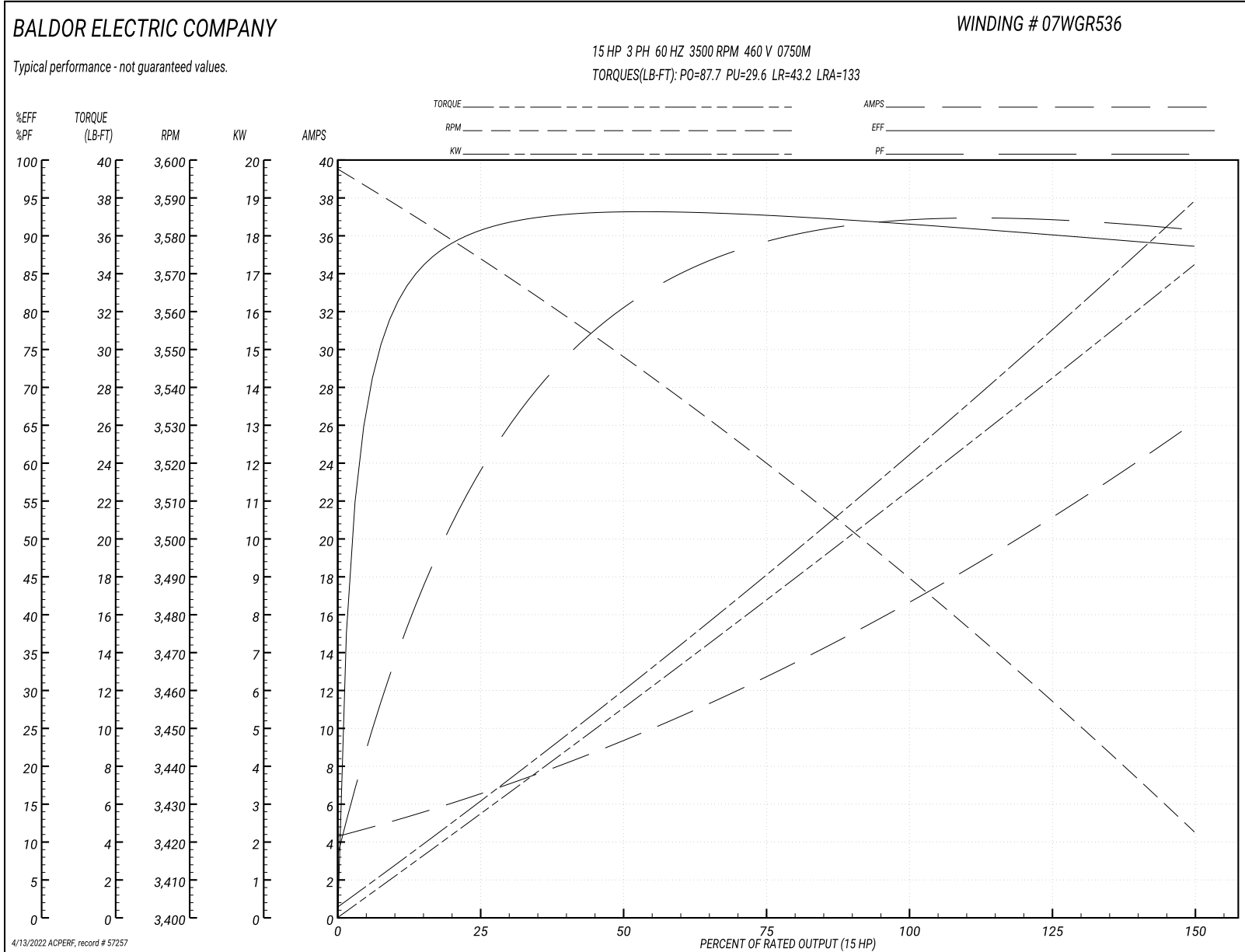
Typical performance - not guaranteed values

| Winding: 07WGR536-R002 | | Type: 0750M | | Enclosure: TEFC | |
|-------------------------------|------------------------|----------------------------|--|------------------------|--|
| Nameplate Data | | | 460 V, 60 Hz: High Voltage Connection | | |
| Rated Output (HP) | 15 | Full Load Torque | 22.6 LB-FT | | |
| Volts | 230/460 | Start Configuration | direct on line | | |
| Full Load Amps | 33.8/16.9 | Breakdown Torque | 87.7 LB-FT | | |
| R.P.M. | 3500 | Pull-up Torque | 29.6 LB-FT | | |
| Hz | 60 Phase | 3 | Locked-rotor Torque | 43.2 LB-FT | |
| NEMA Design Code | A KVA Code | H | Starting Current | 133 A | |
| Service Factor (S.F.) | 1.15 | | No-load Current | 4.61 A | |
| NEMA Nom. Eff. | 91 Power Factor | 91 | Line-line Res. @ 25°C | 0.54448 Ω | |
| Rating - Duty | 40C AMB-CONT | | Temp. Rise @ Rated Load | 66°C | |
| S.F. Amps | | | Temp. Rise @ S.F. Load | 84°C | |
| | | | Locked-rotor Power Factor | 30 | |

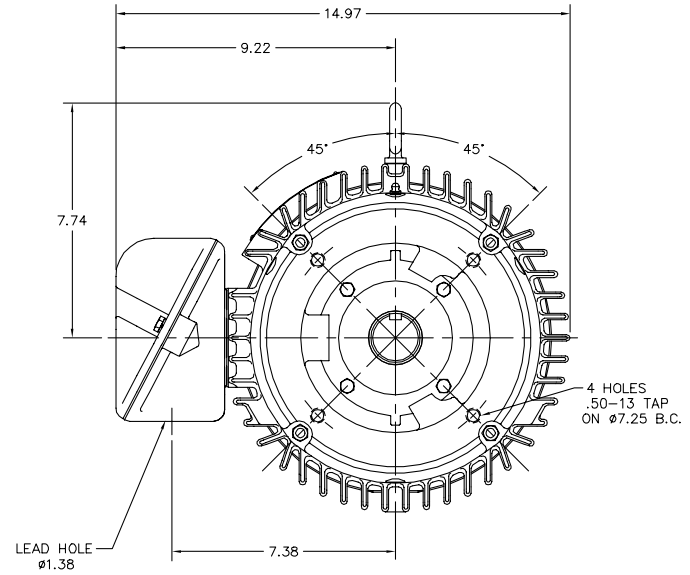
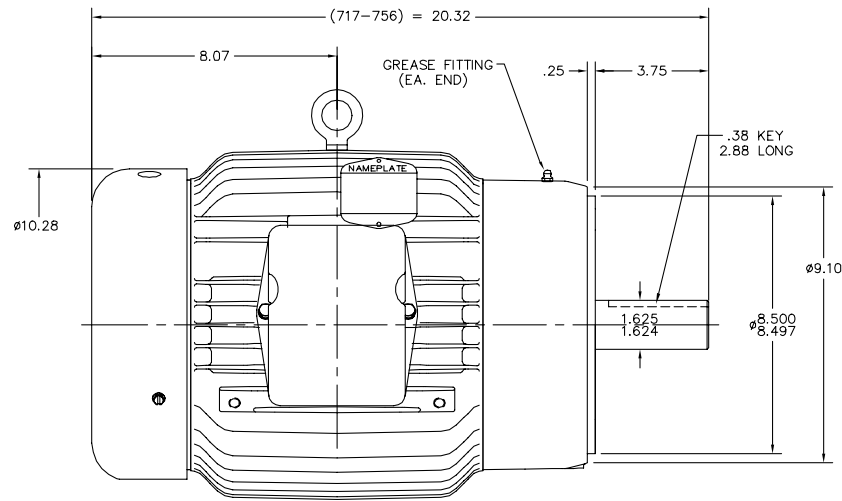
Load Characteristics 460 V, 60 Hz, 15 HP

| % of Rated Load | 25 | 50 | 75 | 100 | 125 | 150 | S.F. |
|------------------------|-----------|-----------|-----------|------------|------------|------------|-------------|
| Power Factor | 65 | 83 | 88 | 91 | 92 | 91 | 92 |
| Efficiency | 90.2 | 92.6 | 92.5 | 91.6 | 90.2 | 88.6 | 90.8 |
| Speed | 3572 | 3546.2 | 3519.8 | 3490.6 | 3457.2 | 3421.4 | 3471 |
| Line amperes | 6.18 | 9.3 | 12.9 | 16.9 | 21.4 | 26 | 19.6 |

Performance Graph at 460V, 60Hz, 15.0HP Typical performance - Not guaranteed values



07LYH299



07LYH299

CUSTOMER IS RESPONSIBLE FOR DETERMINING THAT BALDOR'S PRODUCT WILL PERFORM SUITABLY IN THE INTENDED APPLICATION.

| | | |
|---|-----------------------------|-------------------|
| REV. DESC: UPDATE LAYOUT, ADD ET,ER, THRU BOLTS | VERSION: 03 | TDR: 000000830695 |
| REV. LTR: J | REVISD: 02:15:09 12/17/2013 | BY: ENBILTO |
| FILE: \AAA\00008\855 | | |
| MTL: - | | |

BALDOR
 STD VERT 254-6TC TEFC 307M
 SH 1 of 1

CD0005



LOW VOLTAGE
(2Y)



LINE

HIGH VOLTAGE
(1Y)



LINE

NOTES:

1. INTERCHANGE ANY TWO LINE LEADS TO REVERSE ROTATION.
2. OPTIONAL THERMOSTATS ARE PROVIDED WHEN SPECIFIED.
3. ACTUAL NUMBER OF INTERNAL PARALLEL CIRCUITS MAY BE A MULTIPLE OF THOSE SHOWN ABOVE.
4. LEAD COLORS ARE OPTIONAL. LEADS MUST ALWAYS BE NUMBERED AS SHOWN.

| | | | |
|---|---------|-------------------------|--------------|
| REV. DESC: REVISE TO SHOW OPTIONAL COLORS | | | |
| REV. LTR: E | BY: JLP | REVISED: 01/19/99 10:15 | TDR: 0171435 |
| 90000 | | FILE: AAA00005140 | MDL: - |
| | | MTL: - | |

BALDOR ELECTRIC Co.

3PH, DV, 9 LEADS

CD0005