

BALDOR® • RELIANCE 

Product Information Packet

VEM2516T

25HP,3515RPM,3PH,60HZ,254TC,3938M,OPEN,F

Part Detail							
Revision:	T	Status:	PRD/A	Change #:		Proprietary:	No
Type:	AC	Elec. Spec:	39WGX424	CD Diagram:	CD0180	Mfg Plant:	
Mech. Spec:	39P021	Layout:	39LYP021	Poles:	02	Created Date:	05-01-2015
Base:	N	Eff. Date:	05-13-2021	Leads:	9#10		

Specs			
Catalog Number:	VEM2516T	Heater Indicator:	No Heater
Enclosure:	OPEN	Insulation Class:	F
Frame:	254TC	Inverter Code:	Inverter Ready
Frame Material:	Steel	KVA Code:	G
Output @ Frequency:	25.000 HP @ 60 HZ	Lifting Lugs:	Standard Lifting Lugs
Synchronous Speed @ Frequency:	3600 RPM @ 60 HZ	Locked Bearing Indicator:	Locked Bearing
Voltage @ Frequency:	460.0 V @ 60 HZ	Motor Lead Quantity/Wire Size:	9 @ 10 AWG
	230.0 V @ 60 HZ	Motor Lead Exit:	Ko Box
XP Class and Group:	None	Motor Lead Termination:	Flying Leads
XP Division:	Not Applicable	Motor Type:	3938M
Agency Approvals:	UR	Mounting Arrangement:	F1
	CSA EEV	Power Factor:	89
	CSA	Product Family:	General Purpose
Auxillary Box:	No Auxillary Box	Pulley End Bearing Type:	Ball
Auxillary Box Lead Termination:	None	Pulley Face Code:	C-Face
Base Indicator:	No Mounting	Pulley Shaft Indicator:	Standard
Bearing Grease Type:	Polyrex EM (-20F +300F)	Rodent Screen:	None
Blower:	None	Shaft Extension Location:	Pulley End

Current @ Voltage:	28.000 A @ 460.0 V	Shaft Ground Indicator:	No Shaft Grounding
	56.000 A @ 230.0 V	Shaft Rotation:	Reversible
	62.000 A @ 208.0 V	Shaft Slinger Indicator:	No Slinger
Design Code:	A	Speed Code:	Single Speed
Drip Cover:	Drip Cover	Motor Standards:	NEMA
Duty Rating:	CONT	Starting Method:	Direct on line
Electrically Isolated Bearing:	Not Electrically Isolated	Thermal Device - Bearing:	None
Feedback Device:	NO FEEDBACK	Thermal Device - Winding:	None
Front Face Code:	Drip Cover Mounting	Vibration Sensor Indicator:	No Vibration Sensor
Front Shaft Indicator:	None	Winding Thermal 1:	None
		Winding Thermal 2:	None

Nameplate NP3554LUA										
CAT.NO.	VEM2516T			P/N				ENCL	OPEN	
SPEC.	39P021X424G1		CC	010A	FRAME	254TC		SER.NO.		
HP	25		CLASS	F	HZ	60				
RPM	3515		PH	3	DES	A				
VOLTS	230/460			CODE	G		ODE BRG	6208	DE BRG	6309
AMPS	56/28		USABLE AT 208V	62						
RATING	40C AMB-CONT			NEMA-NOM-EFF	91.7		GREASE	POLYREX EM		
PF	89	SER.F.	1.15		CT30-60(2:1) VT3-60(20:1)					
USABLE AT	50HZ 25HP 190/380V 68/34A				SF 1.0					
HTR-VOLTS		HTR-AMPS		MAX. SPACE HEATER TEMP.						

Parts List		
Part Number	Description	Quantity
SA300117	SA 39P021X424G1	1.000 EA
RA287163	RA 39P021X424G1	1.000 EA
HA6016	ADAPTER, CAST CONDUIT BOX	1.000 EA
09CB3003	CB W/1.75" DIA LD HL - 37, 39, 307 & 309	1.000 EA
51XW2520A12	.25-20 X .75, TAPTITE II, HEX WSHR SLTD	2.000 EA
WD1000B16	T&B CX70TN OR L70P TERMINAL LUG	1.000 EA
59XW2520G07	.25-20X.44,HEX SER WSHR,TAPTITE 2,GREEN	1.000 EA
39EP3200A02	FR E P, MACH - DR CVR MTG	1.000 EA
39AD2002A01	BAFFLE PLATE 39 OPEN, SLOTTED BAND MTRS	1.000 EA
HW5100A08	W3118-035 WVY WSHR (WB)	1.000 EA
10XN2520K28	1/4-20 X 1.75" HX HD SCRWGRADE 5, ZINC P	4.000 EA
HW1001A25	LOCKWASHER 1/4, ZINC PLT .493 OD, .255 I	4.000 EA
39EP3400A01	STD FACE MTD ENDPLATE 309 BRG	1.000 EA
HA3154A05	THRUBOLT STUD 3/8-16 X 16.875	4.000 EA
XY3816A12	3/8-16 FINISHED NUT	8.000 EA
HW1001A38	LOCKWASHER 3/8, ZINC PLT .688 OD, .382 I	1.000 EA
39FH4500A01	DRIP COVER, STAMPED	1.000 EA
10XN2520K16	1/4-20 X 1" HX HD SCRW GRADE 5, ZINC P	2.000 EA
HA2001B08	SPL SPACER FOR AIR DEFLECTOR .50 O.D. X	2.000 EA
09CB3501SP	CONDUIT BOX LID FOR 09CB3001 & 09CB3002	1.000 EA
51XW2520A12	.25-20 X .75, TAPTITE II, HEX WSHR SLTD	2.000 EA
HW2501G25	KEY, 3/8 SQ X 2.875	1.000 EA
LB1115N	LABEL,LIFTING DEVICE (ON ROLLS)	1.000 EA
PK6016	BASELESS FOOT BRACKET FOR 39 & 40 FRAME	3.000 EA

Parts List (continued)		
Part Number	Description	Quantity
10XN5013K20	1/2-13 X 1.25 LON HEX HD SCREW SAME AS	2.000 EA
HW1000A50	1/2 SAE FLAT WASHERS	2.000 EA
XY3816A12	3/8-16 FINISHED NUT	1.000 EA
HW4500A03	GREASE FITTING, .125 NPT 1610(ALEMITE) 8	1.000 EA
HW4500A20	1/8NPT SL PIPE PLUG	1.000 EA
HA4051A00	PLASTIC CAP FOR GREASE FITTING	1.000 EA
MJ1000A02	GREASE, MOBIL POLYREX EM - 124047	0.030 LB
HW4500A03	GREASE FITTING, .125 NPT 1610(ALEMITE) 8	1.000 EA
HW4500A20	1/8NPT SL PIPE PLUG	1.000 EA
HA4051A00	PLASTIC CAP FOR GREASE FITTING	1.000 EA
MG1000Y03	MUNSELL 2.53Y 6.70/ 4.60, GLOSS 20,	0.050 GA
85XU0407S04	4X1/4 U DRIVE PIN STAINLESS	4.000 EA
LB1119N	WARNING LABEL	1.000 EA
LC0181	CONNECTION LABEL	1.000 EA
NP3554LUA	SS SUPER-E VPWM INV READY UL CSA-EEV PRE	1.000 EA
39PA1000	PACKAGING GROUP 39 PRINT	1.000 EA
MN416A01	TAG-INSTAL-MAINT no wire (2100/bx) 4/22	1.000 EA
LD7020E09	LEAD SET, 10AWG, 9 LEAD, 20" LONG LEADS	1.000 EA

AC Induction Motor Performance Data

Record # 32011

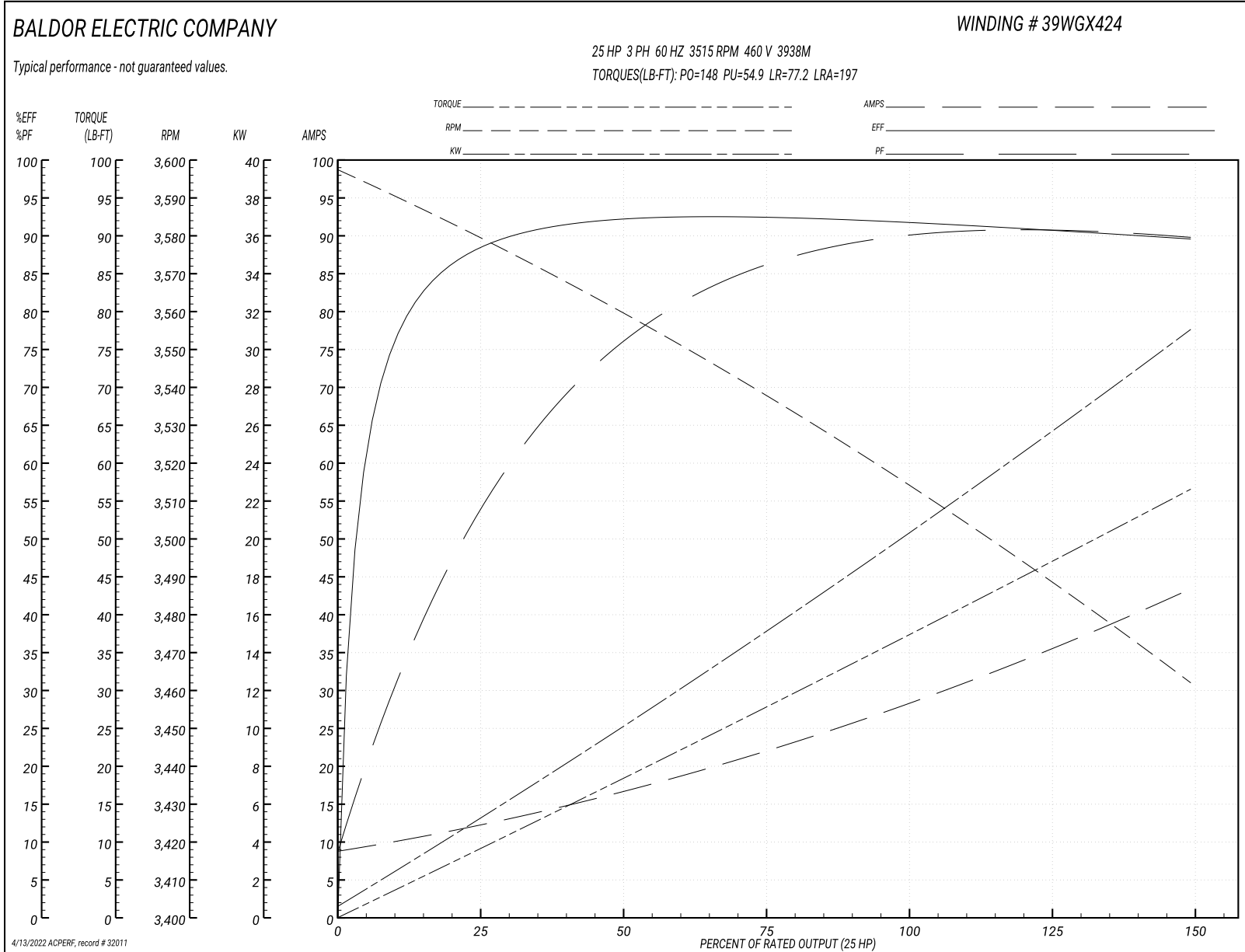
Typical performance - not guaranteed values

Winding: 39WGX424-R001		Type: 3938M	Enclosure: OPSB	
Nameplate Data			460 V, 60 Hz: High Voltage Connection	
Rated Output (HP)	25	Full Load Torque	37.2 LB-FT	
Volts	230/460	Start Configuration	direct on line	
Full Load Amps	56/28	Breakdown Torque	148 LB-FT	
R.P.M.	3515	Pull-up Torque	54.9 LB-FT	
Hz	60 Phase	Locked-rotor Torque	77.2 LB-FT	
NEMA Design Code	B KVA Code	Starting Current	197 A	
Service Factor (S.F.)	1.15	No-load Current	8.48 A	
NEMA Nom. Eff.	91.7 Power Factor	Line-line Res. @ 25°C	0.38245 Ω	
Rating - Duty	40C AMB-CONT	Temp. Rise @ Rated Load	46°C	
S.F. Amps		Temp. Rise @ S.F. Load	57°C	
		Locked-rotor Power Factor	28.7	
		Rotor inertia	0.971 lb-ft ²	

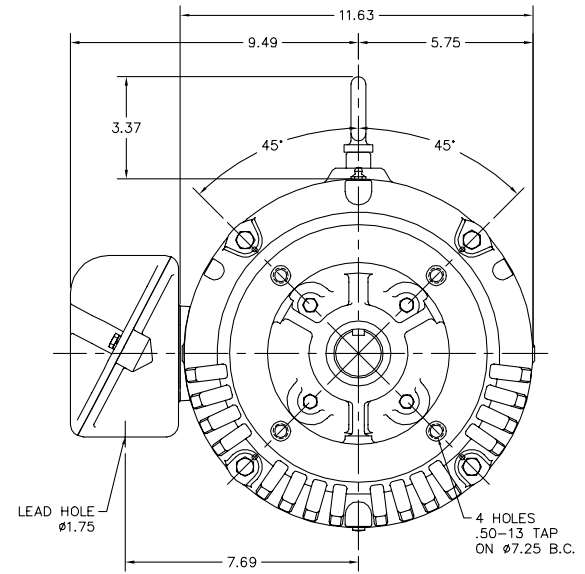
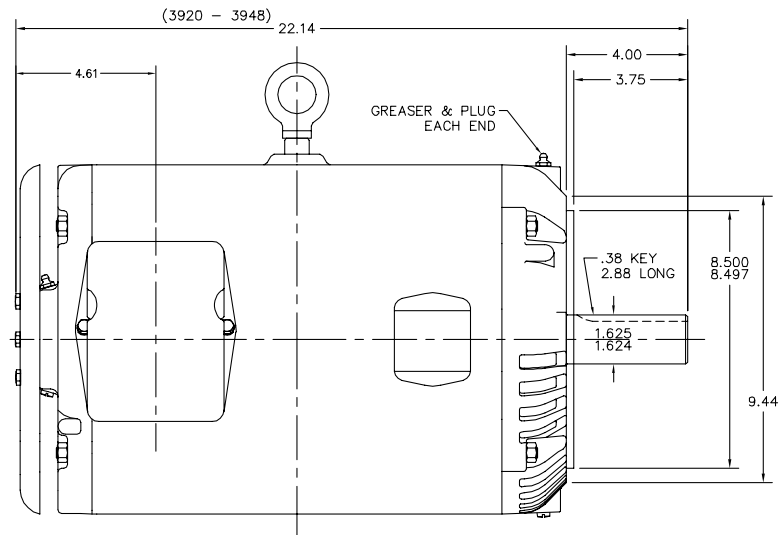
Load Characteristics 460 V, 60 Hz, 25 HP

% of Rated Load	25	50	75	100	125	150	S.F.
Power Factor	50	79	86	89	90	90	90
Efficiency	87.5	91.8	92.3	91.7	90.7	89.4	91.1
Speed	3578.1	3559.4	3538.9	3515.1	3490	3461	3500
Line amperes	13.1	15.8	21.8	28.4	35.6	43.3	32.7

Performance Graph at 460V, 60Hz, 25.0HP Typical performance - Not guaranteed values



39LYP021



39LYP021

CUSTOMER IS RESPONSIBLE FOR DETERMINING THAT THE PRODUCT WILL PERFORM SUITABLY IN THE INTENDED APPLICATION.

REV. DESC: 09CB3003 WAS '3002(LIFE-CYCLE)	VERSION: 04	TDR: 000001166928
REV. LTR: E	REVISED: 02:56:33 05/04/2021	BY: ENFRAJO
FILE: \AAA\00071\543		
MTL: -		

BALDOR - RELIANCE®

VER OPEN 254-6TC DRIP CVR SPL BAFFLE

SH 1 of 1

CD0180



LOW VOLTAGE
(2D)



HIGH VOLTAGE
(1D)



NOTES:

1. INTERCHANGE ANY TWO LINE LEADS TO REVERSE ROTATION.
2. OPTIONAL THERMOSTATS ARE PROVIDED WHEN SPECIFIED.
3. ACTUAL NUMBER OF INTERNAL PARALLEL CIRCUITS MAY BE A MULTIPLE OF THOSE SHOWN ABOVE.
4. LEAD COLORS ARE OPTIONAL. LEADS MUST ALWAYS BE NUMBERED AS SHOWN.

CD0180

REV. DESC: ADD CLASS CONN00000007		
REV. LTR: D	VERSION: 01	TDR: 000001099922
FILE: \AAA\00005\148	REVISED: 10:25:29 02/19/2019	BY: ENBRIRO
MTL: -	© □	

BALDOR - RELIANCE®

3PH, DV, 9 LEADS, DELTA CONNECTION

SH 1 of 1

Marketing maintained PDF of MN416:

<http://www.baldor.com/support/Literature/Load.ashx/MN416?ManNumber=MN416>