

**BALDOR® • RELIANCE** 

**Product Information Packet**

**VEM3711T**

**10HP,3505RPM,3PH,60HZ,215TC,3732M,TEFC,F**

| Part Detail |        |             |            |             |        |               |            |
|-------------|--------|-------------|------------|-------------|--------|---------------|------------|
| Revision:   | -      | Status:     | PRD/A      | Change #:   |        | Proprietary:  | No         |
| Type:       | AC     | Elec. Spec: | 37WGL871   | CD Diagram: | CD0005 | Mfg Plant:    |            |
| Mech. Spec: | 37H329 | Layout:     | 37LYH329   | Poles:      | 02     | Created Date: | 01-04-2021 |
| Base:       | N      | Eff. Date:  | 01-08-2021 | Leads:      | 9#14   |               |            |

| Specs                           |                         |                                |                       |
|---------------------------------|-------------------------|--------------------------------|-----------------------|
| Catalog Number:                 | VEM3711T                | Heater Indicator:              | No Heater             |
| Enclosure:                      | TEFC                    | Insulation Class:              | F                     |
| Frame:                          | 215TC                   | Inverter Code:                 | Inverter Ready        |
| Frame Material:                 | Steel                   | KVA Code:                      | J                     |
| Output @ Frequency:             | 10.000 HP @ 60 HZ       | Lifting Lugs:                  | Standard Lifting Lugs |
| Synchronous Speed @ Frequency:  | 3600 RPM @ 60 HZ        | Locked Bearing Indicator:      | Locked Bearing        |
| Voltage @ Frequency:            | 208.0 V @ 60 HZ         | Motor Lead Quantity/Wire Size: | 9 @ 14 AWG            |
|                                 | 460.0 V @ 60 HZ         | Motor Lead Exit:               | Ko Box                |
|                                 | 230.0 V @ 60 HZ         | Motor Lead Termination:        | Flying Leads          |
| XP Class and Group:             | None                    | Motor Type:                    | 3732M                 |
| XP Division:                    | Not Applicable          | Mounting Arrangement:          | F1                    |
| Agency Approvals:               | CSA                     | Power Factor:                  | 87                    |
|                                 | CSA EEV                 | Product Family:                | General Purpose       |
|                                 | UR                      | Pulley End Bearing Type:       | Ball                  |
| Auxillary Box:                  | No Auxillary Box        | Pulley Face Code:              | C-Face                |
| Auxillary Box Lead Termination: | None                    | Pulley Shaft Indicator:        | Standard              |
| Base Indicator:                 | No Mounting             | Rodent Screen:                 | None                  |
| Bearing Grease Type:            | Polyrex EM (-20F +300F) | Shaft Extension Location:      | Pulley End            |

|                                       |                           |                                    |                     |
|---------------------------------------|---------------------------|------------------------------------|---------------------|
| <b>Blower:</b>                        | None                      | <b>Shaft Ground Indicator:</b>     | No Shaft Grounding  |
| <b>Current @ Voltage:</b>             | 24.400 A @ 208.0 V        | <b>Shaft Rotation:</b>             | Reversible          |
|                                       | 23.800 A @ 230.0 V        | <b>Shaft Slinger Indicator:</b>    | No Slinger          |
|                                       | 11.900 A @ 460.0 V        | <b>Speed Code:</b>                 | Single Speed        |
| <b>Design Code:</b>                   | A                         | <b>Motor Standards:</b>            | NEMA                |
| <b>Drip Cover:</b>                    | No Drip Cover             | <b>Starting Method:</b>            | Direct on line      |
| <b>Duty Rating:</b>                   | CONT                      | <b>Thermal Device - Bearing:</b>   | None                |
| <b>Electrically Isolated Bearing:</b> | Not Electrically Isolated | <b>Thermal Device - Winding:</b>   | None                |
| <b>Feedback Device:</b>               | NO FEEDBACK               | <b>Vibration Sensor Indicator:</b> | No Vibration Sensor |
| <b>Front Face Code:</b>               | Standard                  | <b>Winding Thermal 1:</b>          | None                |
| <b>Front Shaft Indicator:</b>         | None                      | <b>Winding Thermal 2:</b>          | None                |



| Parts List    |  |          |
|---------------|--|----------|
| Part Number   | Description                              | Quantity |
| SA389289      | SA 37H329L871G1                          | 1.000 EA |
| RA379665      | RA 37H329L871G1                          | 1.000 EA |
| 36FN3000C02SP | EXFN, PLASTIC, 5.25 OD, 1.175 ID         | 1.000 EA |
| HW3200A01     | 3/8-16X3/4 I-BLT WELDED F/S              | 1.000 EA |
| 37CB3006      | 37 CB CASTING W/1.38 LEAD HOLE @ 6:00    | 1.000 EA |
| 37GS1000SP    | GASKET, CONDUIT BOX STD., .06 THICK LEXI | 1.000 EA |
| 51XW2520A12   | .25-20 X .75, TAPTITE II, HEX WSHR SLTD  | 2.000 EA |
| 11XW1032G06   | 10-32 X .38, TAPTITE II, HEX WSHR SLTD U | 1.000 EA |
| 37EP3101A01   | FR ENDPLATE, FOR ROUTING PURPOSES        | 1.000 EA |
| HW4500A01     | 1641B(ALEMITE)400 UNIV, GREASE FITT      | 1.000 EA |
| HW5100A06     | W2420-025 WVY WSHR (WB)                  | 1.000 EA |
| 37PE3300A01   | PUEP ASSEMBLY FOR ROUTING                | 1.000 EA |
| HW4500A01     | 1641B(ALEMITE)400 UNIV, GREASE FITT      | 1.000 EA |
| 10XN2520A30   | HEX HD CAP SCREW-STD THD-.25 X 20 THD PE | 4.000 EA |
| HW1001A25     | LOCKWASHER 1/4, ZINC PLT .493 OD, .255 I | 4.000 EA |
| XY3118A12     | 5/16-18 HEX NUT DIRECTIONAL SERRATION    | 4.000 EA |
| 51XB1214A20   | 12-14X1.25 HXWSSLD SERTYB                | 1.000 EA |
| 07FH4007SP    | PRIMED                                   | 1.000 EA |
| 51XW1032A06   | 10-32 X .38, TAPTITE II, HEX WSHR SLTD S | 3.000 EA |
| 37CB4516      | LIPPED LID FOR 37 FRAME NEC KOBX         | 1.000 EA |
| 37GS1008      | 37 GS FOR CB LID - LEXIDE                | 1.000 EA |
| 51XW0832A07   | 8-32 X .44, TAPTITE II, HEX WSHR SLTD SE | 4.000 EA |
| HW2501F21     | KEY, 5/16 SQ X 2.375                     | 1.000 EA |
| HA7000A02     | KEY RETAINER RING, 1 1/8 DIA, 1 3/8 DIA  | 1.000 EA |

| <b>Parts List (continued)</b> |  |                 |
|-------------------------------|--|-----------------|
| <b>Part Number</b>            | <b>Description</b>                       | <b>Quantity</b> |
| 85XU0407S04                   | 4X1/4 U DRIVE PIN STAINLESS              | 2.000 EA        |
| LB1115N                       | LABEL,LIFTING DEVICE (ON ROLLS)          | 1.000 EA        |
| MJ1000A02                     | GREASE, MOBIL POLYREX EM - 124047        | 0.050 LB        |
| MG1000Y03                     | MUNSELL 2.53Y 6.70/ 4.60, GLOSS 20,      | 0.028 GA        |
| HA3104A14                     | THRUBOLT- 5/16-18 X12.125(OHIO)          | 4.000 EA        |
| LC0005E01                     | CONN.DIA./WARNING LABEL (LC0005/LB1119N) | 1.000 EA        |
| NP3441LUA                     | ALUM SUPER-E VPWM INV READY UL CSA-EEV C | 1.000 EA        |
| G0PA1000                      | PKG GRP, PRINT PK1026A06                 | 1.000 EA        |
| PK3082                        | STYROFOAM CRADLE                         | 1.000 EA        |
| MN416A01                      | TAG-INSTAL-MAINT no wire (2100/bx) 4/22  | 1.000 EA        |

**AC Induction Motor Performance Data**

Record # 86037

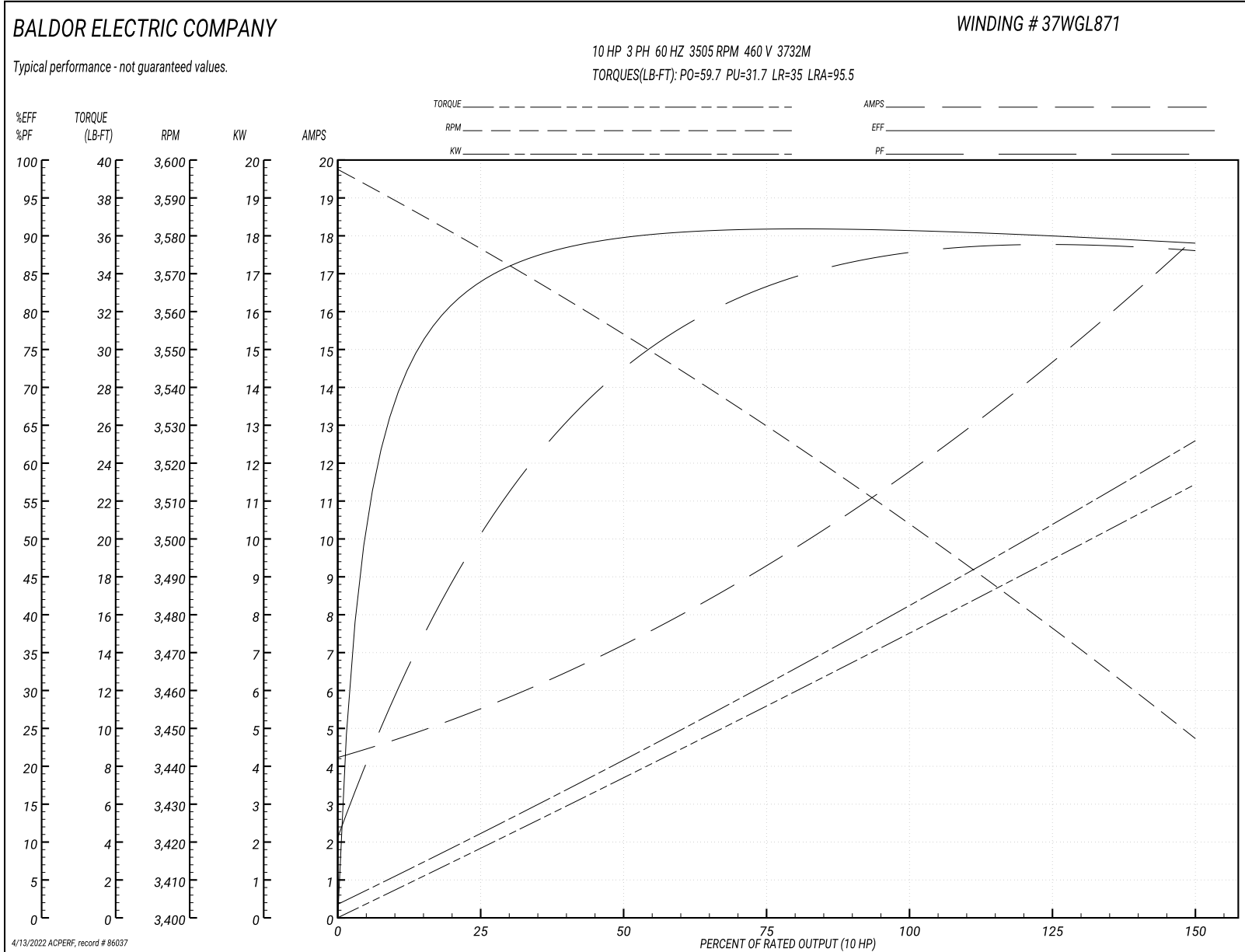
Preliminary Data Sheet

| <b>Winding: 37WGL871-R001</b> |                 | <b>Type: 3732M</b>         |  | <b>Enclosure: TEFC</b>       |         |
|-------------------------------|-----------------|----------------------------|--|------------------------------|---------|
| <b>Nameplate Data</b>         |                 |                            | <b>460 V, 60 Hz:<br/>High Voltage Connection</b> |                              |         |
| <b>Rated Output (HP)</b>      | 10              | <b>Full Load Torque</b>    | 15 LB-FT   |                              |         |
| <b>Volts</b>                  | 208-230/460     | <b>Start Configuration</b> | direct on line                                   |                              |         |
| <b>Full Load Amps</b>         | 24.4-23.8/11.9  | <b>Breakdown Torque</b>    | 59.7 LB-FT                                       |                              |         |
| <b>R.P.M.</b>                 | 3505            | <b>Pull-up Torque</b>      | 31.7 LB-FT                                       |                              |         |
| <b>Hz</b>                     | 60 <b>Phase</b> | 3                          | <b>Locked-rotor Torque</b>                       | 35 LB-FT                     |         |
| <b>NEMA Design Code</b>       | A               | <b>KVA Code</b>            | J  | <b>Starting Current</b>      | 95.5 A  |
| <b>Service Factor (S.F.)</b>  | 1.15            |                            | <b>No-load Current</b>                           | 4.43 A                       |         |
| <b>NEMA Nom. Eff.</b>         | 90.2            | <b>Power Factor</b>        | 87   | <b>Line-line Res. @ 25°C</b> | 0.846 Ω |
| <b>Rating - Duty</b>          | 40C AMB-CONT    |                            | <b>Temp. Rise @ Rated Load</b>                   | 72°C                         |         |
| <b>S.F. Amps</b>              | 27/13.5         |                            | <b>Temp. Rise @ S.F. Load</b>                    | 94°C                         |         |
|                               |                 |                            | <b>Locked-rotor Power Factor</b>                 | 41.6                         |         |
|                               |                 |                            | <b>Rotor inertia</b>                             | 0.292 lb-ft <sup>2</sup>     |         |

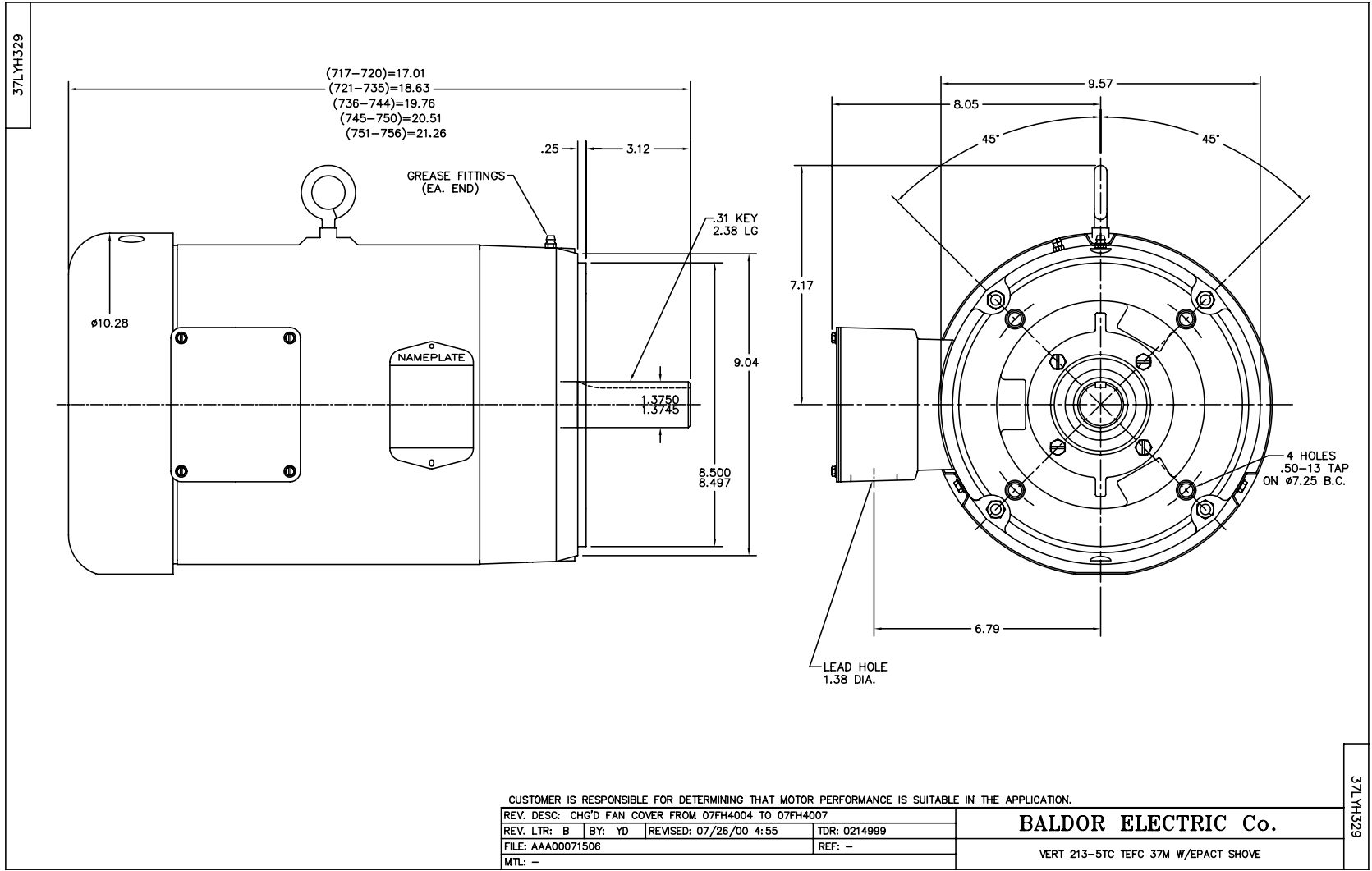
**Load Characteristics 460 V, 60 Hz, 10 HP**

| <b>% of Rated Load</b> | <b>25</b> | <b>50</b> | <b>75</b> | <b>100</b> | <b>125</b> | <b>150</b> | <b>S.F.</b> |
|------------------------|-----------|-----------|-----------|------------|------------|------------|-------------|
| <b>Power Factor</b>    | 51        | 73        | 82        | 86         | 88         | 89         | 88          |
| <b>Efficiency</b>      | 87        | 91.1      | 91.6      | 91         | 90         | 88.7       | 91.5        |
| <b>Speed</b>           | 3576      | 3554      | 3530      | 3504       | 3477       | 3447       | 3488        |
| <b>Line amperes</b>    | 5.26      | 7.07      | 9.36      | 11.9       | 14.8       | 17.8       | 13.6        |

Performance Graph at 460V, 60Hz, 10.0HP Typical performance - Not guaranteed values







CD0005



LOW VOLTAGE  
(2Y)



LINE

HIGH VOLTAGE  
(1Y)



LINE

NOTES:

1. INTERCHANGE ANY TWO LINE LEADS TO REVERSE ROTATION.
2. OPTIONAL THERMOSTATS ARE PROVIDED WHEN SPECIFIED.
3. ACTUAL NUMBER OF INTERNAL PARALLEL CIRCUITS MAY BE A MULTIPLE OF THOSE SHOWN ABOVE.
4. LEAD COLORS ARE OPTIONAL. LEADS MUST ALWAYS BE NUMBERED AS SHOWN.

|   |         |                         |              |
|---|---------|-------------------------|--------------|
| REV. DESC: REVISE TO SHOW OPTIONAL COLORS |         |                         |              |
| REV. LTR: E                               | BY: JLP | REVISED: 01/19/99 10:15 | TDR: 0171435 |
| 90000                                     |         | FILE: AAA00005140       | MDL: -       |
|   |         | MTL: -                  |              |

**BALDOR ELECTRIC Co.**

3PH, DV, 9 LEADS

CD0005