



GE INDUSTRIAL MOTORS
a **WOLONG** company

Product Technical Information

September 9, 2022

Data shown is for the current revision model #. Ensure your nameplate model # matches.

Model Number:	5KE254DAE6021
Catalog Number:	VF118
Instruction Manual:	GEK-95353
Connection Diagram:	GEM2034E-FIG9
Outline Drawing:	4002B5825NSP5210

Accessory Connection Diagrams

Bearing Thermocouple:	None	Heater:	3027JE-1C
RTD:	None	Thermistor:	None
Thermostat:	None	Winding Thermocouple:	None
Bearing RTD:	None		

Table of Contents

Specification	01
Performance Characteristics	02
Outline Drawing	03
Connection Drawing(s)	04
Spare parts	05

Marks:

MODEL NUMBER:	5KE254DAE6021	Estimated Weight:	280 Lbs
Outline Drawing:	4002B5825NSP5210	Time Rating:	CONT
Connection Diagram:	GEM2034E-FIG9	Enclosure:	WPI
Instruction Book:	GEK-95353	Encl Construction:	OPEN
Design Code:	25BD1335A	Ambient Max(°C):	40
Type:	KE	Alt Ambient Max(°C):	--
Frame:	L254TP10	Insulation Class:	H
Phases:	3	NEMA Design:	B
Poles:	4	Nominal Efficiency:	91.0 %
Output Power:	15HP 11.1KW	Guaranteed Efficiency:	89.5 %
RPM:	1775	3/4 Load Efficiency:	--
Voltage:	200-230/460	KVA Code:	G
Hertz:	60	Max KVAR:	6.3
Amps - FL:	41.7-38.8/19.4	Power Factor:	79.5
Service Factor:	1.15	Bearing - DE:	7309
Alt Service Factor:	--	Bearing - ODE:	6209-2ZC3

Enclosure is Weather Protected One

Stamped Nameplate Notes:

NEMA ENCL WPI AND CSA ENCL DP
 ROT CCW FACING ODE LEAD/PH SEQUENCE 1-2-3/1-2-3
 HTR LDS HE1-HE2 115V 60W
 INVERTER DUTY PER NEMA MG1 PART 31
 ALTERNATE RATING FOR PWM CONTROL:
 1.0 SF VAR TORQUE RANGE 5-60 HZ
 SUITABLE FOR 10 HP, 190/380 V, 50 HZ
 32.5/ 16.3 AMPS



Additional Information:

4P - TP EXTN
C/BOX 137 CU IN-1.25 NPT
AUX LEADS EXIT WITH MOTOR LEADS
RCF 5000 CPM, STATIC DEFLECTION .0014 INCHES &
CENTER OF GRAVITY 10.75 INCHES
HOLLOW SHAFT HIGH THRUST
NON REV CPLG W/BX=1.18" KW=0.25"
OIL RESISTANT SLEEVING ON LEADS
BEARING LIFE 8760 HOURS AT 2574 LB THRUST
FIRE PUMP MOTOR
ESTIMATED SOUND PRESSURE < 80 DBA@ 1 METER



Performance Characteristics

1st Winding 1st Connection

Design: 25BD1335A

Marks:

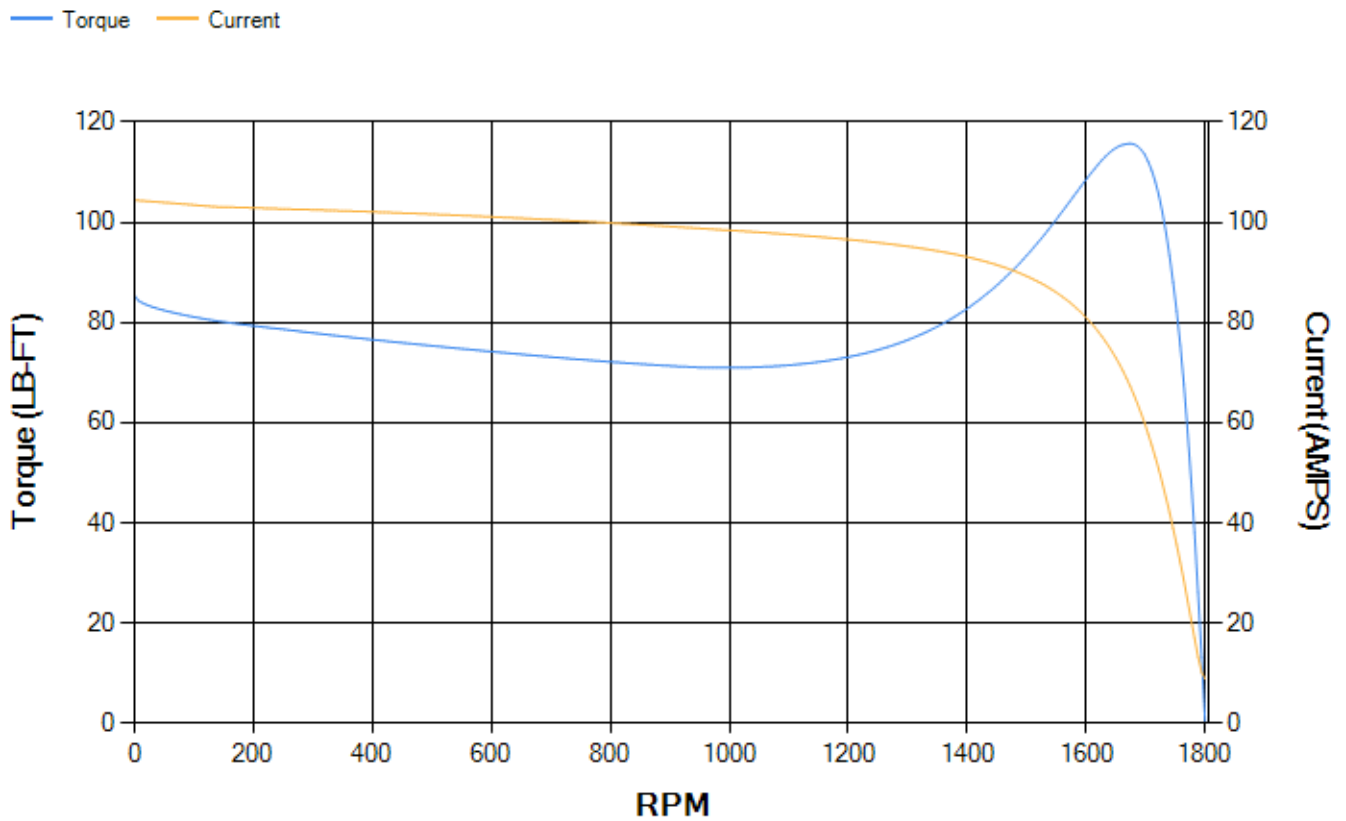
LOAD %	125.0	115.0	100.0	75.0	50.0	25.0	0.0
% EFF	91.29	91.69	92.37	92.58	92.04	88.28	0.00
% PF	82.42	81.6	79.73	74.04	62.56	40.29	4.51
AMPS	23.32	21.58	19.06	15.36	12.19	9.87	8.84

TORQ(FL)#FT	44.36	TORQ(LR)%FL	192.51	TORQ(BD)%FL	259.83
AMPS(LR)	104.42	PF AT START	0.46		

This motor is capable of two cold or one hot start with a maximum connected load inertia of 421 Lb-Ft Sq (17.72 Kg-meter Sq)at 100% voltage, where the load torque varies with the square of the speed. Acceleration time with maximum inertia and the above load type is 38 seconds. Safe stall time at 100% voltage is 83 seconds cold, 65 seconds hot. Rotor inertia is 1.77 Lb-Ft Sq (0.07 Kg-meter Sq).

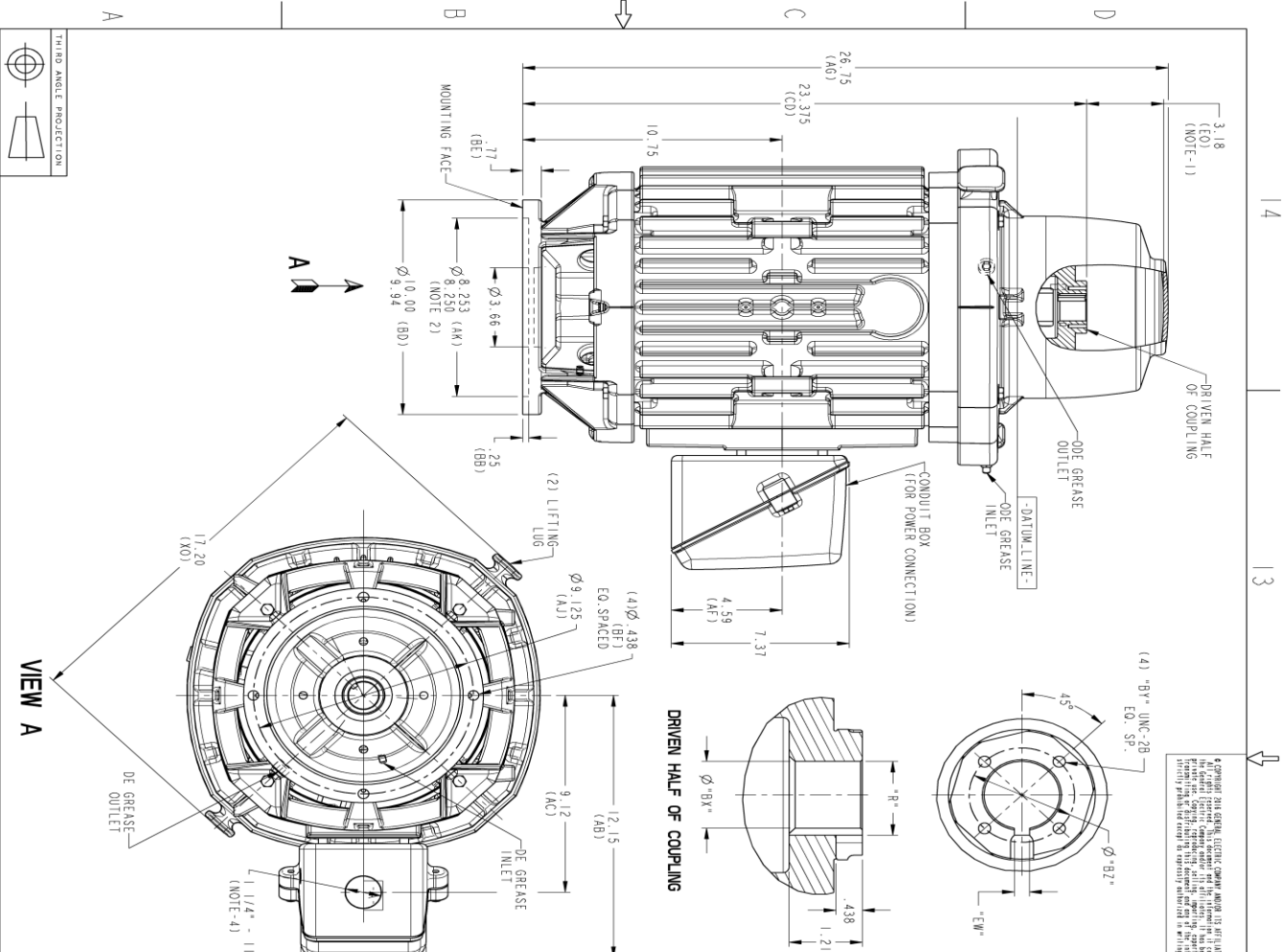
Open Circuit A-C:	0.39	Short Circuit D-C:	0.012
Short Circuit A-C:	0.026	X/R Ratio:	4.605
Stator Slots:	48	Rotor Slots:	40

Speed Torque Current Curve (First Connection, First Speed)



Marks:

SOLID MODEL: 4002B5825NSP5210



4. ALL DIMENSIONS ARE UNLESS OTHERWISE SPECIFIED IN INCHES. DIMENSIONS IN PARENTHESES ARE FOR INFORMATION ONLY. DIMENSIONS IN PARENTHESES ARE FOR INFORMATION ONLY. DIMENSIONS IN PARENTHESES ARE FOR INFORMATION ONLY. DIMENSIONS IN PARENTHESES ARE FOR INFORMATION ONLY.

NOTES:

1. THE TOTAL HEIGHT OF PUMP SHAFT AND LOCKING NUT ABOVE COUPLING MUST NOT EXCEED THIS DIMENSION.
2. TOLERANCE ON FACE RUNOUT AND PERMISSIBLE ECCENTRICITY OF MOUNTING RABBIT ARE .007 T.I.R.
3. CENTRE OF MOUNTING BOLT HOLES SHOULD BE WITHIN .025 OF ANGULAR & DIAMETRICAL LOCATION WITH REFERENCE TO THE CENTERLINE OF MOUNTING RABBIT.
4. PROVIDED MOUNTING CONDITIONS PERMIT, CONDUIT BOX MAY BE TURNED SO THAT ENTRANCE CAN BE MADE UPWARD, DOWNWARD OR FROM EITHER SIDE.
5. FOR ESTIMATING ONLY UNLESS ENDORSED FOR CONSTRUCTION.
6. MAINTAIN MINIMUM CLEARANCE FOR SHAFT SLINGER.

DIMENSIONS IN INCHES
NEMA TYPE P-BASE

BORE DIA. "BX"	"B1"	"B2"	KEYWAY	
			D1W "E"	D1W "R"
1.252				1.377
1.251				1.367
1.189				1.314
1.188	1/4-20	1.750		1.304
1.066			.252	1.191
1.065			.250	1.181
1.127				1.252
1.126				1.242
1.002				1.124
1.001				1.114
.939				1.061
.938				1.051
.877	#10-32	1.375		.997
.876				.987
.752				.847
.751				.837
1.032				1.139
1.031				1.129

DATE: 12/28/16
 MODEL: 4002B5825NSP5210
 CHECKED: RAVI 12/28/16
 DESIGNED: RAVI 12/28/16
 QUALITY: RAVI 12/28/16
 ISSUED: RAVI 12/28/16

SCALE: 0.500

4002B5825NSP5210 002

SHEET 1 OF 1

Marks:

Connection Diagram
GEM2034E-FIG9



Heater Connection
3027JE-1C



End shield Assembly		
Part Description	DE Side Part#	ODE Side Part#
End Shield	128D6124PA1	128D6128PA1
Bearing	235A2507AC01	235A2507EE01
Slinger/Inproseal	235A2300FL3	

Fan & Fan Cover Assembly	
Part Description	Part#
Fan	
Fan Cover	

Conduit & Accessories Box Assembly	
Part Description	Part#
Conduit Box	4002B5728PA-G04

Mechanical Accessories	
Part Description	Part#
Brake	
Tachometer	

