

DATE
Jan. 14, 2009
CAT. #: VH0504FP

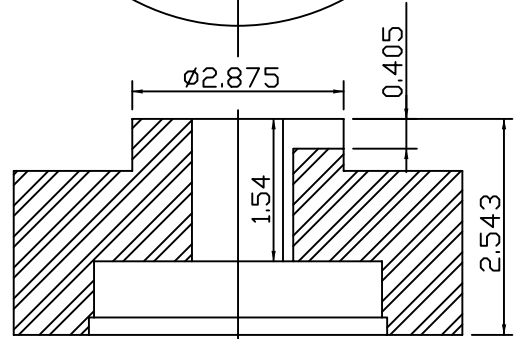
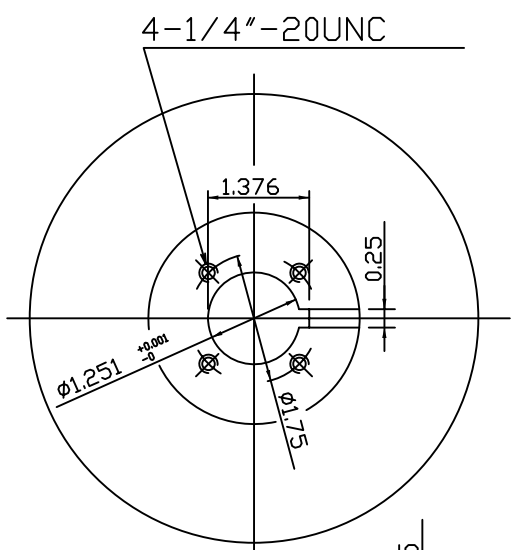
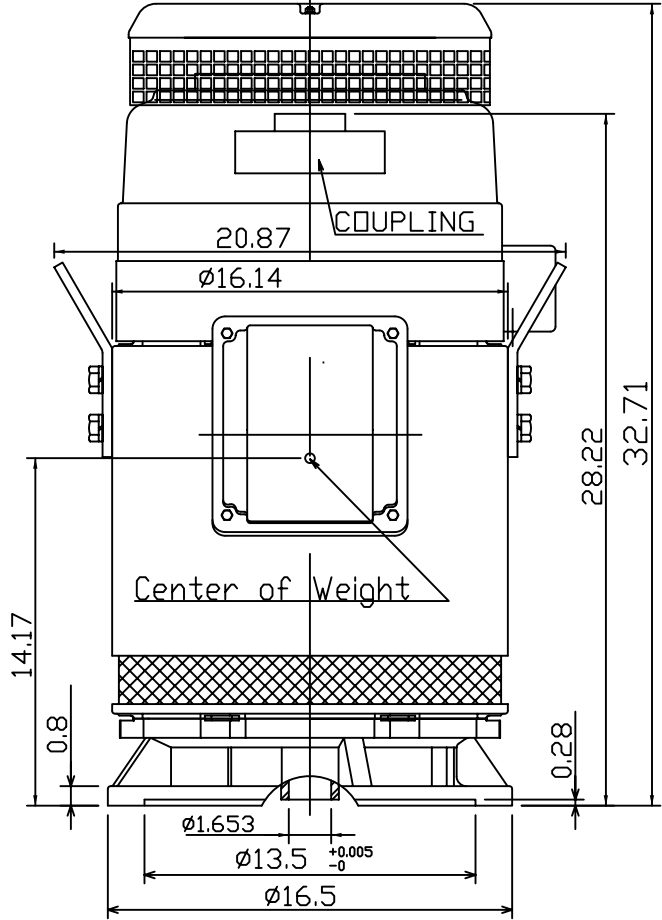
OUTLINE DIMENSIONS
3-PHASE INDUCTION MOTOR

MOTOR TYPE:
AMRCYC
FRAME NO. 326TP

Pole	HP	kW	Hz	VOLT	Syn.Speed r/min(rpm)
4	50	37	60	230/460	1800

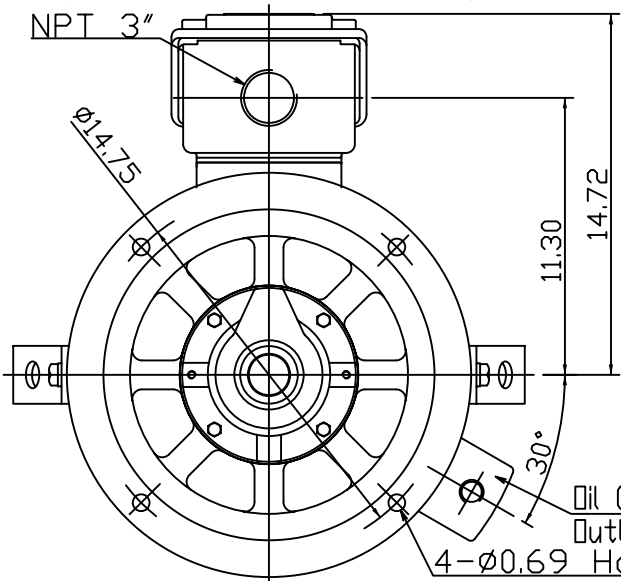
Ins	Rating	Dimension in	Approx Weight	Bearings
F	CONT.	inch	706 lbs	DE: 6312C3 NDE: 7220B

NEMA Weather Protected TYPE I (WP I) Squirrel-cage Rotor.



Coupling Dimension

- Note:
- Downthrust: 5700lbs.
L10 - 8800 hours
 - Rotation: CCW
 - With N.R.R.
 - Approx Reed
Frequencies: 70 Hz
 - Upper Bearing Oil lube
Kind of Oil: Turbine Oil
-300SSU/100°F ISO VG68
Quantity: 0.27 Gallons



12.23.08

DWN.	???????	12 12 08
CHKD.	???????	12 23 08
APPD.	???????	12 23 08



DWG NO.
31057H809111

TECO Westinghouse

ISSUED 01/07/09	PERFORMANCE DATA 3-PHASE INDUCTION MOTOR	ENCLOSURE WP1
TYPE AMRCYC		CATALOG# VH0504FP

NAMEPLATE INFORMATION

OUTPUT		POLE	FRAME SIZE	VOLTAGE	HZ	RATED AMBIENT	INS. CLASS	NEMA DESIGN	TIME RATING	SERVICE FACTOR
HP	KW									
50	37	4	326TP	230/460	60	40°C	F	B	CONT.	1.15

TYPICAL PERFORMANCE

FULL LOAD RPM	EFFICIENCY				POWER FACTOR			MAXIMUM POWER FACTOR CORRECTION
	FULL LOAD		3/4 LOAD %	1/2 LOAD %	F. L. %	3/4 LOAD %	1/2 LOAD %	
	NOM. %	MIN. %						
1770	93.0	91.7	93.5	93.5	88.0	86.0	80.0	6.88 KVAR

CURRENTS			NEMA KVA CODE LETTER
NO LOAD	FULL LOAD	LOCKED ROTOR	
30.0/15.0	114/57.2	725/363	G

TORQUE				INERTIA			ACCEL TIME	
FULL LOAD lb-ft	LOCKED ROTOR %FLT	PULL UP %FLT	BREAK DOWN %FLT	ROTOR WR ² lb-ft ²	NEMA LOAD WK ² lb-ft ²	MAX ALLOWABLE WK ² lb-ft ²	NEMA LOAD WK ² Sec	MAX ALLOWABLE WK ² Sec
148.31	225	165	245	7.874	232	696	4.35	12.73

SAFE STALL TIME IN SECONDS		ALLOWABLE STARTS PER HOUR		SOUND PRESSURE LEVEL @ 3 FT dB(A)
COLD	HOT	COLD	HOT	
17	12	2	1	

APPROVED:	D. BRIGGS II	DRAWING NO.	31057VH0504FP	REVISION 1
-----------	---------------------	-------------	----------------------	-------------------

TECO

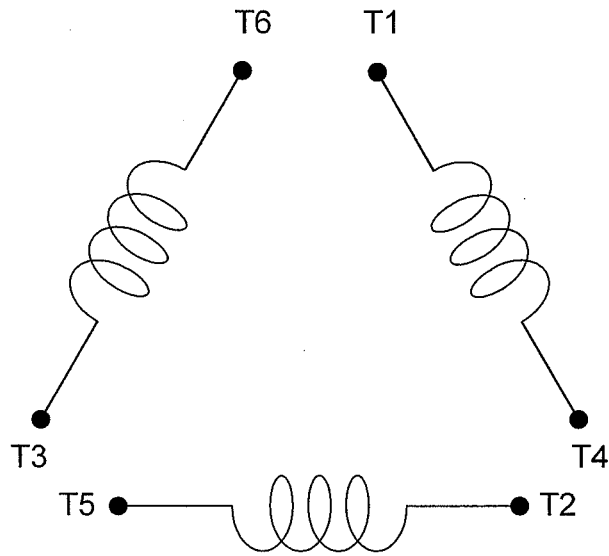
CONNECTION DIAGRAM

MODEL

DATE :
DEC.04.'02

For Δ/Δ connection

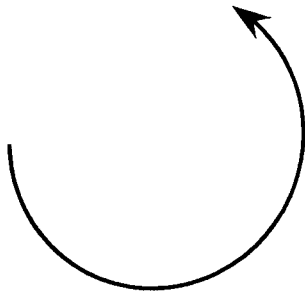
DAC-1545-1



SCHEMATIC - Δ/Δ CONNECTION

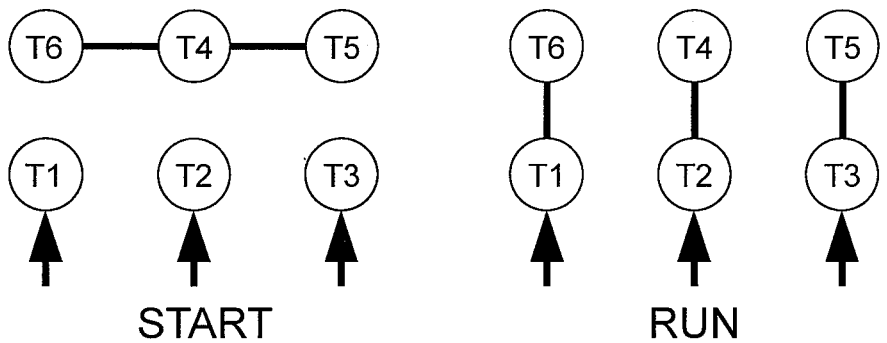
ROTATION

(VIEWED FROM DRIVE END)

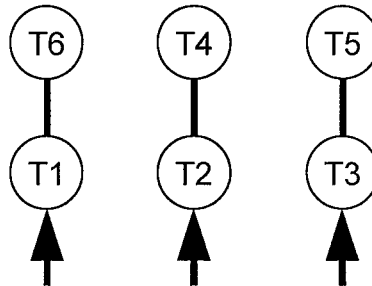


CONNECTION

$\Delta-\Delta$ START



ACROSS-THE-LINE



承 認		
審 核	蔡	Dec.05.02
校 對	林	Dec.04.02
繪 製	林賢龍	DEC,04,'02

東元電機股份有限公司
TECO ELECTRIC & MACHINERY CO., LTD.
 TAIWAN R.O.C.

圖 號：
DAC-1545-1