

DATE
Jan. 14, 2012
CAT. #: VHP0104

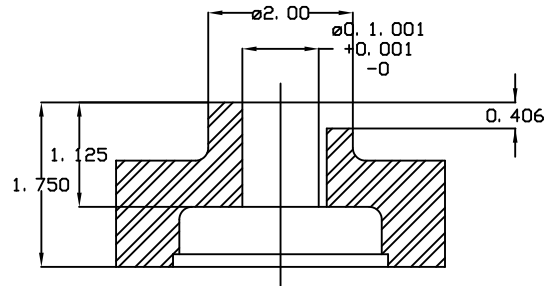
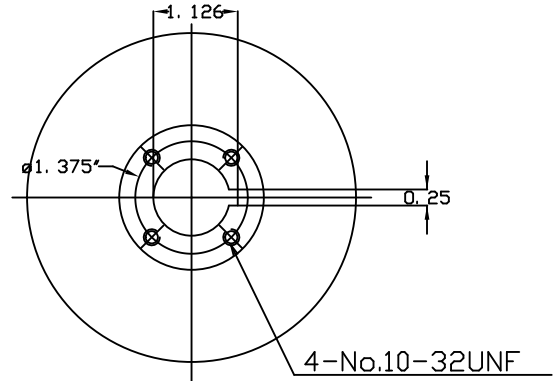
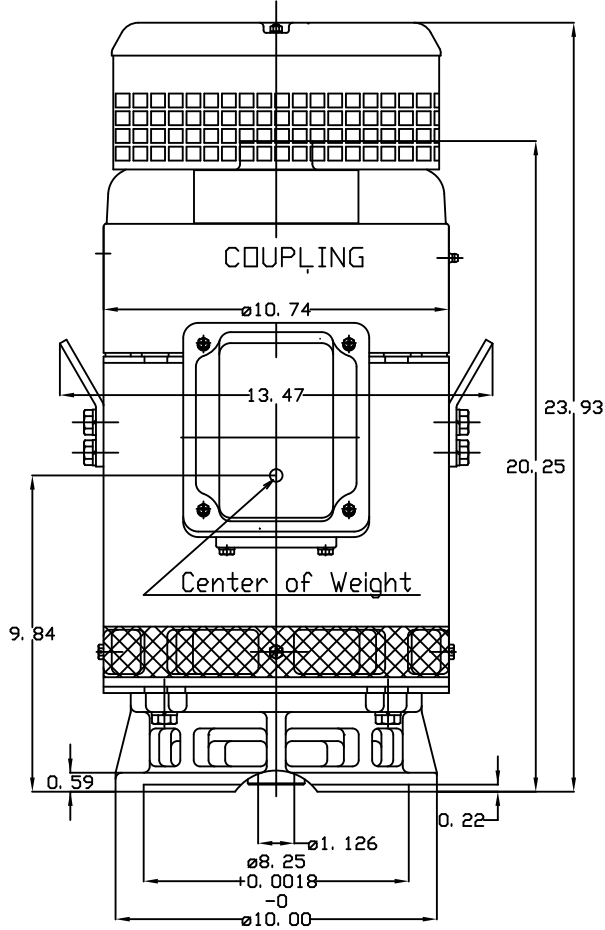
OUTLINE DIMENSIONS
3-PHASE INDUCTION MOTOR

MOTOR TYPE:
AMRCNH
FRAME NO. 215TP

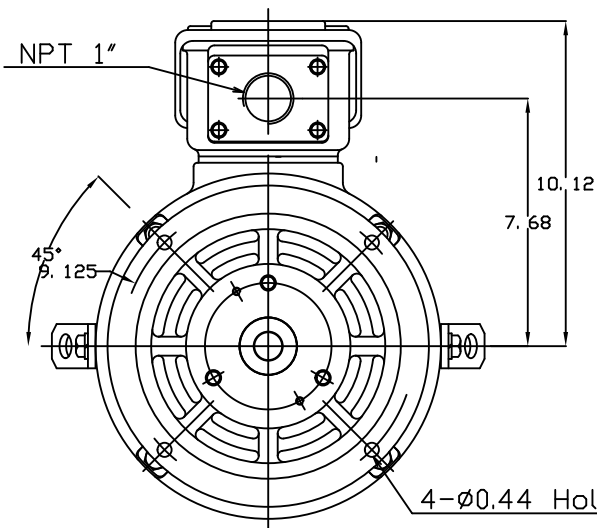
Pole	HP	kW	Hz	VOLT	Syn.Speed r/min(rpm)
4	10	7.5	60	230/460	1800

Ins	Rating	Dimension in	Approx Weight	Bearings
F	CONT.	inches	216 lbs	DE: 6209ZZC3 NDE: 7310BE

NEMA Weather Protected TYPE I (WP I) Squirrel-cage Rotor.



Coupling Dimension



- Note:
1. Downthrust :2600lbs
L10 - 8800 hours
 2. Rotation: C.C.W
View from Top
 3. With N.R.R.
 4. Approx Reed
Frequencies: 110 Hz

12.27.08

DWN.	????????	12 14 08
CHKD.	???????	01 09 09
APPD.	????????	01 09 09



DWG NO.
31049R179101

TECO Westinghouse

ISSUED January 15, 2015	PERFORMANCE DATA	ENCLOSURE WP1
TYPE AMRCNH	3-PHASE INDUCTION MOTOR	CATALOG# VHP0104

NAMEPLATE INFORMATION

OUTPUT		POLE	FRAME SIZE	VOLTAGE	HZ	RATED AMBIENT	INS. CLASS	NEMA DESIGN	TIME RATING	SERVICE FACTOR
HP	KW									
10	7.5	4	215TP	230/460	60	40°C	F	B	CONT.	1.15

TYPICAL PERFORMANCE

FULL LOAD RPM	EFFICIENCY				POWER FACTOR			MAXIMUM POWER FACTOR CORRECTION
	FULL LOAD		3/4 LOAD %	1/2 LOAD	F. L. %	3/4 LOAD	1/2 LOAD %	
	MIN. %	NOM. %						
1755	90.2	91.7	92.0	92.0	84.0	79.0	68.5	3.0 KVAR

CURRENTS

NO LOAD			FULL LOAD				LOCKED ROTOR		NEMA KVA CODE LETTER
AT 230 VOLT		AT 460 VOLT	AT 230 VOLT	AT 460 VOLT		AT 230 VOLT	AT 460 VOLT		
7.54		3.77	24.3	12.2		162.0	81.0	H	

TORQUE

INERTIA

ACCEL TIME

FULL LOAD lb-ft	LOCKED ROTOR %FLT	PULL UP %FLT	BREAK DOWN %FLT	ROTOR WR ² lb-ft ²	NEMA LOAD WK ² lb-ft ²	MAX ALLOWABLE WK ² lb-ft ²	NEMA LOAD WK ² Sec	MAX ALLOWABLE WK ² Sec
29.92	235	175	280	0.92	51	95	4.21	7.77

SAFE STALL TIME IN SECONDS

ALLOWABLE STARTS PER HOUR

SOUND PRESSURE LEVEL @ 3 FT dB(A)

DOWNTHRUST L10:8800 HOURS

COLD
17

HOT
12

COLD
2

HOT
1

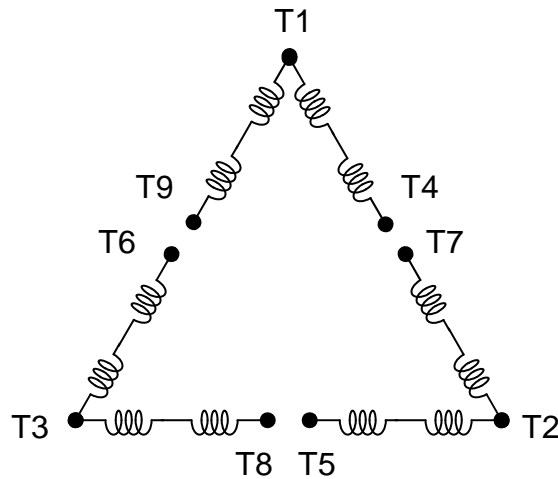
72.4

2600

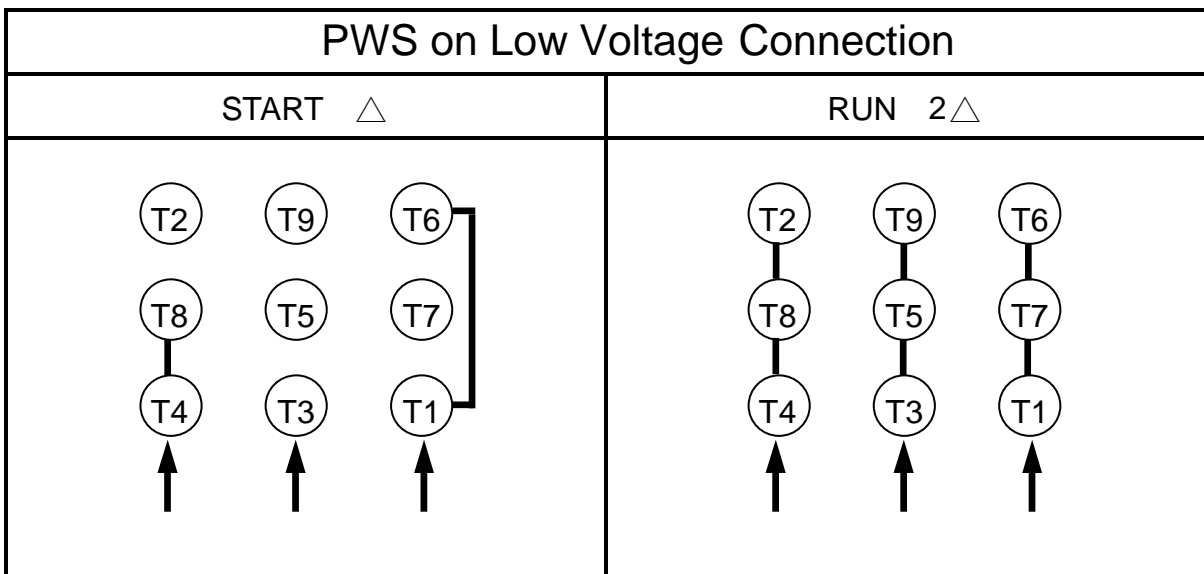
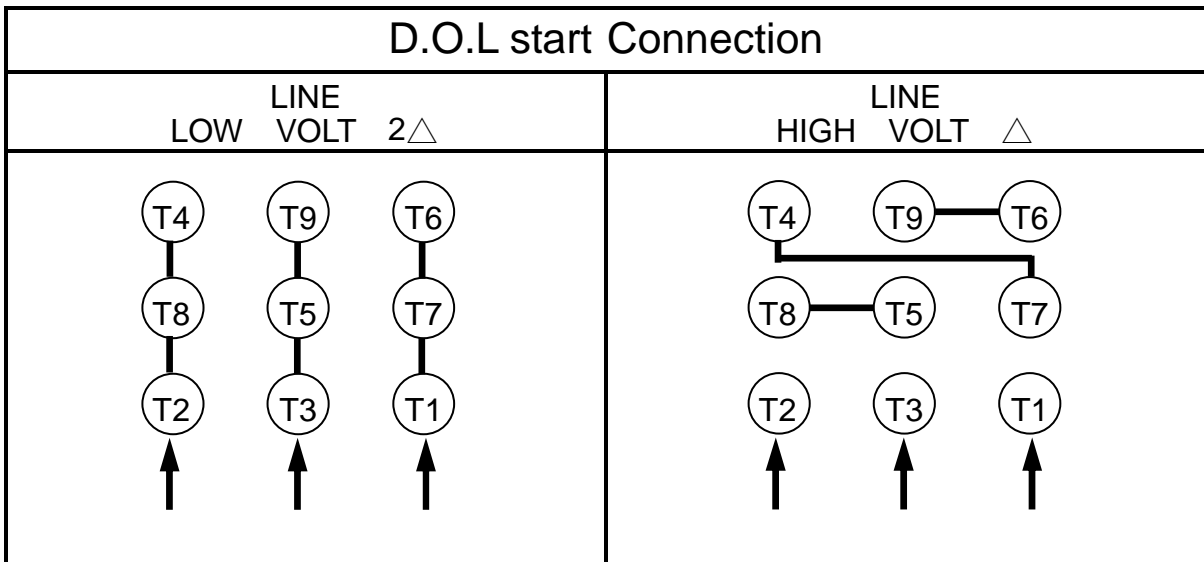
APPROVED:	M. PRATER	DRAWING NO.	31057VHP0104	REVISION 0
-----------	------------------	-------------	---------------------	-------------------

DATE :
May.04.2009

4P 2 Δ / Δ 9 leads
For D.O.L start or PWS on Low Voltage



SCHEMATIC – 2 Δ / Δ CONNECTION



APPD.	M.C.Tsai	May,05,'09
CHKD.	C.L.Huang	May,05,'09
DWN.	J.C.Lan	May,04,'09

TECO Electric & Machinery Co., Ltd.

DWG NO :
DAC-1703