

DATE
Jan. 14, 2011
CAT. #: VHP0304

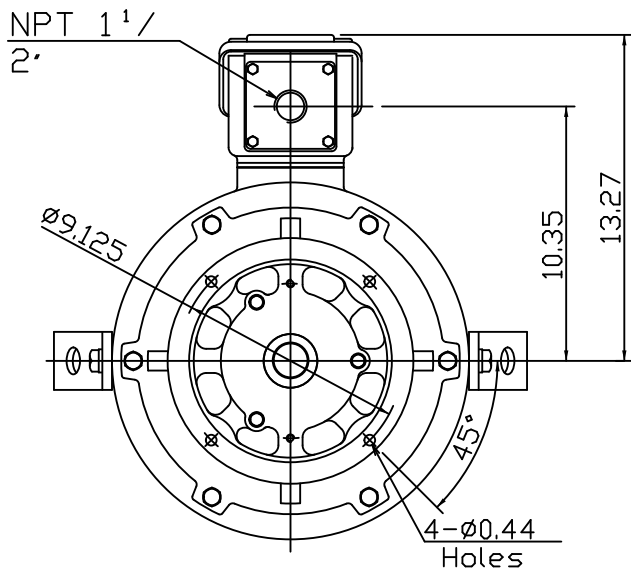
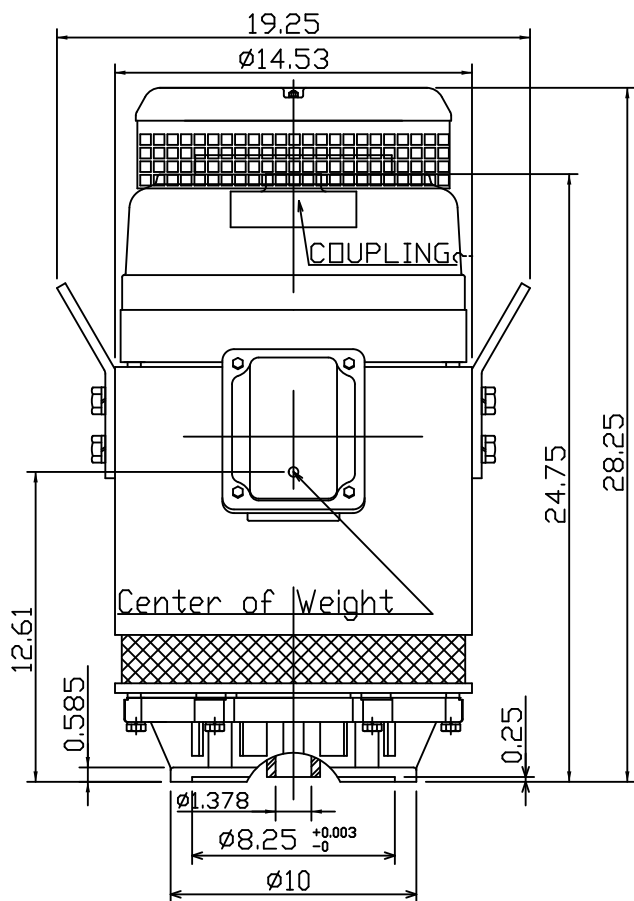
OUTLINE DIMENSIONS
3-PHASE INDUCTION MOTOR

MOTOR TYPE:
AMRCNH
FRAME NO. 286TP

Pole	HP	kW	Hz	VOLT	Syn.Speed r/min(rpm)
4	30	22	60	230/460	1800

Ins	Rating	Dimension in	Approx Weight	Bearings
F	CONT.	inch	458 lbs	DE: 6312ZZC3NDE: 7312B

NEMA Weather Protected TYPE I (WP I) Squirrel-cage Rotor.



- Note:
1. Downthrust: 3350lbs.
L10 - 8800 hours
 2. Rotation: CCW
 3. With N.R.R.
 4. Approx Reed
Frequencies: 71.3 Hz

12.23.08

DWN.	??????	12 12 08
CHKD.	??????	12 23 08
APPD.	??????	12 23 08



DWG NO.
31057H808121

TECO Westinghouse

ISSUED January 15, 2015	PERFORMANCE DATA	ENCLOSURE WP1
TYPE AMRCNH	3-PHASE INDUCTION MOTOR	CATALOG# VHP0304

NAMEPLATE INFORMATION

OUTPUT		POLE	FRAME SIZE	VOLTAGE	HZ	RATED AMBIENT	INS. CLASS	NEMA DESIGN	TIME RATING	SERVICE FACTOR
HP	KW									
30	22.4	4	286TP	230/460	60	40°C	F	B	CONT.	1.15

TYPICAL PERFORMANCE

FULL LOAD RPM	EFFICIENCY				POWER FACTOR			MAXIMUM POWER FACTOR CORRECTION
	FULL LOAD		3/4 LOAD %	1/2 LOAD	F. L. %	3/4 LOAD	1/2 LOAD %	
	MIN. %	NOM. %						
1770	93.0	94.1	94.0	94.0	86.0	82.5	74.5	7.9 KVAR

CURRENTS

NO LOAD			FULL LOAD				LOCKED ROTOR		NEMA KVA CODE LETTER
AT		AT	AT	AT		AT	AT		
230 VOLT		460 VOLT	230 VOLT	460 VOLT		230 VOLT	460 VOLT		
19.80		9.90	69.4	34.7		435.0	217.5	G	

TORQUE

INERTIA

ACCEL TIME

FULL LOAD lb-ft	LOCKED ROTOR %FLT	PULL UP %FLT	BREAK DOWN %FLT	ROTOR WR ² lb-ft ²	NEMA LOAD WK ² lb-ft ²	MAX ALLOWABLE WK ² lb-ft ²	NEMA LOAD WK ² Sec	MAX ALLOWABLE WK ² Sec
88.99	230	175	245	4.40	144	202	4.44	6.18

SAFE STALL TIME IN SECONDS

ALLOWABLE STARTS PER HOUR

SOUND PRESSURE LEVEL @ 3 FT dB(A)

DOWNTHRUST L10:8800 HOURS

COLD
17

HOT
12

COLD
2

HOT
1

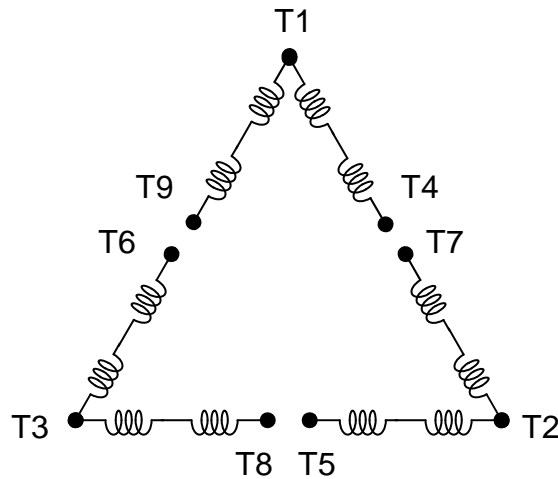
72.4

3350

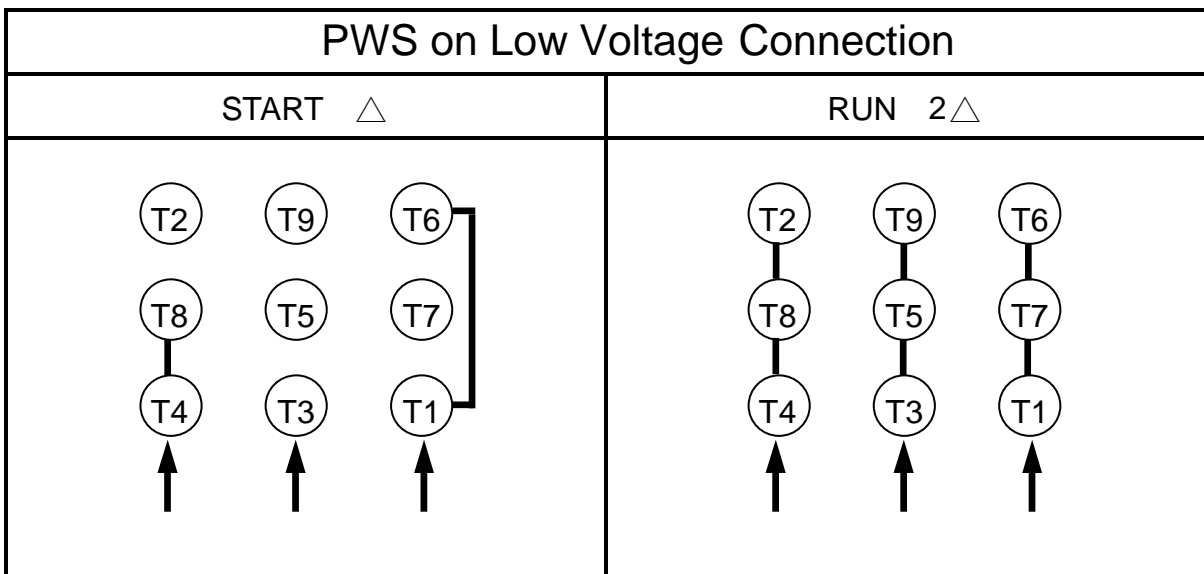
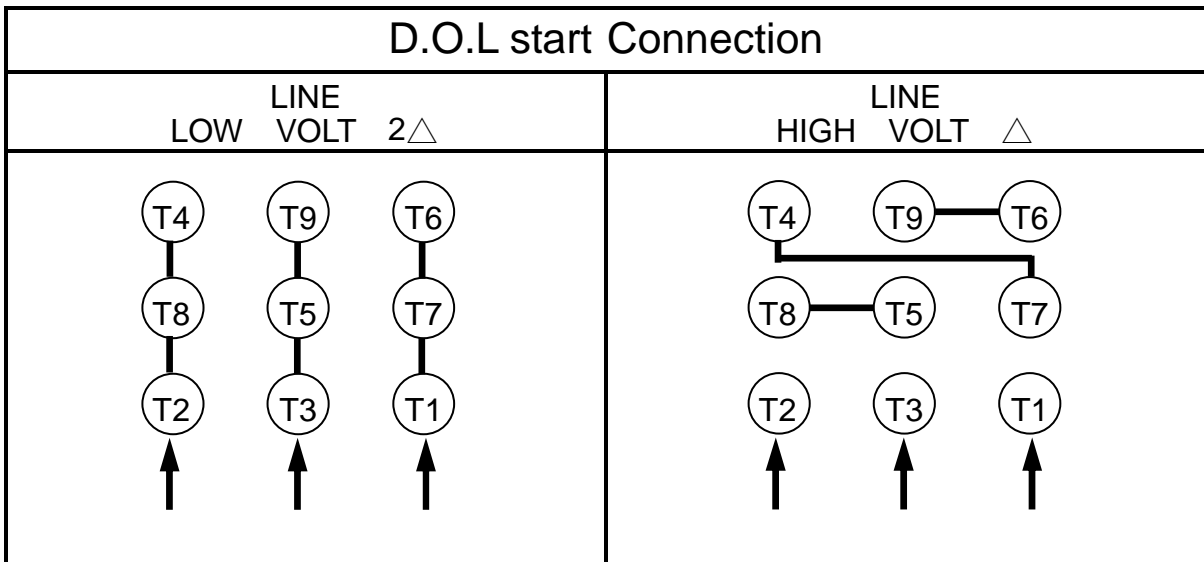
APPROVED:	M. PRATER	DRAWING NO.	31057VHP0304	REVISION 0
-----------	------------------	-------------	---------------------	-------------------

DATE :
May.04.2009

4P 2 Δ / Δ 9 leads
For D.O.L start or PWS on Low Voltage



SCHEMATIC – 2 Δ / Δ CONNECTION



APPD.	M.C.Tsai	May,05,'09
CHKD.	C.L.Huang	May,05,'09
DWN.	J.C.Lan	May,04,'09

TECO Electric & Machinery Co., Ltd.

DWG NO :
DAC-1703