

DATE
Jan. 14, 2011

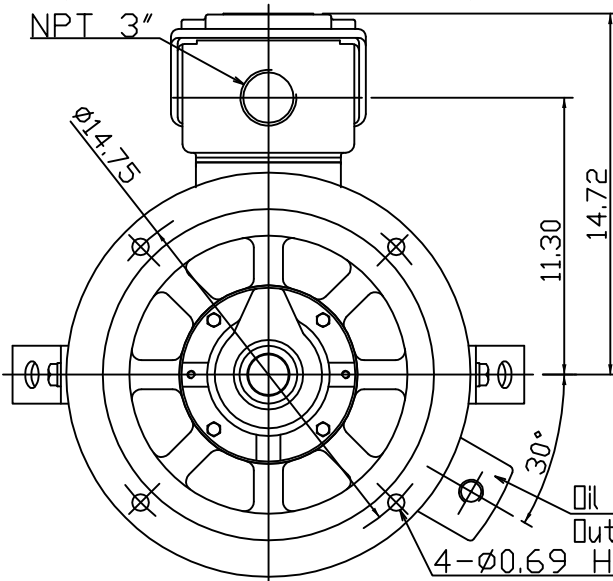
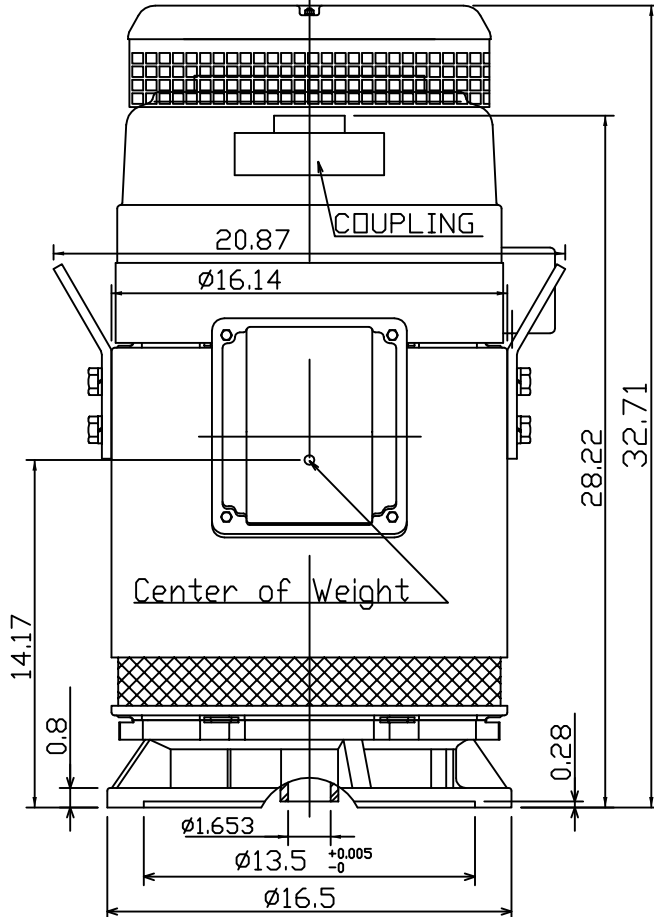
OUTLINE DIMENSIONS
3-PHASE INDUCTION MOTOR

MOTOR TYPE:
AMRCNH
FRAME NO. 326TP

Pole	HP	kW	Hz	VOLT	Syn.Speed r/min(rpm)
4	50	37	60	230/460	1800

Ins	Rating	Dimension in	Approx Weight	Bearings
F	CONT.	inch	675 lbs	DE: 6312C3 NDE: 7220B

NEMA Weather Protected TYPE I (WP I) Squirrel-cage Rotor.



- Note:
1. Downthrust: 5700lbs.
L10 - 8800 hours
 2. Rotation: CCW
 3. With N.R.R.
 4. Approx Reed
Frequencies: 70 Hz
 5. Upper Bearing Oil lube
Kind of Oil: Turbine Oil
-300SSU/100°F ISO VG68
Quantity: 0.27 Gallons



DWN.		
CHKD.		
APPD.		

TECO Westinghouse

DWG NO.
31057H809111

TECO Westinghouse

ISSUED January 15, 2015	PERFORMANCE DATA	ENCLOSURE WP1
TYPE AMRCNH	3-PHASE INDUCTION MOTOR	CATALOG# VHP0504FP

NAMEPLATE INFORMATION

OUTPUT		POLE	FRAME SIZE	VOLTAGE	HZ	RATED AMBIENT	INS. CLASS	NEMA DESIGN	TIME RATING	SERVICE FACTOR
HP	KW									
50	37.3	4	326TP	230/460	60	40°C	F	B	CONT.	1.15

TYPICAL PERFORMANCE

FULL LOAD RPM	EFFICIENCY				POWER FACTOR			MAXIMUM POWER FACTOR CORRECTION
	FULL LOAD		3/4 LOAD %	1/2 LOAD	F. L. %	3/4 LOAD	1/2 LOAD %	
	MIN. %	NOM. %						
1775	93.6	94.5	94.5	95.0	85.0	83.5	78.0	11.5 KVAR

CURRENTS

NO LOAD			FULL LOAD				LOCKED ROTOR		NEMA KVA CODE LETTER
AT 230 VOLT		AT 460 VOLT	AT 230 VOLT	AT 460 VOLT		AT 230 VOLT	AT 460 VOLT		
28.80		14.40	116.6	58.3		725.0	362.5	G	

TORQUE

INERTIA

ACCEL TIME

FULL LOAD lb-ft	LOCKED ROTOR %FLT	PULL UP %FLT	BREAK DOWN %FLT	ROTOR WR ² lb-ft ²	NEMA LOAD WK ² lb-ft ²	MAX ALLOWABLE WK ² lb-ft ²	NEMA LOAD WK ² Sec	MAX ALLOWABLE WK ² Sec
147.89	220	175	205	8.62	232	284	4.87	5.92

SAFE STALL TIME IN SECONDS

ALLOWABLE STARTS PER HOUR

SOUND PRESSURE LEVEL @ 3 FT dB(A)

DOWNTHRUST L10:8800 HOURS

COLD
17

HOT
12

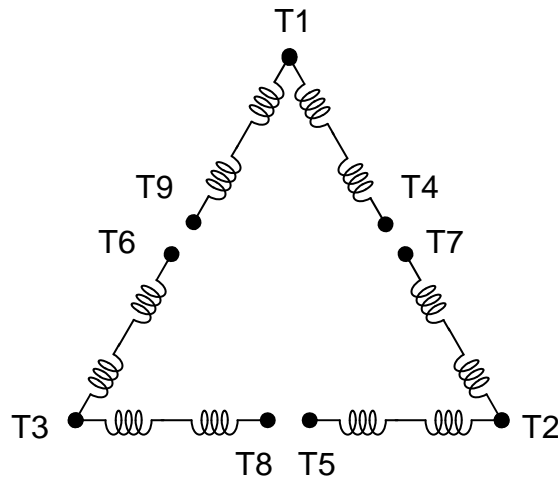
COLD
2

HOT
1

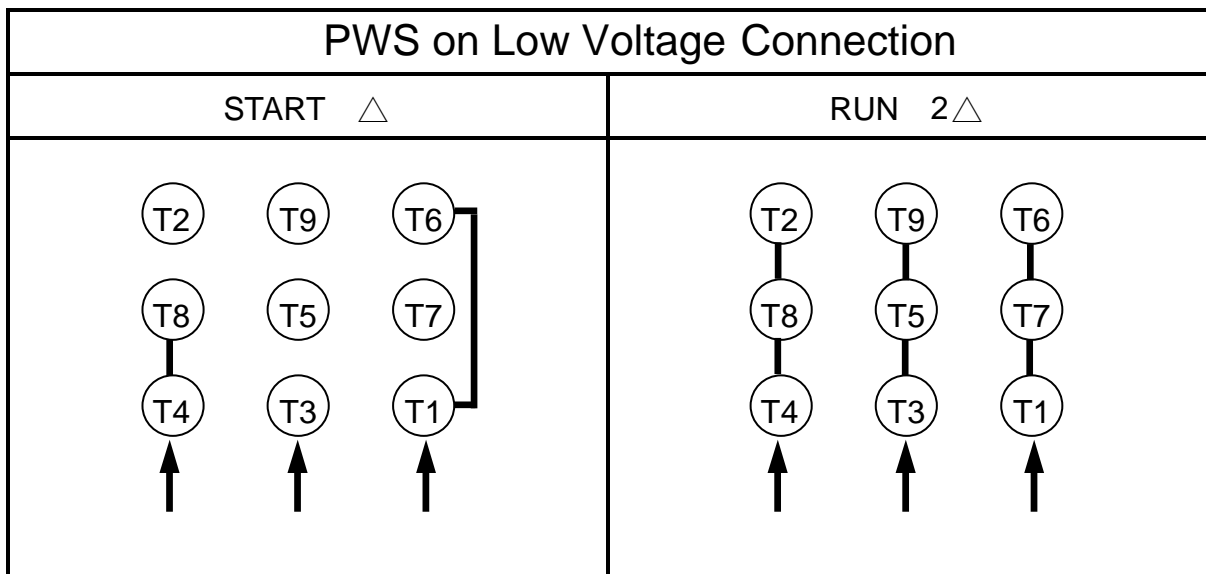
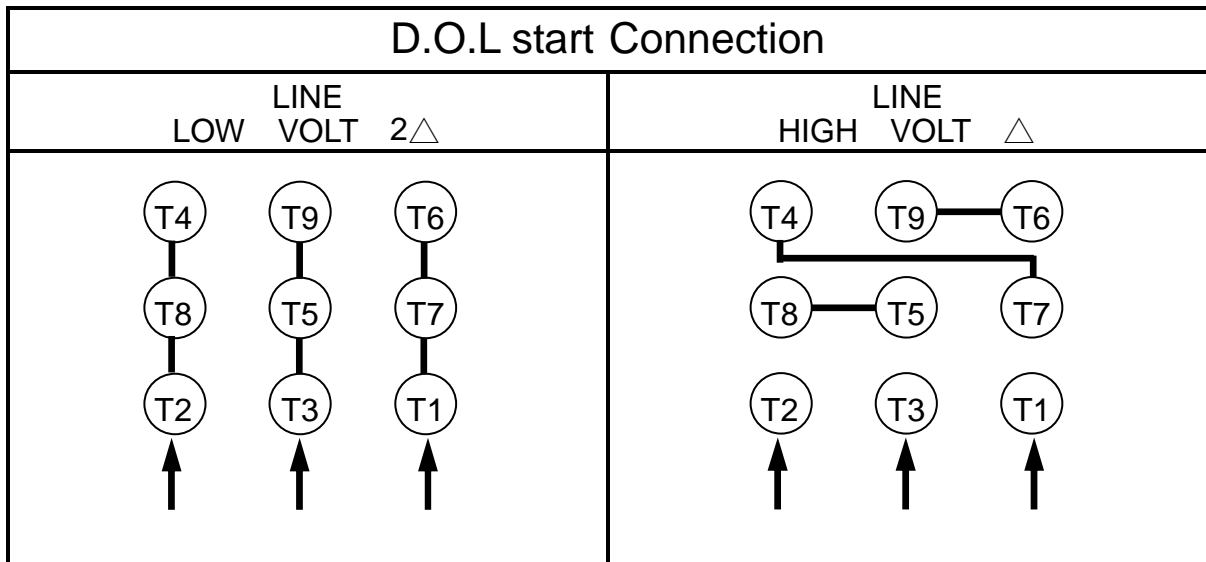
72.4

5700

APPROVED:	M. PRATER	DRAWING NO.	31057VHP0504FP	REVISION 0
-----------	------------------	-------------	-----------------------	-------------------



SCHEMATIC – 2Δ/Δ CONNECTION



APPD.	M.C.Tsai	May,05,'09	TECO Electric & Machinery Co., Ltd.	DWG NO :	DAC-1703
CHKD.	C.L.Huang	May,05,'09			
DWN.	J.C.Lan	May,04,'09			