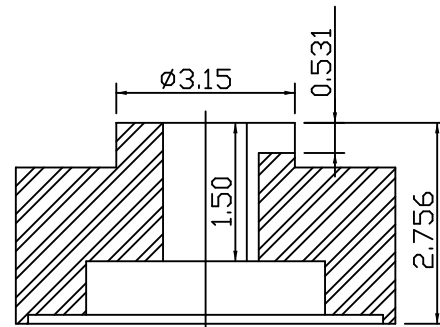
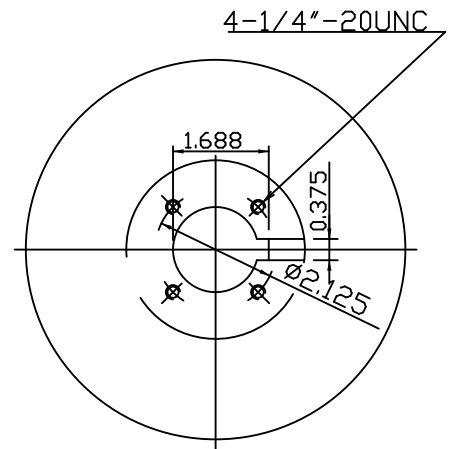
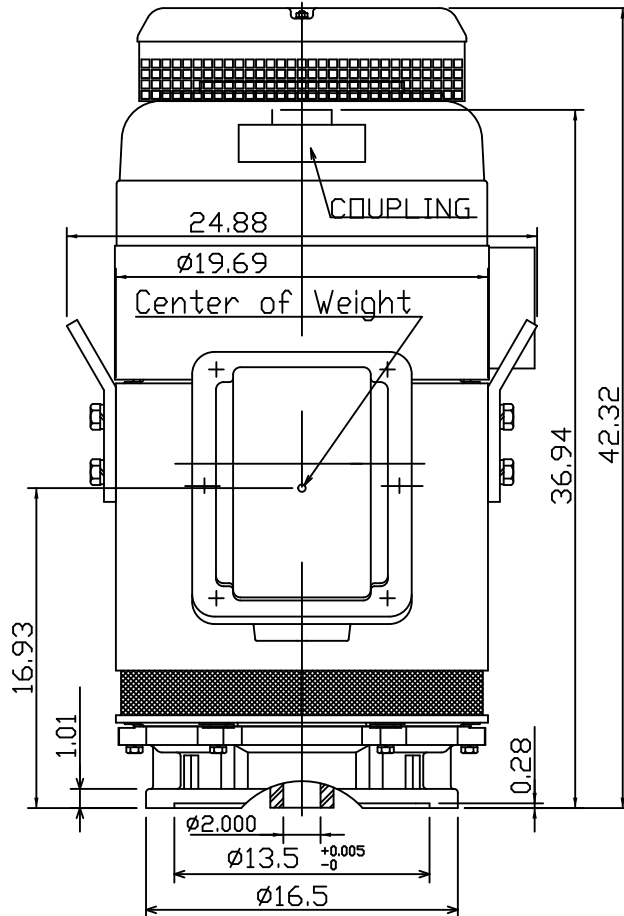


DATE Jan. 14, 2011	OUTLINE DIMENSIONS 3-PHASE INDUCTION MOTOR	MOTOR TYPE: AMRCNH
CAT. #: VHP1004		FRAME NO. 404TP

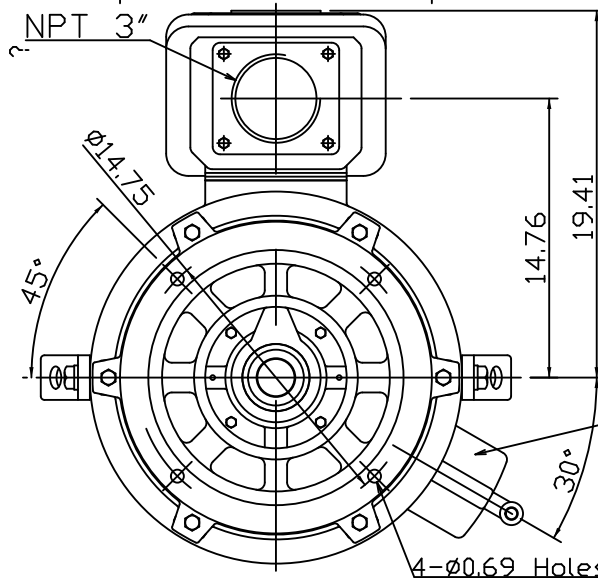
Pole	HP	kW	Hz	VOLT	Syn.Speed r/min(rpm)
4	100	75	60	230/460	1800

Ins	Rating	Dimension in	Approx Weight	Bearings	
F	CONT.	inch	1276 lbs	DE: 6315C3	NDE: 7322B

NEMA Weather Protected TYPE I (WP I) Squirrel-cage Rotor.



Coupling Dimension



Note:

1. Downthrust: 7900lbs  
L10 - 8800 hours
2. Rotation: C.C.W  
View from Top
3. With N.R.R.
4. Approx Reel
5. Upper Bearing: Oil lube  
Kind of Oil: Turbine Oil  
-300SSU/100°F ISO VG68  
Quantity: 1.06 Gallons

12.23.08	
----------	--

DWN.	???????	12 12 08
CHKD.	???????	12 23 08
APPD.	???????	12 23 08

TECO Westinghouse

DWG NO.  
31057H811151A

# TECO Westinghouse

ISSUED <b>January 15, 2015</b>	<b>PERFORMANCE DATA</b>	ENCLOSURE <b>WP1</b>
TYPE <b>AMRCHN</b>	<b>3-PHASE INDUCTION MOTOR</b>	CATALOG# <b>VHP1004</b>

### NAMEPLATE INFORMATION

OUTPUT		POLE	FRAME SIZE	VOLTAGE	HZ	RATED AMBIENT	INS. CLASS	NEMA DESIGN	TIME RATING	SERVICE FACTOR
HP	KW									
<b>100</b>	<b>75</b>	<b>4</b>	<b>404TP</b>	<b>230/460</b>	<b>60</b>	<b>40°C</b>	<b>F</b>	<b>B</b>	<b>CONT.</b>	<b>1.15</b>

### TYPICAL PERFORMANCE

FULL LOAD RPM	EFFICIENCY				POWER FACTOR			MAXIMUM POWER FACTOR CORRECTION
	FULL LOAD		3/4 LOAD %	1/2 LOAD	F. L. %	3/4 LOAD	1/2 LOAD %	
	MIN. %	NOM. %						
<b>1780</b>	<b>94.5</b>	<b>95.4</b>	<b>95.8</b>	<b>95.4</b>	<b>85.5</b>	<b>83.5</b>	<b>76.0</b>	<b>28.8 KVAR</b>

### CURRENTS

NO LOAD			FULL LOAD				LOCKED ROTOR		NEMA KVA CODE LETTER
AT 230 VOLT		AT 460 VOLT	AT 230 VOLT	AT 460 VOLT		AT 230 VOLT	AT 460 VOLT		
<b>72.40</b>		<b>36.20</b>	<b>230</b>	<b>115</b>		<b>1450.0</b>	<b>725.0</b>	<b>G</b>	

### TORQUE

### INERTIA

### ACCEL TIME

FULL LOAD lb-ft	LOCKED ROTOR %FLT	PULL UP %FLT	BREAK DOWN %FLT	ROTOR WR <sup>2</sup> lb-ft <sup>2</sup>	NEMA LOAD WK <sup>2</sup> lb-ft <sup>2</sup>	MAX ALLOWABLE WK <sup>2</sup> lb-ft <sup>2</sup>	NEMA LOAD WK <sup>2</sup> Sec	MAX ALLOWABLE WK <sup>2</sup> Sec
<b>294.95</b>	<b>220</b>	<b>165</b>	<b>210</b>	<b>20.62</b>	<b>441</b>	<b>669</b>	<b>4.64</b>	<b>6.93</b>

SAFE STALL TIME IN SECONDS

ALLOWABLE STARTS PER HOUR

SOUND PRESSURE LEVEL @ 3 FT dB(A)

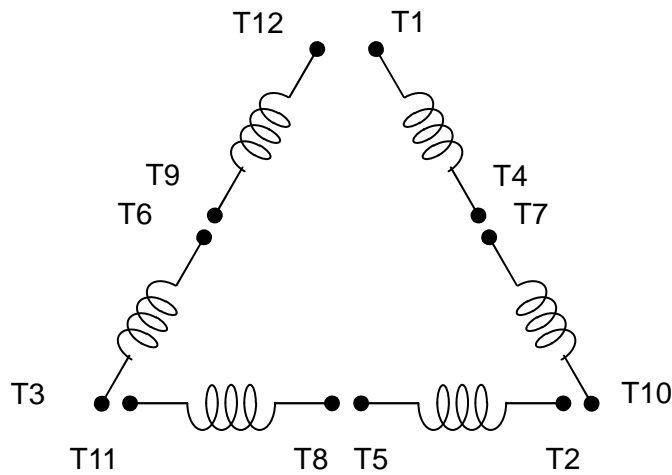
DOWNTHRUST L10:8800 HOURS

COLD	HOT	COLD	HOT
<b>17</b>	<b>12</b>	<b>2</b>	<b>1</b>

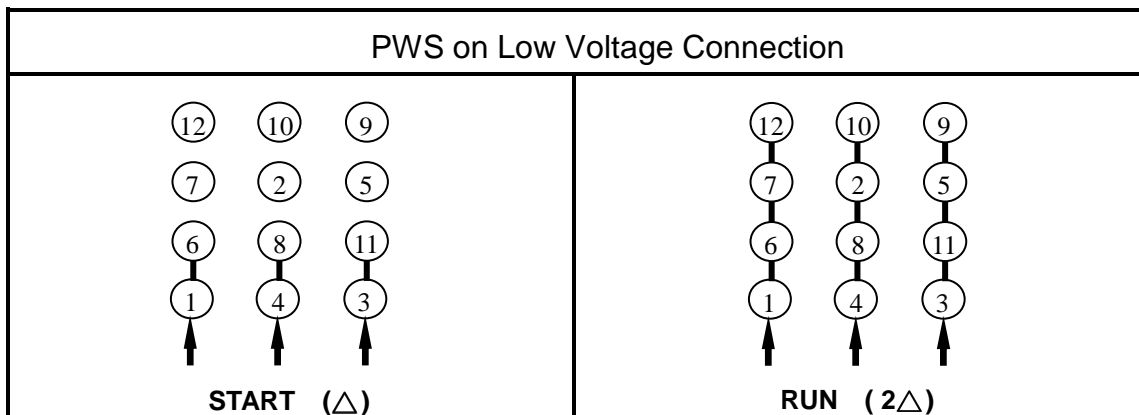
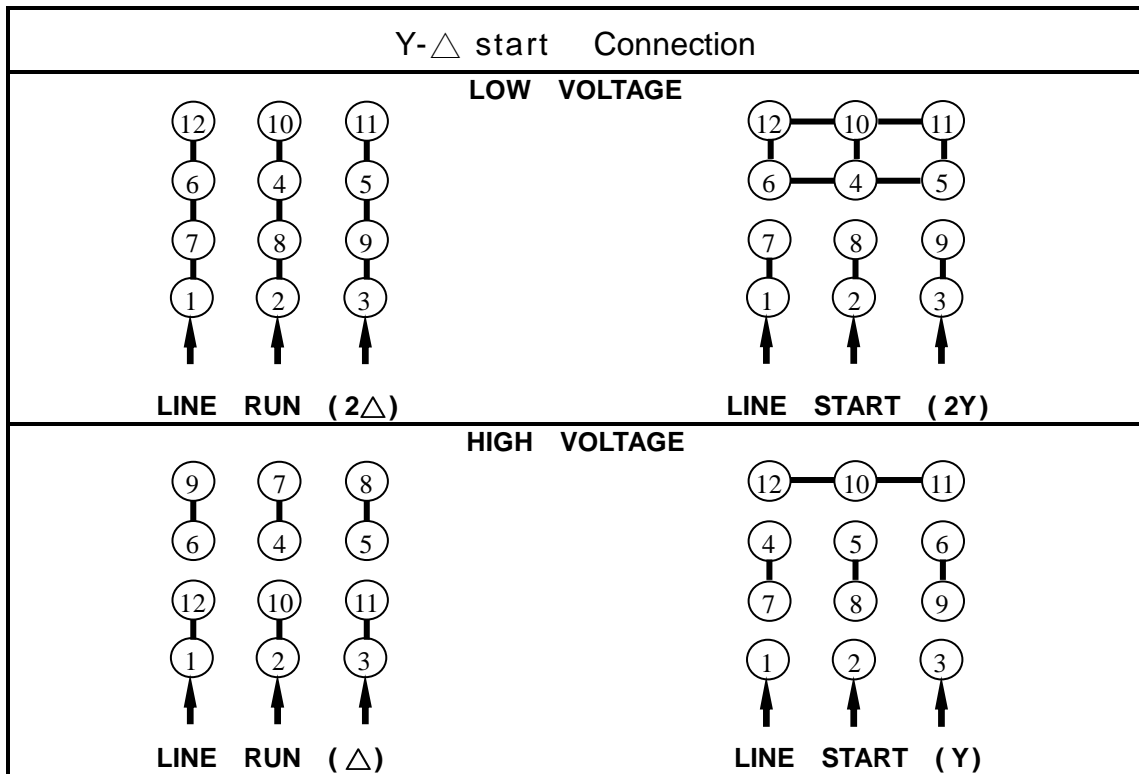
**76.1**

**7900**

APPROVED:	<b>M. PRATER</b>	DRAWING NO.	<b>31057VHP1004</b>	REVISION <b>0</b>
-----------	------------------	-------------	---------------------	-------------------



**SCHEMATIC – 2Δ/2Y/Δ/Y CONNECTION**



APPD.	M.C.Tsai	May,01,'09	<b>TECO Electric &amp; Machinery Co., Ltd.</b>	DWG NO :
CHKD.	C.L.Huang	May,01,'09		DAC-1705
DWN.	J.C.Lan	May,01,'09		