

DATE
Jan. 14, 2012
CAT. #: VHP1254

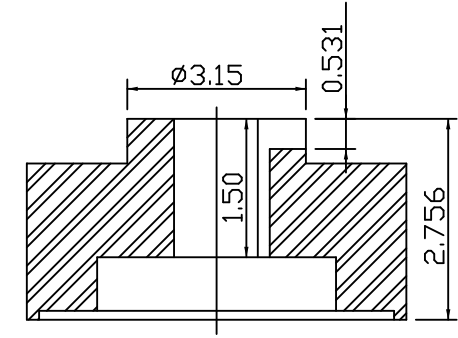
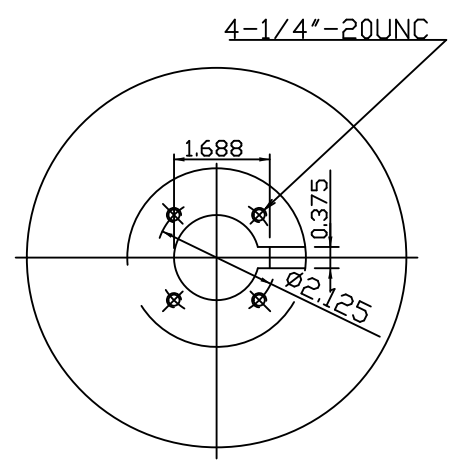
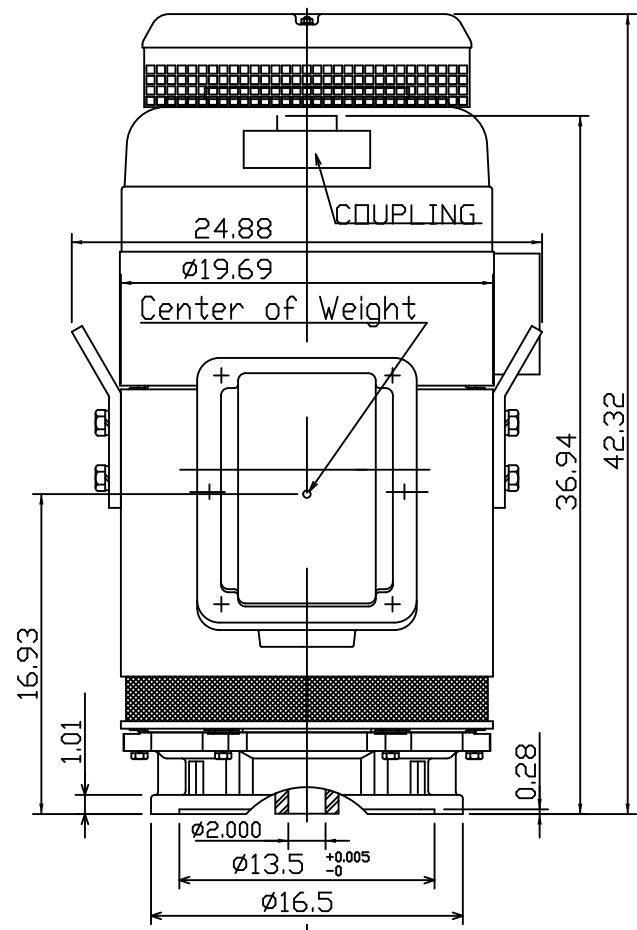
OUTLINE DIMENSIONS
3-PHASE INDUCTION MOTOR

MOTOR TYPE:
AMRCNH
FRAME NO. 405TP

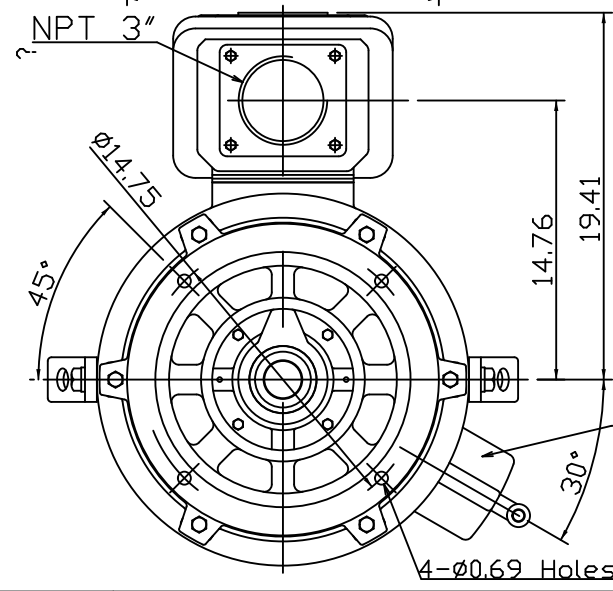
Pole	HP	kW	Hz	VOLT	Syn.Speed r/min(rpm)
4	125	90	60	230/460	1800

Ins	Rating	Dimension in	Approx Weight	Bearings
F	CONT.	inch	1366 lbs	DE: 6315C3 NDE: 7322B

NEMA Weather Protected TYPE I (WP I) Squirrel-cage Rotor.



Coupling Dimension



- Note:
1. Downthrust: 7900lbs
L10 - 8800 hours
 2. Rotation: C.C.W
View from Top
 3. With N.R.R.
 4. Approx Reel
Frequencies: 48 Hz
 5. Upper Bearing: Oil lube
Kind of Oil: Turbine Oil
-300SSU/100°F ISO VG68
Quantity: 1.06 Gallons

Oil Gauge, Oil Inlet and
Outlet UPPER BEARING

12.23.08

DWN.	???????	12 12 08
CHKD.	???????	12 23 08
APPD.	???????	12 23 08



DWG NO.
31057H811151

TECO Westinghouse

ISSUED January 15, 2015	PERFORMANCE DATA	ENCLOSURE WP1
TYPE AMRCNH	3-PHASE INDUCTION MOTOR	CATALOG# VHP1254

NAMEPLATE INFORMATION

OUTPUT		POLE	FRAME SIZE	VOLTAGE	HZ	RATED AMBIENT	INS. CLASS	NEMA DESIGN	TIME RATING	SERVICE FACTOR
HP	KW									
125	93.3	4	405TP	230/460	60	40°C	F	B	CONT.	1.15

TYPICAL PERFORMANCE

FULL LOAD RPM	EFFICIENCY				POWER FACTOR			MAXIMUM POWER FACTOR CORRECTION
	FULL LOAD		3/4 LOAD %	1/2 LOAD	F. L. %	3/4 LOAD	1/2 LOAD %	
	MIN. %	NOM. %						
1780	94.5	95.4	95.8	95.4	84.5	82.0	74.5	32.3 KVAR

CURRENTS

NO LOAD			FULL LOAD				LOCKED ROTOR		NEMA KVA CODE LETTER
AT 230 VOLT		AT 460 VOLT	AT 230 VOLT	AT 460 VOLT		AT 230 VOLT	AT 460 VOLT		
81.00		40.50	290.4	145.2		1815.0	907.5	G	

TORQUE

INERTIA

ACCEL TIME

FULL LOAD lb-ft	LOCKED ROTOR %FLT	PULL UP %FLT	BREAK DOWN %FLT	ROTOR WR ² lb-ft ²	NEMA LOAD WK ² lb-ft ²	MAX ALLOWABLE WK ² lb-ft ²	NEMA LOAD WK ² Sec	MAX ALLOWABLE WK ² Sec
368.69	225	165	205	24.06	542	762	4.57	6.35

SAFE STALL TIME IN SECONDS

ALLOWABLE STARTS PER HOUR

SOUND PRESSURE LEVEL @ 3 FT dB(A)

DOWNTHRUST L10:8800 HOURS

COLD
17

HOT
12

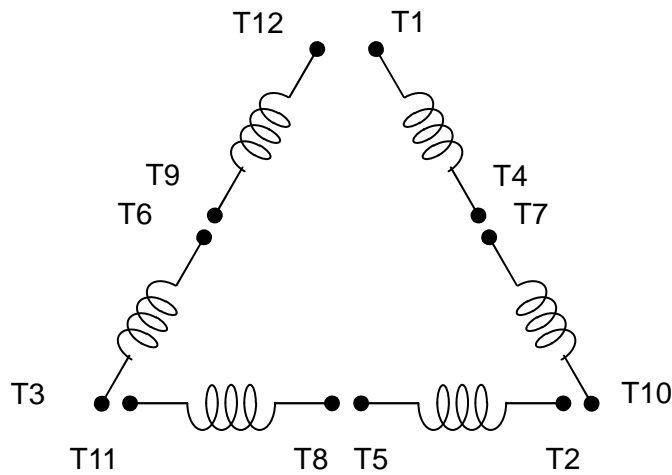
COLD
2

HOT
1

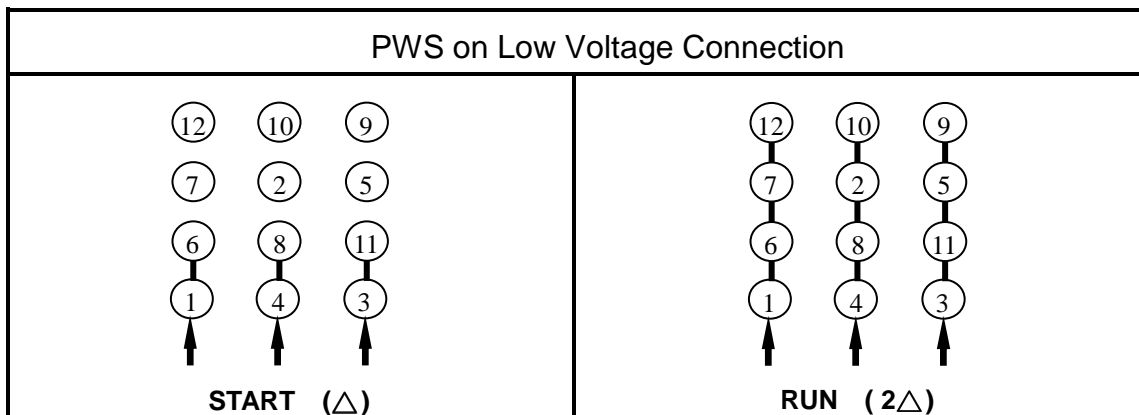
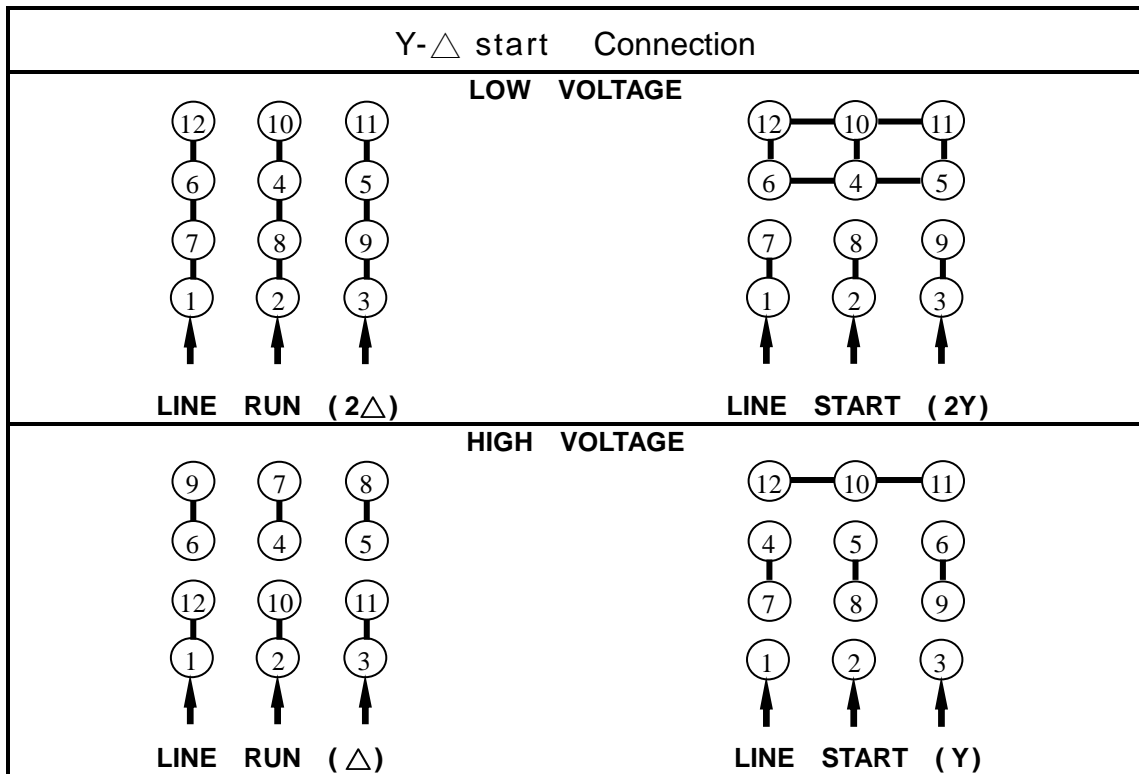
75.4

7900

APPROVED:	M. PRATER	DRAWING NO.	31057VHP1254	REVISION 0
-----------	------------------	-------------	---------------------	-------------------



SCHEMATIC – 2Δ/2Y/Δ/Y CONNECTION



APPD.	M.C.Tsai	May,01,'09	TECO Electric & Machinery Co., Ltd.	DWG NO :
CHKD.	C.L.Huang	May,01,'09		DAC-1705
DWN.	J.C.Lan	May,01,'09		