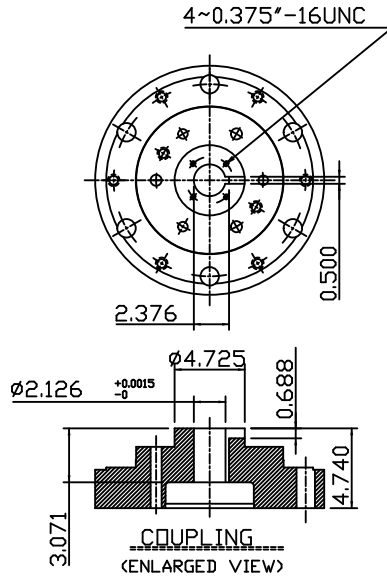
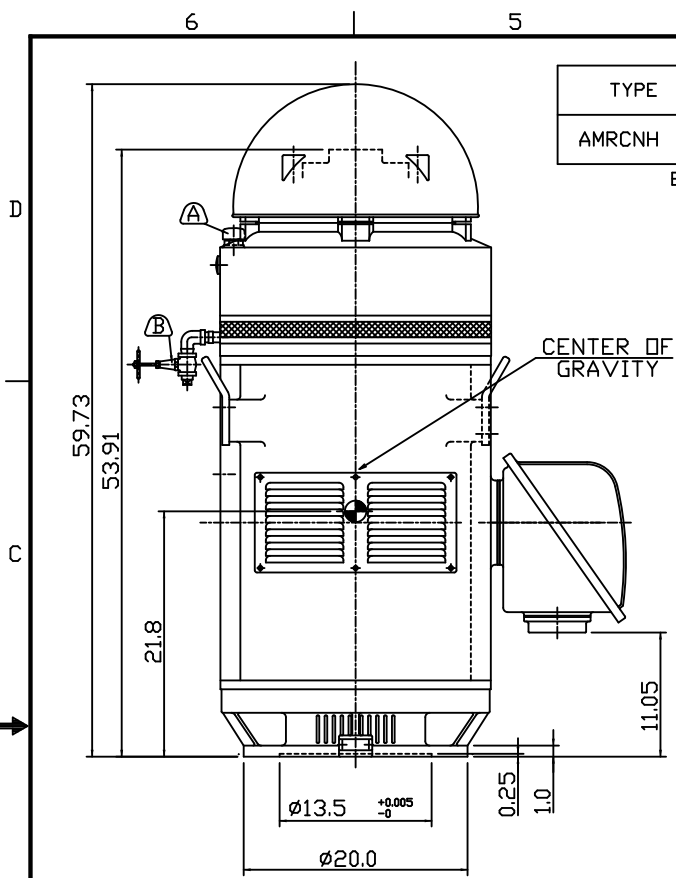
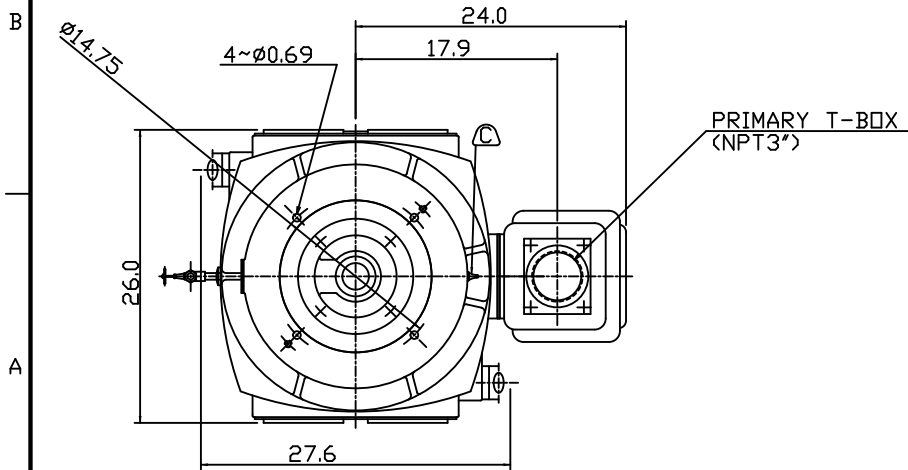


TYPE	OUTPUT		POLE	TIME RATING	VOLTAGE V	Hz	SYN.SPEED R.P.M
	HP.	kW.					
AMRCNH	400	299	4	CONT	460	60	1800

ENCLOSED VENTILATED VERTICAL HOLLOW SHAFT TYPE, SQUIRREL CAGE ROTOR  
NEMA WEATHER PROTECTED TYPE I



- NOTE:
1. DIMENSIONS IN INCHES.
  2. FRAME NO.449TP.
  3. F CLASS INSULATION.
  4. FOR DIRECT FLEXIBLE COUPLING.
  5. BEARING SIZE:  
UPPER BEARING: 7326B [UNINSULATED]  
LOWER BEARING: 6318C3 [UNINSULATED]
  6. LUBRICATION:  
UPPER BEARING USE OIL.  
OIL VISCOSITY: ISO VG68[300 SSU/100°F]  
OIL QUANTITY: 8.6GAL.  
LOWER BEARING USE ESSO POLYREX EM GREASE.
  7. THRUST CAPACITY:  
MAX. ALLOWABLE CONT. DOWNTHRUST: 13200 LBS.  
BEARING LIFE: B10/8800 HRS.
  8. ROTATION: COUNTER-CLOCKWISE(VIEWED FROM TOP).
  9. WITH NON-REVERSE RATCHET MECHANISM.
  10. WITH GIB KEY:0.500x0.500x3.071,1PCS
  11. NATURAL REED FREQUENCY: 40HZ.  
ABOVE CALCULATION IS CONSIDERING MOTOR AND FOR REFERENCE ONLY.  
THE WHOLE PUMPING SYSTEM ANALYSIS SHALL BE PERFORMED BY THE PUMP MANUFACTURER.
  12. MOTOR APPROX. WEIGHT: 3320LBS.



- (A) OIL FILLER [UPPER BEARING]  
(B) OIL DRAIN [UPPER BEARING]  
(C) GREASE INLET NIPPLE [LOWER BEARING]

DATE MARCH 6, 2012	OUTLINE DIMENSIONS	
CAT. #: VHP4004	3-PHASE INDUCTION MOTOR	
DWN. S.WANG FEB-25-2009	TEC Westinghouse	DWG NO. REV:00
CHKD. S.WANG FEB-25-2009		3B040T898
APPD. C.WANG FEB-26-2009		

# TECO Westinghouse

ISSUED <b>January 15, 2015</b>	<b>PERFORMANCE DATA</b>	ENCLOSURE <b>WP1</b>
TYPE <b>AMRCNH</b>	<b>3-PHASE INDUCTION MOTOR</b>	CATALOG# <b>VHP4004</b>

### NAMEPLATE INFORMATION

OUTPUT		POLE	FRAME SIZE	VOLTAGE	HZ	RATED AMBIENT	INS. CLASS	NEMA DESIGN	TIME RATING	SERVICE FACTOR
HP	KW									
<b>400</b>	<b>298.4</b>	<b>4</b>	<b>449TP</b>	<b>230/460</b>	<b>60</b>	<b>40°C</b>	<b>F</b>	<b>B</b>	<b>CONT.</b>	<b>1.15</b>

### TYPICAL PERFORMANCE

FULL LOAD RPM	EFFICIENCY				POWER FACTOR			MAXIMUM POWER FACTOR CORRECTION
	FULL LOAD		3/4 LOAD %	1/2 LOAD	F. L. %	3/4 LOAD	1/2 LOAD %	
	MIN. %	NOM. %						
<b>1787</b>	<b>95.0</b>	<b>95.8</b>	<b>95.4</b>	<b>94.5</b>	<b>88.5</b>	<b>85.0</b>	<b>82.0</b>	<b>101.6 KVAR</b>

### CURRENTS

NO LOAD			FULL LOAD				LOCKED ROTOR		NEMA KVA CODE LETTER
AT 230 VOLT		AT 460 VOLT	AT 230 VOLT	AT 460 VOLT		AT 230 VOLT	AT 460 VOLT		
-		<b>127.50</b>	<b>884.0</b>	<b>442.0</b>		-	<b>2960.0</b>	<b>G</b>	

### TORQUE

### INERTIA

### ACCEL TIME

FULL LOAD lb-ft	LOCKED ROTOR %FLT	PULL UP %FLT	BREAK DOWN %FLT	ROTOR WR <sup>2</sup> lb-ft <sup>2</sup>	NEMA LOAD WK <sup>2</sup> lb-ft <sup>2</sup>	MAX ALLOWABLE WK <sup>2</sup> lb-ft <sup>2</sup>	NEMA LOAD WK <sup>2</sup> Sec	MAX ALLOWABLE WK <sup>2</sup> Sec
<b>1179.00</b>	<b>125</b>	<b>105</b>	<b>205</b>	<b>92.00</b>	<b>1546</b>	<b>2319</b>	<b>5.01</b>	<b>7.38</b>

SAFE STALL TIME IN SECONDS

ALLOWABLE STARTS PER HOUR

SOUND PRESSURE LEVEL @ 3 FT dB(A)

DOWNTHRUST L10:8800 HOURS

COLD  
**20**

HOT  
**15**

COLD  
**2**

HOT  
**1**

**79.0**

**13200**

APPROVED:

**M. PRATER**

DRAWING NO.

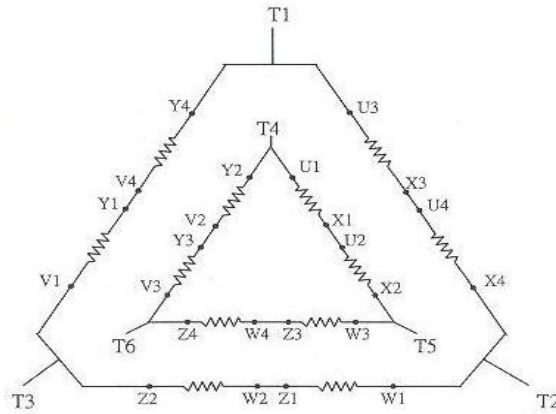
**31057VHP4004**

REVISION **0**

DATE:  
January 14, 2009

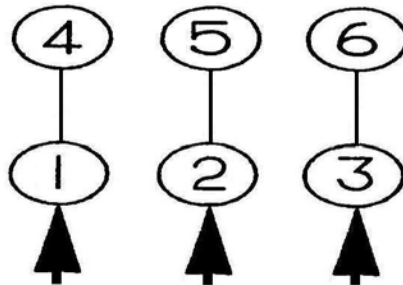
# CONNECTION DIAGRAM

CATALOG NO.:



**SCHEMATIC - 2Δ / Δ CONNECTION**

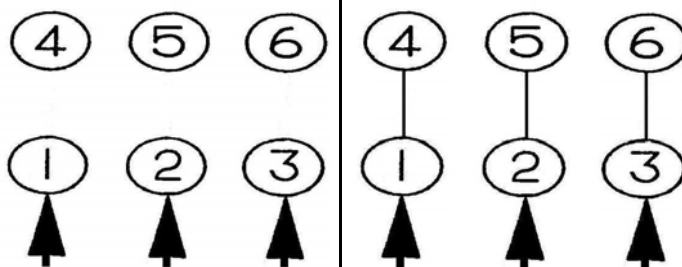
## ACROSS THE LINE OR VFD CONNECTION



**LINE**

**460 VOLT CONNECTION**

## 460 VOLT PART WINDING START CONNECTION



**LINE**

**460 VOLT START**

**LINE**

**460 VOLT RUN**