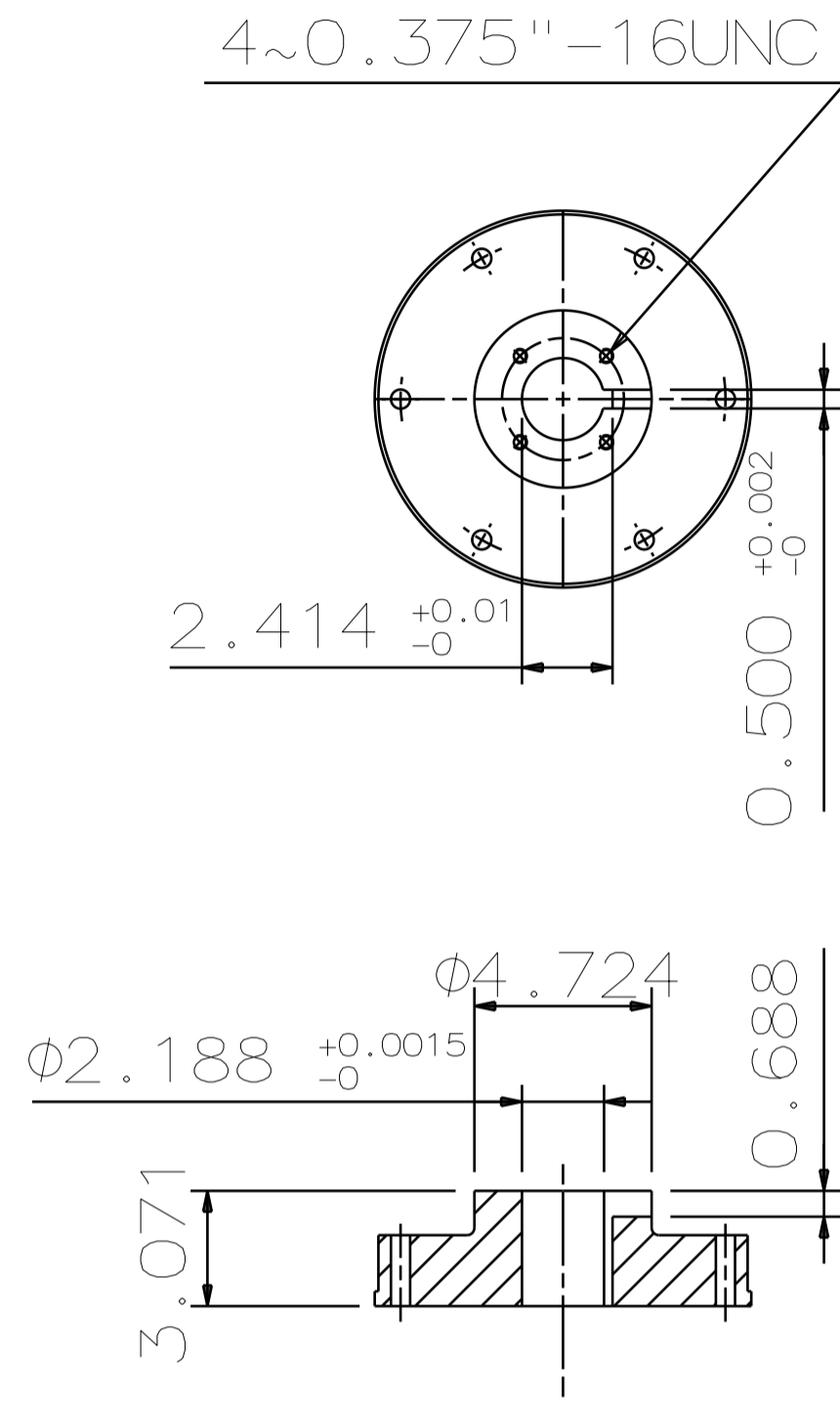


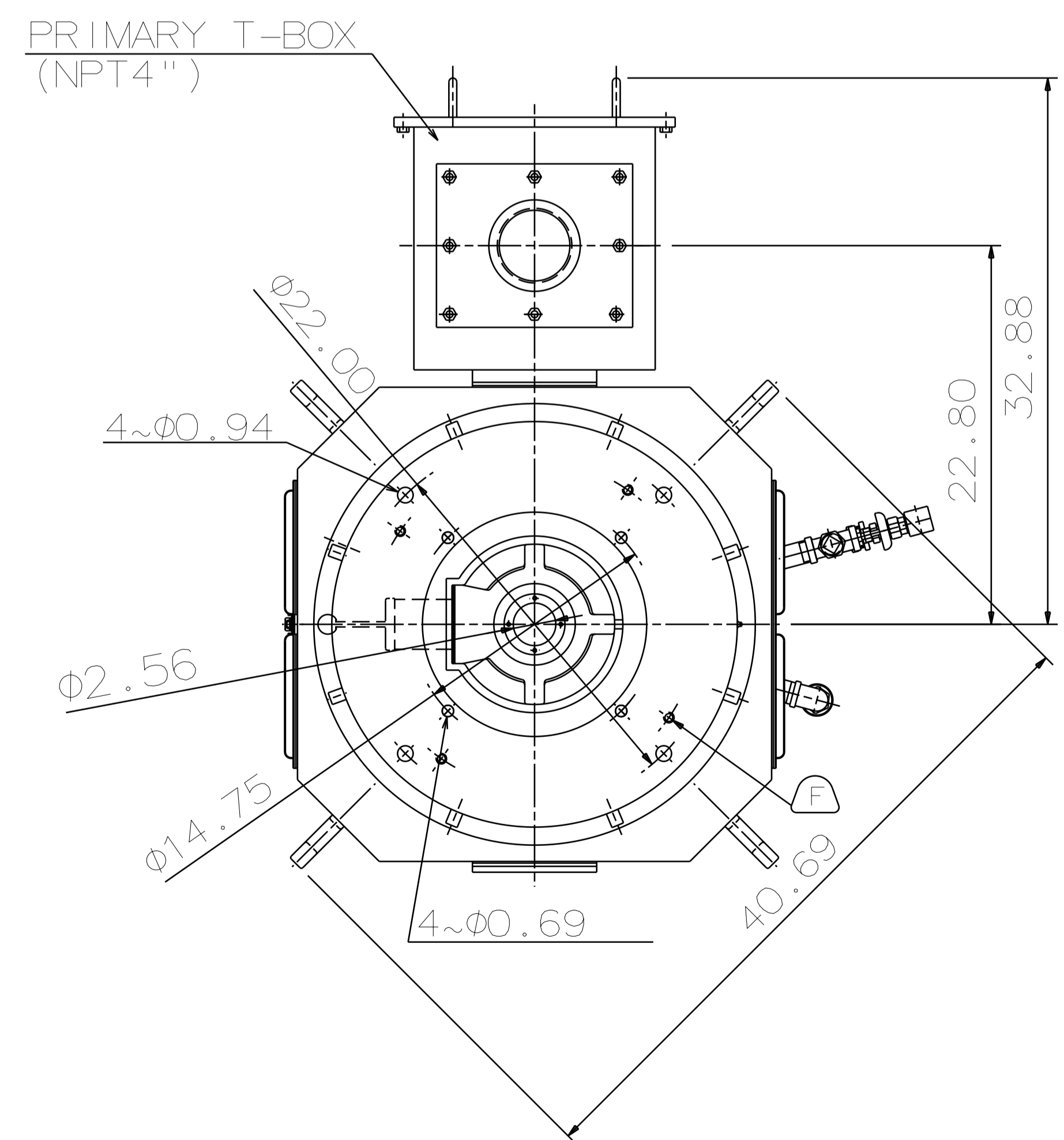
TYPE	OUTPUT		POLE	TIME RATING	VOLTAGE V	Hz	SYN. SPEED R.P.M
	HP.	kW.					
AMRCNH	450	336	4	CONT	460	60	1800

ENCLOSED VENTILATED VERTICAL HOLLOW SHAFT TYPE, SQUIRREL CAGE ROTOR
NEMA WEATHER PROTECTED TYPE I



COUPLING
[ENLARGED VIEW]

- NOTE:
- DIMENSIONS IN INCH
 - FRAME NO.5009
 - F CLASS INSULATION, S.F. 1.15
 - FOR DIRECT COUPLING
 - BEARING SIZE:
UPPER BEARING: 29330+6028 (INSULATED)
LOWER BEARING: 6220C3 [UNINSULATED]
 - UPPER BEARING IS INSULATED. ANY METAL CONNECTIONS TO IT MUST BE INSULATED.
 - LUBRICATION:
UPPER BEARING USE OIL.
OIL VISCOSITY: ISO VG68 [300 SSU/100°F]
OIL QUANTITY: 1.8 GAL.
LOWER BEARING USE GREASE. [MOBIL POLYREX EM]
 - ROTATION: COUNTER-CLOCKWISE [VIEW FROM TOP].
 - WITH NON-REVERSE RATCHET MECHANISM.
 - WITH GIB KEY: 0.500X0.500X3.07, 1PCS
 - APPROXIMATE WEIGHT: 3810
 - DOWNTHRUST: 30,900 LBS (L10-8800HRS)
 - REED FREQUENCY: 35 HZ
 - SPACE HEATER RATED AT 120 VOLT, SINGLE PHASE, 200 WATTS, LEADS TERMINATE IN MAIN LEAD BOX.



- (A) OIL FILLER [UPPER BEARING]
- (B) OIL GAUGE [UPPER BEARING]
- (C) OIL DRAIN [UPPER BEARING]
- (D) GREASE INLET [LOWER BEARING]
- (E) GREASE DISCHARGER [LOWER BEARING]
- (F) 4~M16 VERTICAL JACKING HOLES, 90° APART IN MOTOR BASE.
- (G) M10 TAPPED GROUNDING ON FRAME, WITH ONE GROUNDING STUDS & [R38-10] TERMINAL LOCATED AS SHOWN.

DATE	DEC 08 2017	OUTLINE DIMENSIONS	
	VHP4504	3-PHASE INDUCTION MOTOR	
DWN.	Y. YANG	JUN.02.2015	DWG NO. REV:00
CHKD.	R. LEE	JUN.02.2015	4B040L480
APPD.	C. LIU	JUN.02.2015	



DWN.	Y. YANG	JUN.02.2015
CHKD.	R. LEE	JUN.02.2015
APPD.	C. LIU	JUN.02.2015

TECO Westinghouse

ISSUED September 25, 2017	PERFORMANCE DATA	ENCLOSURE WP1
TYPE AMRCNH	3-PHASE INDUCTION MOTOR	CATALOG# VHP4504

NAMEPLATE INFORMATION

OUTPUT		POLE	FRAME SIZE	VOLTAGE	HZ	RATED AMBIENT	INS. CLASS	NEMA DESIGN	TIME RATING	SERVICE FACTOR
HP	KW									
450	336	4	5009.0	230/460	60	40°C	F	B	CONT.	1.15

TYPICAL PERFORMANCE

FULL LOAD RPM	EFFICIENCY				POWER FACTOR			MAXIMUM POWER FACTOR CORRECTION
	FULL LOAD		3/4 LOAD	1/2 LOAD	F. L.	3/4 LOAD	1/2 LOAD	
	MIN. %	NOM. %						
1780	95.4	96.0	95.5	95.0	88.6	88.1	84.0	102.5 KVAR

CURRENTS

NO LOAD			FULL LOAD			LOCKED ROTOR			NEMA KVA CODE LETTER
AT 208 VOLT	AT 230 VOLT	AT 460 VOLT	AT 208 VOLT	AT 230 VOLT	AT 460 VOLT	AT 208 VOLT	AT 230 VOLT	AT 460 VOLT	
0.0	0.0	129	1093	0	494	7869	0	3558	

TORQUE

INERTIA

ACCEL TIME

FULL LOAD lb-ft	LOCKED ROTOR %FLT	PULL UP %FLT	BREAK DOWN %FLT	ROTOR WR ² lb-ft ²	NEMA LOAD WK ² lb-ft ²	MAX ALLOWABLE WK ² lb-ft ²	NEMA LOAD WK ² Sec	MAX ALLOWABLE WK ² Sec
1328	110	99	210	138	1714	2057	5.09	6.03

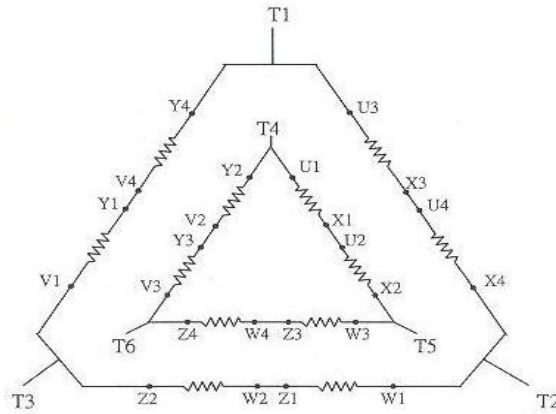
SAFE STALL TIME IN SECONDS		ALLOWABLE STARTS PER HOUR		SOUND PRESSURE LEVEL @ 3 FT dB(A)
COLD	HOT	COLD	HOT	
16.4	13.4	2	1	

APPROVED:	M. PRATER	DRAWING NO.	31057VHP4504	REVISION 0
-----------	------------------	-------------	---------------------	-------------------

DATE:
January 14, 2009

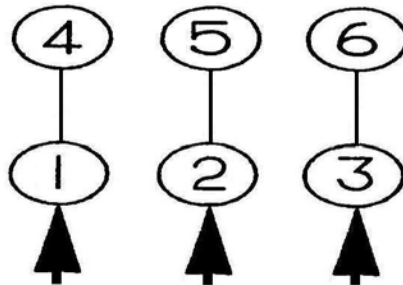
CONNECTION DIAGRAM

CATALOG NO.:



SCHEMATIC - 2Δ / Δ CONNECTION

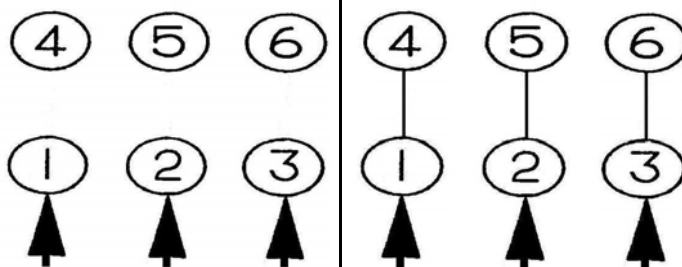
ACROSS THE LINE OR VFD CONNECTION



LINE

460 VOLT CONNECTION

460 VOLT PART WINDING START CONNECTION



LINE

460 VOLT START

LINE

460 VOLT RUN