
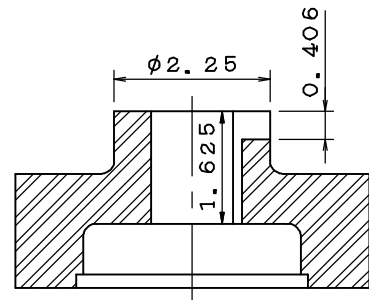
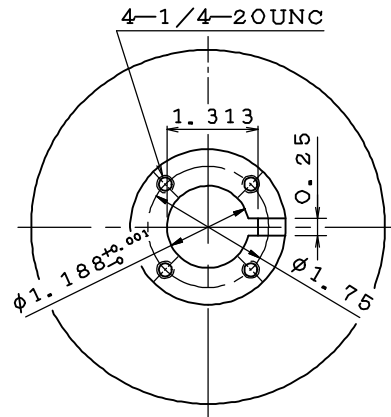
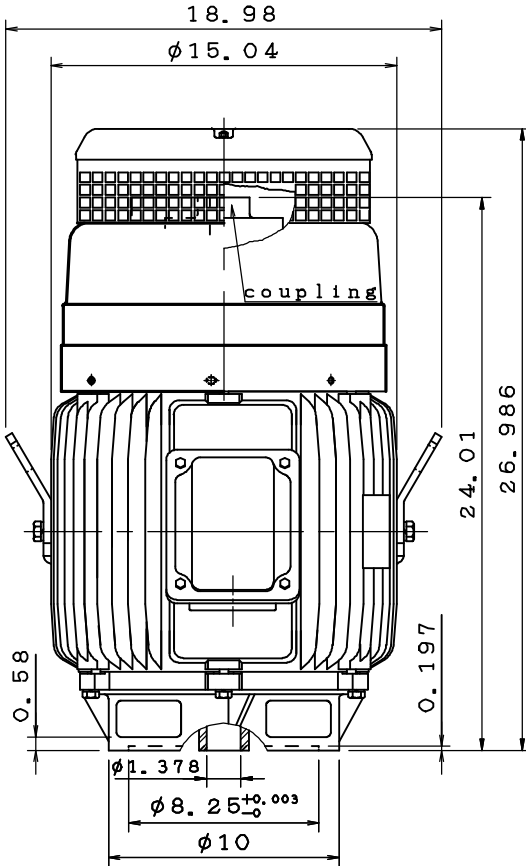


TECO  Westinghouse	OUTLINE DIMENSIONS		MOTOR TYPE: AEEHNH	
	DATE 05/25/2017		3-PHASE INDUCTION MOTOR	

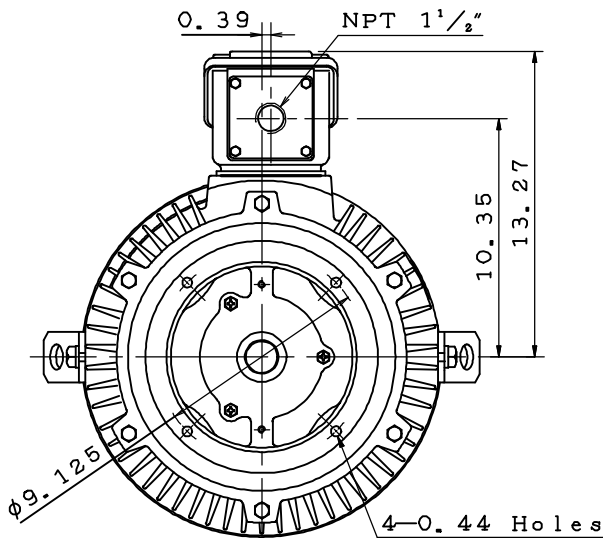
Pole	HP	kW	Hz	VOLT	r/min(rpm)
6	25	18.5	60	230/460	1200

Ins	Rating	Dimension in	Approx Weight	Bearings
F	CONT.	inches	460	DE:6311ZZC3 NDE:7312BE

Totally Enclosed Fan-Cooled Vertical Type. Squirrel-cage Rotor.



Coupling Dimension



- Note:
1. IP44 Protection.
 2. Rotation: C. C. W.
(View from Top)
 3. With Ball Type N. R. R.
 4. Thrust: 3350 lbs.
(L₁₀: 8800 hours)

TA17129-00-00

2	04.14.17	Fan Cover Dimension Change	周書緯	CATALOG# VHTP0156
---	----------	----------------------------	-----	-------------------

DWG.	王昱閔	12.21.16	TECO  Westinghouse	DWG NO.
CHKD.	林志昇	12.22.16		31057D368692
APPD.	楊文斌	12.22.16		

TECO Westinghouse

ISSUED January 17, 2017	PERFORMANCE DATA	ENCLOSURE TEFC
TYPE AEEHNH	3-PHASE INDUCTION MOTOR	CATALOG# VHTP0156

NAMEPLATE INFORMATION

OUTPUT		POLE	FRAME SIZE	VOLTAGE	HZ	RATED AMBIENT	INS. CLASS	NEMA DESIGN	TIME RATING	SERVICE FACTOR
HP	KW									
15	11.2	6	284TP	230/460	60	40°C	F	B	CONT.	1.15

TYPICAL PERFORMANCE

FULL LOAD RPM	EFFICIENCY				POWER FACTOR			MAXIMUM POWER FACTOR CORRECTION
	FULL LOAD		3/4 LOAD %	1/2 LOAD %	F. L. %	3/4 LOAD %	1/2 LOAD %	
	MIN. %	NOM. %						
1175	91.0	92.4	93.0	93.0	83.5	79.5	70.5	5.2 KVAR

CURRENTS

NO LOAD			FULL LOAD			LOCKED ROTOR			NEMA KVA CODE LETTER
AT	AT	AT	AT	AT	AT	AT	AT	AT	
208 VOLT	230 VOLT	460 VOLT	208 VOLT	230 VOLT	460 VOLT	208 VOLT	230 VOLT	460 VOLT	
16.1	13.1	6.6	40.26	36.41	18.20	256.54	232.00	116.00	G

TORQUE

INERTIA

ACCEL TIME

FULL LOAD lb-ft	LOCKED ROTOR %FLT	PULL UP %FLT	BREAK DOWN %FLT	ROTOR WR ² lb-ft ²	NEMA LOAD WK ² lb-ft ²	MAX ALLOWABLE WK ² lb-ft ²	NEMA LOAD WK ² Sec	MAX ALLOWABLE WK ² Sec
67	215	180	230	6.823	200	497	5.79	14.10

SAFE STALL TIME IN SECONDS

ALLOWABLE STARTS PER HOUR

COLD

HOT

COLD

HOT

29

20

2

1

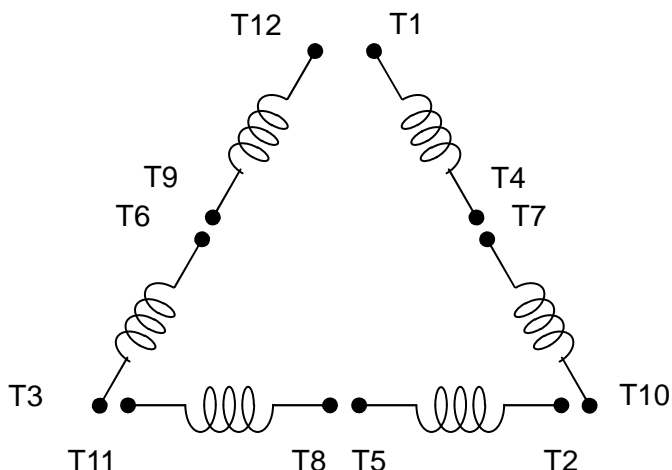
APPROVED:

M. PRATER

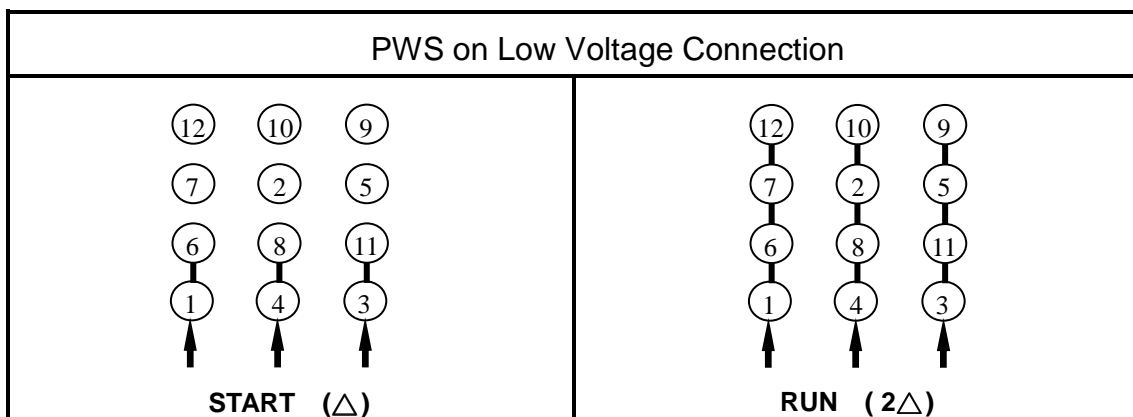
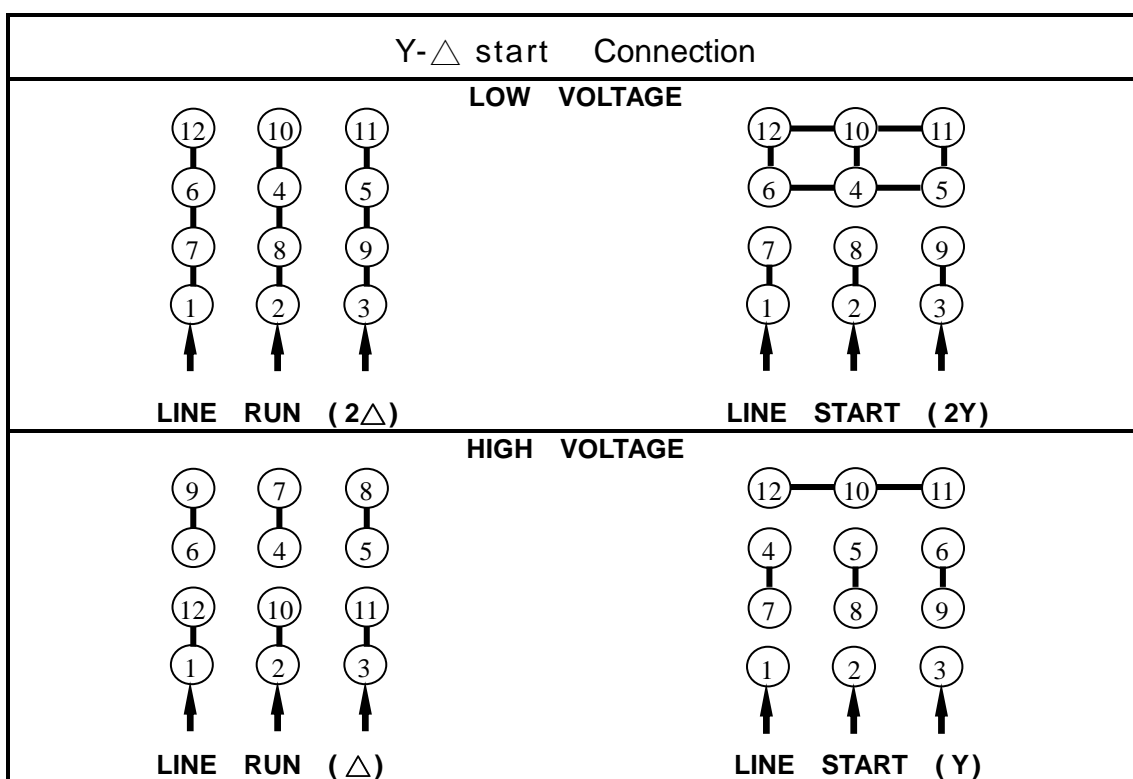
DRAWING NO.

31057VHTP0156

REVISION **0**



SCHEMATIC – 2Δ/2Y/Δ/Y CONNECTION



APPD.	M.C.Tsai	May,01,'09	TECO Electric & Machinery Co., Ltd.	DWG NO :
CHKD.	C.L.Huang	May,01,'09		DAC-1705
DWN.	J.C.Lan	May,01,'09		