

DATE April 1, 2017  
 CATALOG NO.: VHTP0504

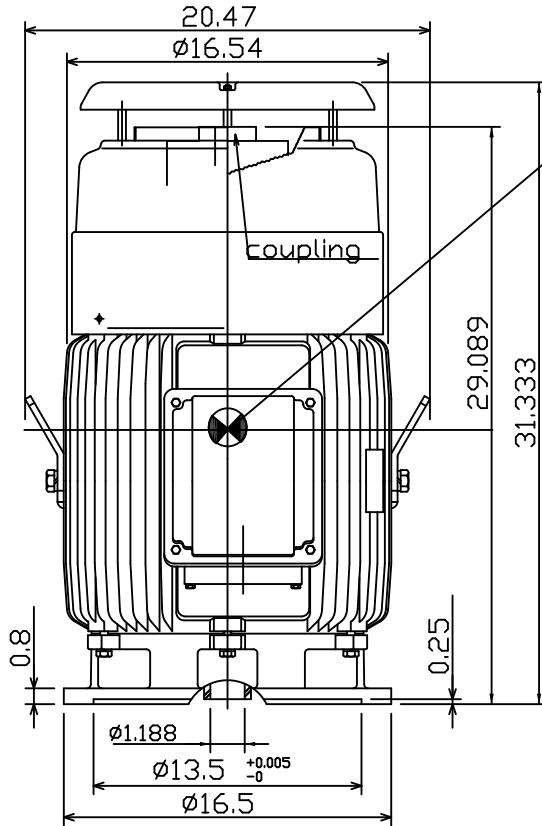
OUTLINE DIMENSIONS  
 3-PHASE INDUCTION MOTOR

MOTOR TYPE: AEEHNH  
 FRAME NO. 326TP

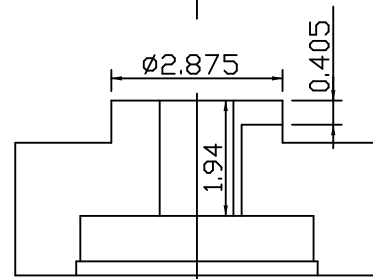
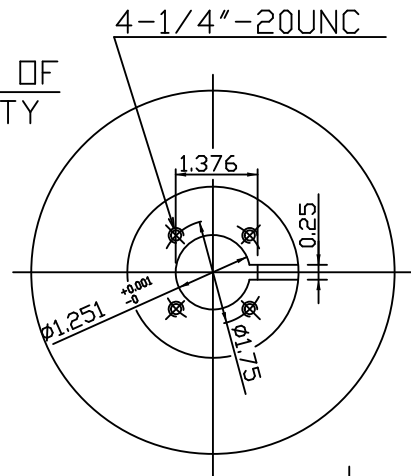
Pole	HP	kW	Hz	VOLT	Syn.Speed r/min(rpm)
4	50	37	60	230/460	1800

Ins	Rating	Dimension in	Approx Weight	Bearings
F	CONT.	inches	780 LBS.	DE: 6312C3 NDE: 7315B

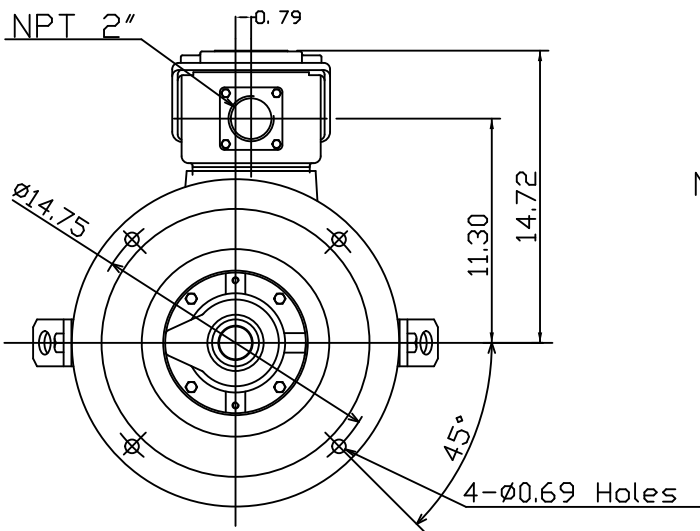
Totally Enclosed Fan Cooled Vertical Type. Squirrel-cage Rotor.



CENTER OF GRAVITY



Coupling Dimension



Note:  
 1. Downthrust 4500 lbs  
 L10:8800 LBS

CATALOG# VHTP0504



DWN.	K.L.KUD	09-30-08
CHKD.	K.L.KUD	10-06-08
APPD.	M.C.TSAI	10-06-08

TECO Westinghouse

DWG NO.  
 31057H417160

# TECO Westinghouse

ISSUED <b>January 17, 2017</b>	<b>PERFORMANCE DATA</b>	ENCLOSURE <b>TEFC</b>
TYPE <b>AEEHNH</b>	<b>3-PHASE INDUCTION MOTOR</b>	CATALOG# <b>VHTP0504</b>

### NAMEPLATE INFORMATION

OUTPUT		POLE	FRAME SIZE	VOLTAGE	HZ	RATED AMBIENT	INS. CLASS	NEMA DESIGN	TIME RATING	SERVICE FACTOR
HP	KW									
<b>50</b>	<b>37.3</b>	<b>4</b>	<b>326TP</b>	<b>230/460</b>	<b>60</b>	<b>40°C</b>	<b>F</b>	<b>B</b>	<b>CONT.</b>	<b>1.15</b>

### TYPICAL PERFORMANCE

FULL LOAD RPM	EFFICIENCY				POWER FACTOR			MAXIMUM POWER FACTOR CORRECTION
	FULL LOAD		3/4 LOAD %	1/2 LOAD %	F. L. %	3/4 LOAD %	1/2 LOAD %	
	MIN. %	NOM. %						
<b>1770</b>	<b>93.6</b>	<b>94.5</b>	<b>95.0</b>	<b>95.0</b>	<b>87.0</b>	<b>86.0</b>	<b>80.5</b>	<b>10.4 KVAR</b>

### CURRENTS

NO LOAD			FULL LOAD			LOCKED ROTOR			NEMA KVA CODE LETTER
AT	AT	AT	AT	AT	AT	AT	AT	AT	
208 VOLT	230 VOLT	460 VOLT	208 VOLT	230 VOLT	460 VOLT	208 VOLT	230 VOLT	460 VOLT	
<b>32.0</b>	<b>26.2</b>	<b>13.1</b>	<b>126</b>	<b>114</b>	<b>57</b>	<b>802</b>	<b>725</b>	<b>363</b>	<b>G</b>

### TORQUE

### INERTIA

### ACCEL TIME

FULL LOAD lb-ft	LOCKED ROTOR %FLT	PULL UP %FLT	BREAK DOWN %FLT	ROTOR WR <sup>2</sup> lb-ft <sup>2</sup>	NEMA LOAD WK <sup>2</sup> lb-ft <sup>2</sup>	MAX ALLOWABLE WK <sup>2</sup> lb-ft <sup>2</sup>	NEMA LOAD WK <sup>2</sup> Sec	MAX ALLOWABLE WK <sup>2</sup> Sec
<b>148</b>	<b>210</b>	<b>170</b>	<b>220</b>	<b>10.12</b>	<b>232</b>	<b>427</b>	<b>4.78</b>	<b>8.61</b>

SAFE STALL TIME IN SECONDS

ALLOWABLE STARTS PER HOUR

COLD

HOT

COLD

HOT

**17**

**12**

**2**

**1**

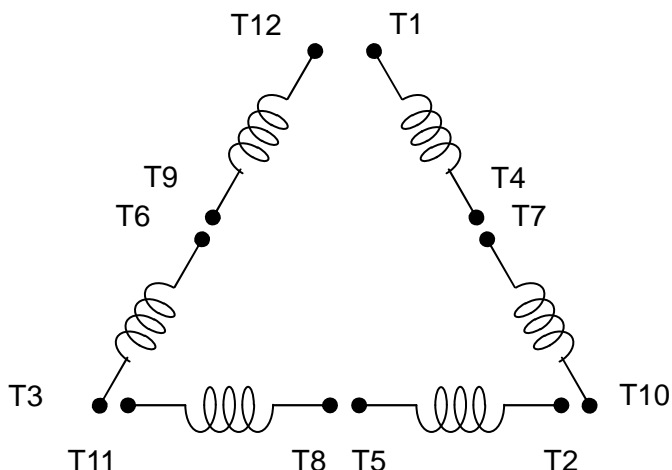
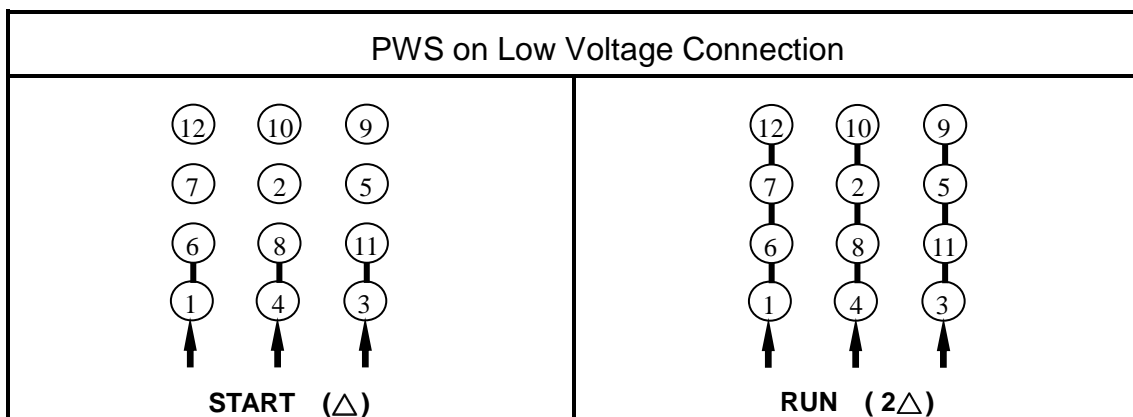
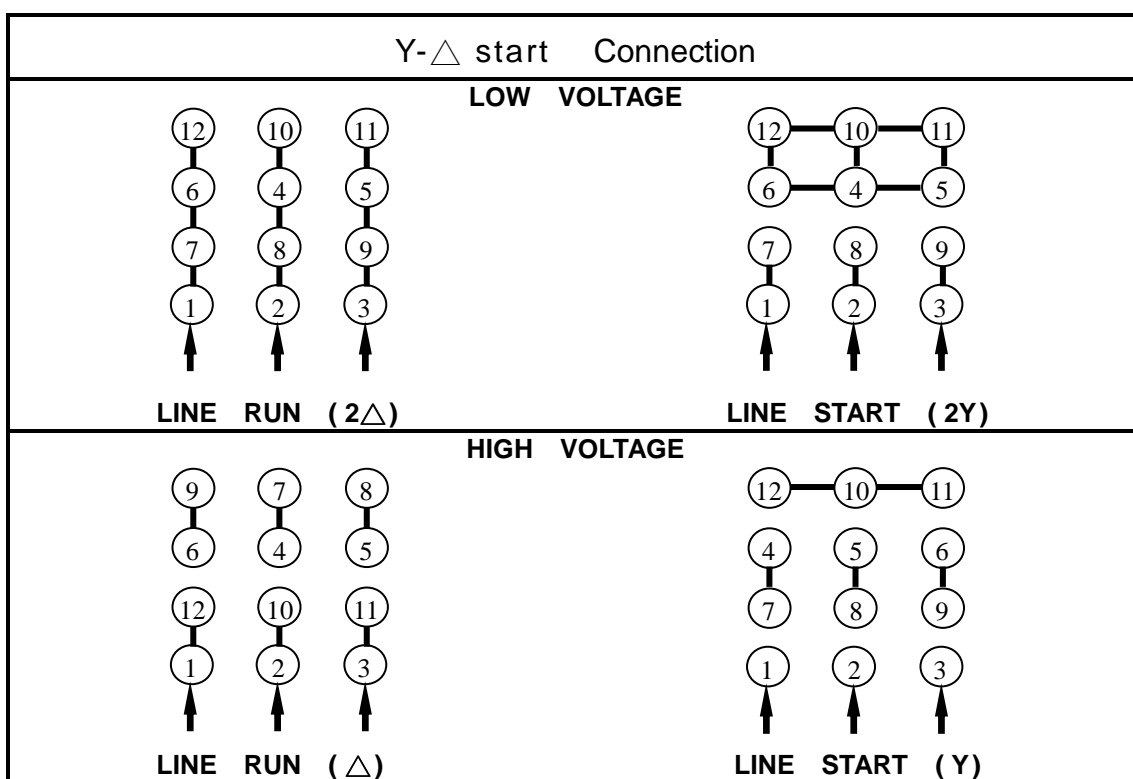
APPROVED:

**M. PRATER**

DRAWING NO.

**31057VHTP0504**

REVISION **0**


 SCHEMATIC – 2 $\Delta$ /2Y/ $\Delta$ /Y CONNECTION


APPD.	M.C.Tsai	May,01,'09	<b>TECO Electric &amp; Machinery Co., Ltd.</b>	DWG NO :
CHKD.	C.L.Huang	May,01,'09		DAC-1705
DWN.	J.C.Lan	May,01,'09		