
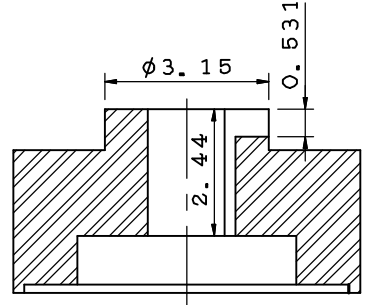
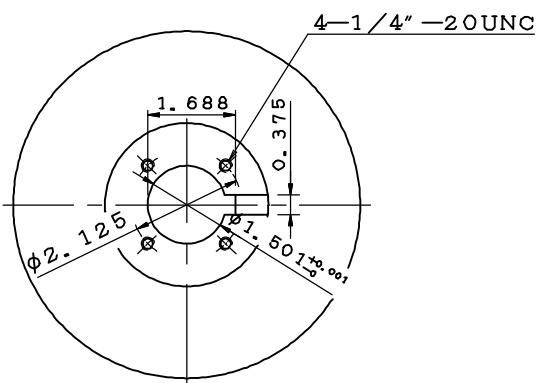
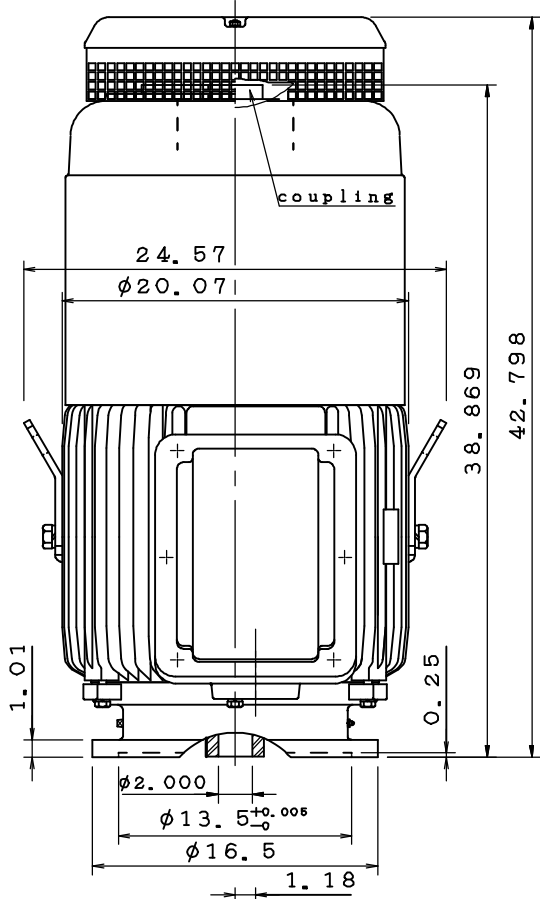


TECO  Westinghouse	OUTLINE DIMENSIONS		MOTOR TYPE: AEEHNH	
	DATE 05/25/2017		3-PHASE INDUCTION MOTOR	

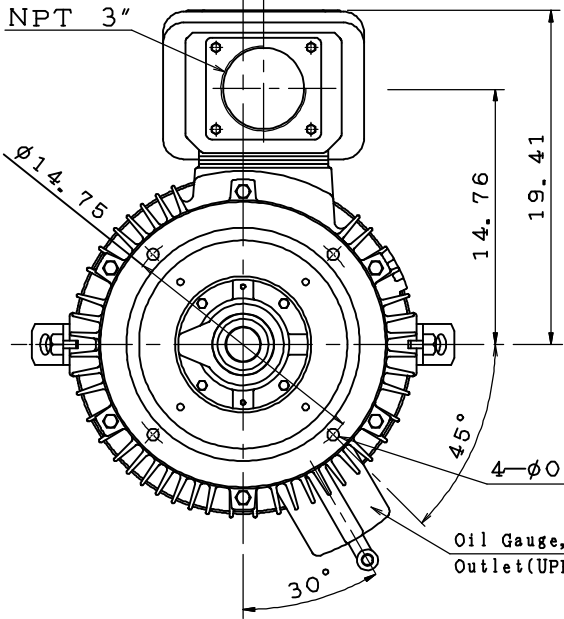
Pole	HP	kW	Hz	VOLT	r/min(rpm)
6	60	45	60	230/460	1200

Ins	Rating	Dimension in	Approx Weight	Bearings
F	CONT.	inches	1,210	DE: 6315C3 NDE: 7322B

Totally Enclosed Fan Cooled Vertical Type. Squirrel-cage Rotor.



Coupling Dimension



- Note:
1. IP44 Protection.
 2. Rotation: C. C. W. (View from top)
 3. With Ball Type N. R. R.
 4. Thrust: 9000 lbs. (L₁₀: 8800 hrs)

TA17129-00-00

			CATALOG# VHTP0606
---	--	--	-------------------

DWG.	周書緯	04.21.17
CHKD.	徐聰豪	04.28.17
APPD.	徐聰豪	04.28.17

TECO  **Westinghouse**

DWG NO. 31057A713030

TECO Westinghouse

ISSUED January 17, 2017	PERFORMANCE DATA	ENCLOSURE TEFC
TYPE AEEHNH	3-PHASE INDUCTION MOTOR	CATALOG# VHTP0606

NAMEPLATE INFORMATION

OUTPUT		POLE	FRAME SIZE	VOLTAGE	HZ	RATED AMBIENT	INS. CLASS	NEMA DESIGN	TIME RATING	SERVICE FACTOR
HP	KW									
60	44.8	6	404TP	230/460	60	40°C	F	B	CONT.	1.15

TYPICAL PERFORMANCE

FULL LOAD RPM	EFFICIENCY				POWER FACTOR			MAXIMUM POWER FACTOR CORRECTION
	FULL LOAD		3/4 LOAD %	1/2 LOAD %	F. L. %	3/4 LOAD %	1/2 LOAD %	
	MIN. %	NOM. %						
1180	93.6	94.5	94.5	94.1	87.0	86.5	80.5	14.4 KVAR

CURRENTS

NO LOAD			FULL LOAD			LOCKED ROTOR			NEMA KVA CODE LETTER
AT	AT	AT	AT	AT	AT	AT	AT	AT	
208 VOLT	230 VOLT	460 VOLT	208 VOLT	230 VOLT	460 VOLT	208 VOLT	230 VOLT	460 VOLT	
44.3	36.2	18.1	151	137	68	962	870	435	G

TORQUE

INERTIA

ACCEL TIME

FULL LOAD lb-ft	LOCKED ROTOR %FLT	PULL UP %FLT	BREAK DOWN %FLT	ROTOR WR ² lb-ft ²	NEMA LOAD WK ² lb-ft ²	MAX ALLOWABLE WK ² lb-ft ²	NEMA LOAD WK ² Sec	MAX ALLOWABLE WK ² Sec
267	200	185	245	33.54	735	1828	5.36	12.98

SAFE STALL TIME IN SECONDS

ALLOWABLE STARTS PER HOUR

COLD

HOT

COLD

HOT

34

24

2

1

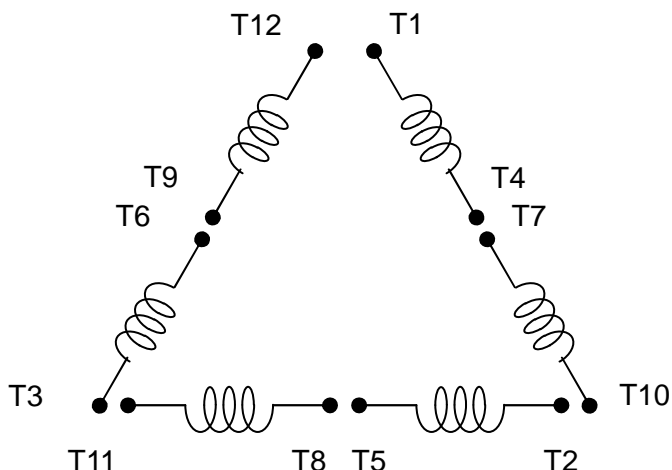
APPROVED:

M. PRATER

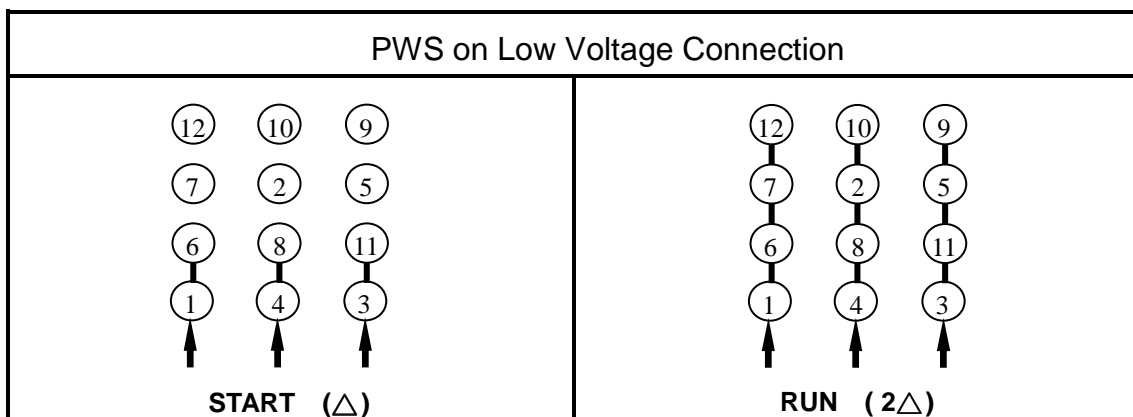
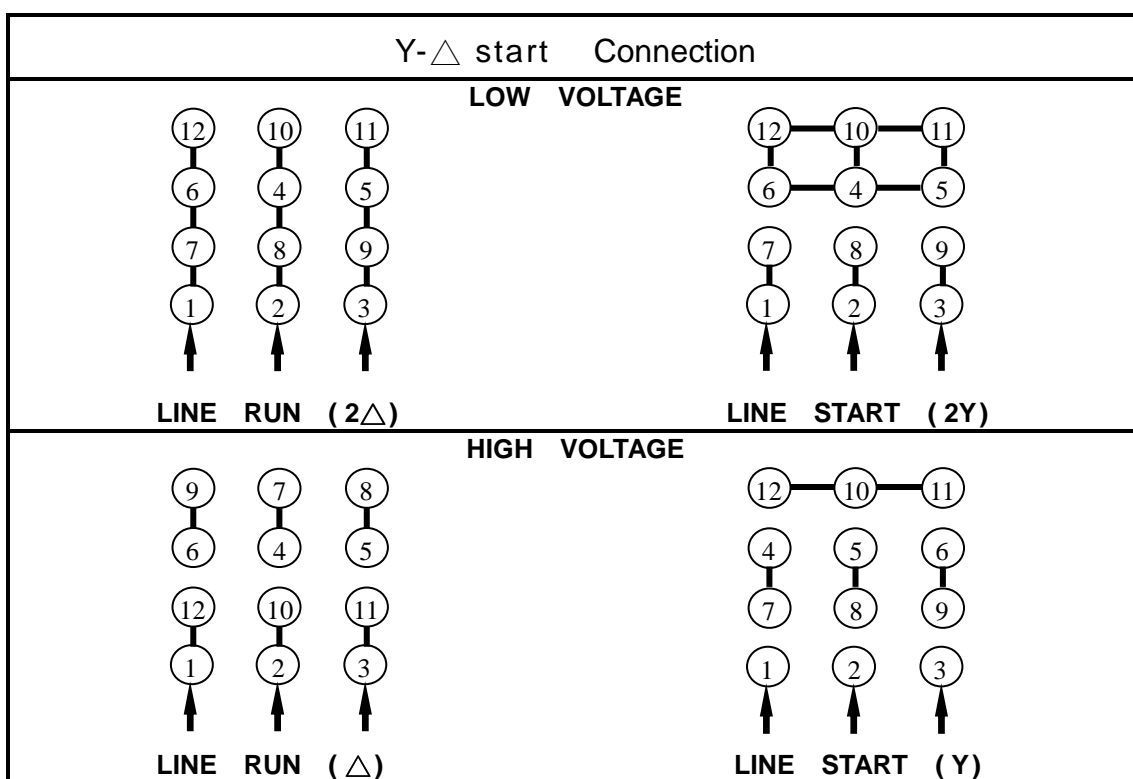
DRAWING NO.

31057VHTP0606

REVISION **0**



SCHEMATIC – 2Δ/2Y/Δ/Y CONNECTION



APPD.	M.C.Tsai	May,01,'09	TECO Electric & Machinery Co., Ltd.	DWG NO :
CHKD.	C.L.Huang	May,01,'09		DAC-1705
DWN.	J.C.Lan	May,01,'09		