

BALDOR® • RELIANCE 

Product Information Packet

VM3535

.33HP, 1140RPM, 3PH, 60HZ, 56C, 3414M, TEFC, F1

| Part Detail | | | | | | | |
|-------------|--------|-------------|------------|-------------|--------|---------------|----|
| Revision: | S | Status: | PRD/A | Change #: | | Proprietary: | No |
| Type: | AC | Elec. Spec: | 34WG5883 | CD Diagram: | CD0005 | Mfg Plant: | |
| Mech. Spec: | 34A063 | Layout: | 34LYA063 | Poles: | 06 | Created Date: | |
| Base: | N | Eff. Date: | 10-30-2018 | Leads: | 9#18 | | |

| Specs | | | |
|---------------------------------|-------------------------|--------------------------------|-----------------|
| Catalog Number: | VM3535 | Insulation Class: | B |
| Enclosure: | TEFC | Inverter Code: | Not Inverter |
| Frame: | 56C | KVA Code: | K |
| Frame Material: | Steel | Lifting Lugs: | No Lifting Lugs |
| Output @ Frequency: | .330 HP @ 60 HZ | Locked Bearing Indicator: | Locked Bearing |
| Synchronous Speed @ Frequency: | 1200 RPM @ 60 HZ | Motor Lead Quantity/Wire Size: | 9 @ 18 AWG |
| Voltage @ Frequency: | 460.0 V @ 60 HZ | Motor Lead Exit: | Ko Box |
| | 230.0 V @ 60 HZ | Motor Lead Termination: | Flying Leads |
| XP Class and Group: | None | Motor Type: | 3414M |
| XP Division: | Not Applicable | Mounting Arrangement: | F1 |
| Agency Approvals: | CSA | Power Factor: | 51 |
| | UR | Product Family: | General Purpose |
| Auxillary Box: | No Auxillary Box | Pulley End Bearing Type: | Ball |
| Auxillary Box Lead Termination: | None | Pulley Face Code: | C-Face |
| Base Indicator: | No Mounting | Pulley Shaft Indicator: | Standard |
| Bearing Grease Type: | Polyrex EM (-20F +300F) | Rodent Screen: | None |
| Blower: | None | RoHS Status: | ROHS COMPLIANT |
| Current @ Voltage: | .900 A @ 460.0 V | Shaft Extension Location: | Pulley End |

| | | | |
|---------------------------------------|---------------------------|------------------------------------|---------------------|
| | 1.800 A @ 230.0 V | Shaft Ground Indicator: | No Shaft Grounding |
| | 2.100 A @ 208.0 V | Shaft Rotation: | Reversible |
| Design Code: | B | Shaft Slinger Indicator: | No Slinger |
| Drip Cover: | No Drip Cover | Speed Code: | Single Speed |
| Duty Rating: | CONT | Motor Standards: | NEMA |
| Electrically Isolated Bearing: | Not Electrically Isolated | Starting Method: | Direct on line |
| Feedback Device: | NO FEEDBACK | Thermal Device - Bearing: | None |
| Front Face Code: | Standard | Thermal Device - Winding: | None |
| Front Shaft Indicator: | None | Vibration Sensor Indicator: | No Vibration Sensor |
| Heater Indicator: | No Heater | Winding Thermal 1: | None |
| | | Winding Thermal 2: | None |

| Nameplate NP1256L | | | | | | | | | | |
|-------------------|--------------|--|--|------|-----|------|---|--|----------------|-----|
| CAT.NO. | VM3535 | | | | | | | | | |
| SPEC. | 34A63-5883 | | | | | | | | | |
| HP | .33 | | | | | | | | | |
| VOLTS | 230/460 | | | | | | | | | |
| AMP | 1.8/.9 | | | | | | | | | |
| RPM | 1140 | | | | | | | | | |
| FRAME | 56C | | | | HZ | 60 | | | PH | 3 |
| SER.F. | 1.35 | | | CODE | K | DES | B | | CLASS | B |
| NEMA-NOM-EFF | 70 | | | PF | 51 | | | | | |
| RATING | 40C AMB-CONT | | | | | | | | | |
| CC | | | | | | | | | USABLE AT 208V | 2.1 |
| DE | 6203 | | | | ODE | 6203 | | | | |
| ENCL | TEFC | | | SN | | | | | | |
| | SFA 2/1 | | | | | | | | | |

| Parts List | | |
|---------------|--|----------|
| Part Number | Description | Quantity |
| SA009881 | SA 34A63-5883 | 1.000 EA |
| RA006326 | RA 34A63-5883 | 1.000 EA |
| NS2512A01 | INSULATOR, CONDUIT BOX X | 1.000 EA |
| 34CB3002A | CB CAST W/.88 DIA HOLE | 1.000 EA |
| 34GS1029A01 | GASKET, CONDUIT BOX | 1.000 EA |
| 51XB1016A07 | 10-16 X 7/16 HXWSSLD SERTYB | 2.000 EA |
| 11XW1032G06 | 10-32 X .38, TAPTITE II, HEX WSHR SLTD U | 1.000 EA |
| 34EP3102A01SP | FR ENDPLATE, MACH | 1.000 EA |
| HW5100A03 | WAVY WASHER (W1543-017) | 1.000 EA |
| 34EP3300A24SP | PU ENDPLATE, MACH | 1.000 EA |
| 51XN1032A20 | 10-32 X 1 1/4 HX WS SL SR | 2.000 EA |
| 34FN3002A01SP | EXTERNAL FAN, PLASTIC, .637/.639 HUB W/ | 1.000 EA |
| 51XW1032A06 | 10-32 X .38, TAPTITE II, HEX WSHR SLTD S | 3.000 EA |
| 34CB4517 | CB LID 4 MTG HOLES .22 DIA STAMPED, FOR | 1.000 EA |
| 34GS1031A01 | GASKET, FLAT CONDUIT BOX LID (LEXIDE) | 1.000 EA |
| 51XW0832A07 | 8-32 X .44, TAPTITE II, HEX WSHR SLTD SE | 4.000 EA |
| HW2501D13 | KEY, 3/16 SQ X 1.375 | 1.000 EA |
| 34FH4002A01SP | IEC FH NO GREASER PRIMED | 1.000 EA |
| HA7000A04 | KEY RETAINER 0.625 DIA SHAFTS | 1.000 EA |
| MG1000G27 | MED CHARCOAL METALLIC GREY 400-0096 | 0.014 GA |
| 85XU0407S04 | 4X1/4 U DRIVE PIN STAINLESS | 2.000 EA |
| HA3100A12 | THRUBOLT 10-32 X 7.375 | 4.000 EA |
| MN416A01 | TAG-INSTAL-MAINT no wire (2100/bx) 4/22 | 1.000 EA |
| LC0005E01 | CONN.DIA./WARNING LABEL (LC0005/LB1119N) | 1.000 EA |

| Parts List (continued) | | |
|-------------------------------|-------------------------------------|-----------------|
| Part Number | Description | Quantity |
| NP1256L | ALUM UL CSA CC INDUSTRIAL MOTOR A60 | 1.000 EA |
| 35PA1066 | PKG GRP, PRINT PK1001A01 | 1.000 EA |
| PK3083 | STYROFOAM PACKING CRADLE | 1.000 EA |
| PK3088 | MICROFOAM, 8"X"8 PERF. SHEETS | 1.000 EA |

AC Induction Motor Performance Data

Record # 6833

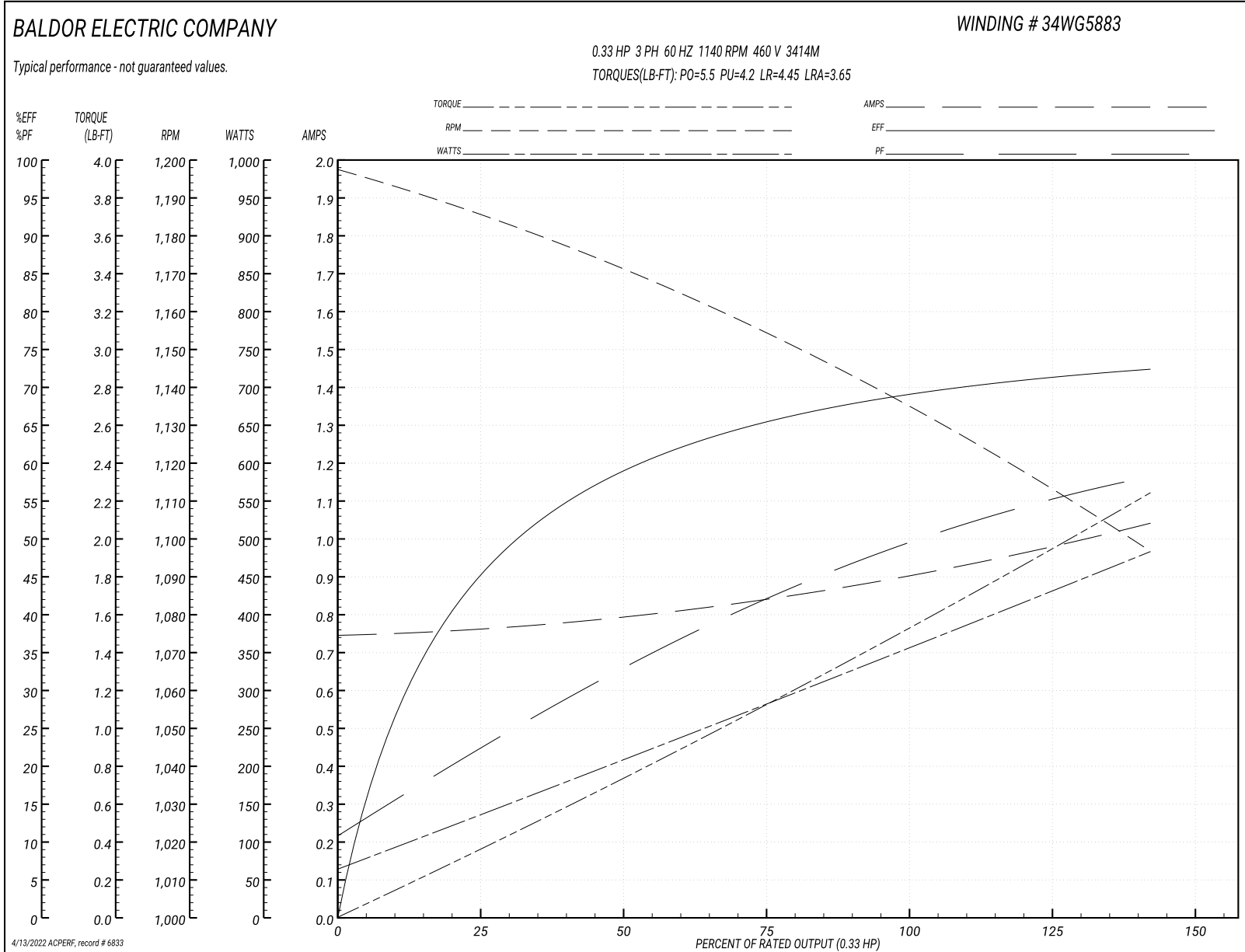
Typical performance - not guaranteed values

| Winding: 34WG5883-R001 | | Type: 3414M | | Enclosure: TEFC | |
|-------------------------------|-----------------|--------------------------------|--|------------------------|--|
| Nameplate Data | | | 460 V, 60 Hz: High Voltage Connection | | |
| Rated Output (HP) | .33 | Full Load Torque | 1.5 LB-FT | | |
| Volts | 230/460 | Start Configuration | direct on line | | |
| Full Load Amps | 1.8/.9 | Breakdown Torque | 5.5 LB-FT | | |
| R.P.M. | 1140 | Pull-up Torque | 4.2 LB-FT | | |
| Hz | 60 Phase | Locked-rotor Torque | 4.45 LB-FT | | |
| NEMA Design Code | B KVA Code | Starting Current | 3.65 A | | |
| Service Factor (S.F.) | 1.35 | No-load Current | 0.75 A | | |
| NEMA Nom. Eff. | 70 Power Factor | Line-line Res. @ 25°C | 58.3 Ω | | |
| Rating - Duty | 40C AMB-CONT | Temp. Rise @ Rated Load | 46°C | | |
| S.F. Amps | 2/1 | Temp. Rise @ S.F. Load | 58°C | | |

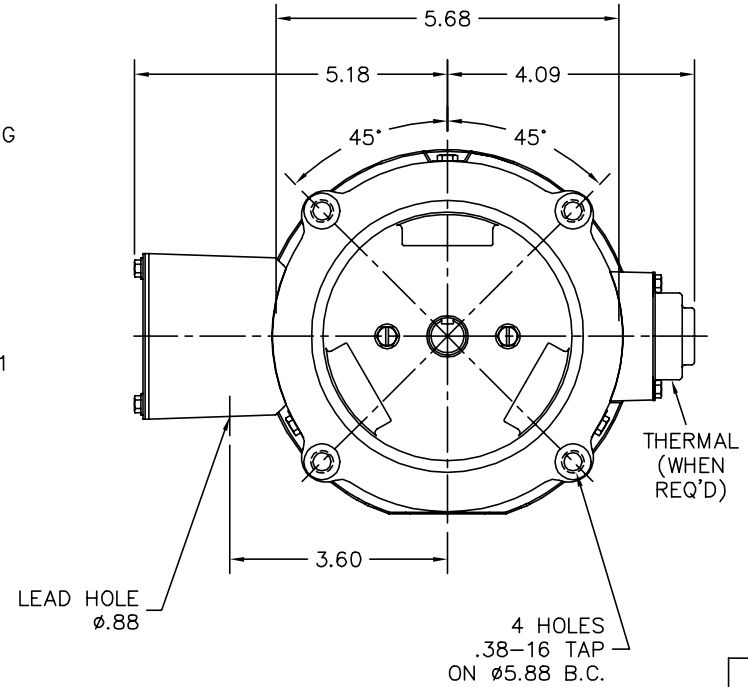
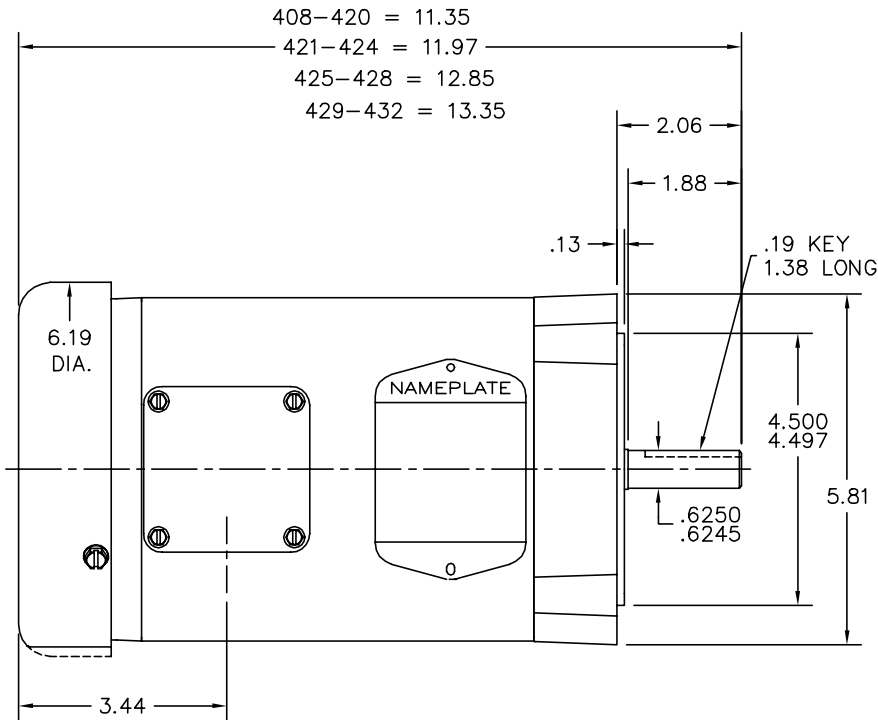
Load Characteristics 460 V, 60 Hz, 0.33 HP

| % of Rated Load | 25 | 50 | 75 | 100 | 125 | 150 | S.F. |
|------------------------|-----------|-----------|-----------|------------|------------|------------|-------------|
| Power Factor | 19 | 30 | 42 | 51 | 58 | 64 | 62 |
| Efficiency | 44 | 58 | 66 | 70 | 71 | 72 | 71 |
| Speed | 1185 | 1170 | 1155 | 1135 | 1120 | 1095 | 1110 |
| Line amperes | 0.75 | 0.8 | 0.85 | 0.9 | 0.95 | 1.05 | 1 |

Performance Graph at 460V, 60Hz, 0.33HP Typical performance - Not guaranteed values



34LYA063



CUSTOMER IS RESPONSIBLE FOR DETERMINING THAT BALDOR'S PRODUCT WILL PERFORM SUITABLY IN THE INTENDED APPLICATION.

| | | |
|-------------------------|------------------------------|-------------------|
| REV. DESC: UPDATE PARTS | | |
| REV. LTR: L | VERSION: 02 | TDR: 000000998268 |
| FILE: \AAA\00000\724 | REVISED: 02:36:11 09/27/2016 | BY: ENBENBO |
| MTL: - | ☉ □ | |

BALDOR

STD VERT 34M NEMA 56C TEFC

SH 1 of 1

34LYA063

CD0005

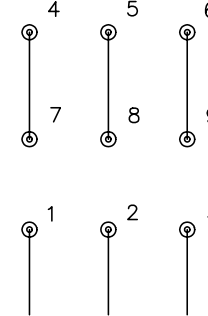


LOW VOLTAGE
(2Y)



LINE

HIGH VOLTAGE
(1Y)



LINE

NOTES:

1. INTERCHANGE ANY TWO LINE LEADS TO REVERSE ROTATION.
2. OPTIONAL THERMOSTATS ARE PROVIDED WHEN SPECIFIED.
3. ACTUAL NUMBER OF INTERNAL PARALLEL CIRCUITS MAY BE A MULTIPLE OF THOSE SHOWN ABOVE.
4. LEAD COLORS ARE OPTIONAL. LEADS MUST ALWAYS BE NUMBERED AS SHOWN.

REV. DESC: REVISE TO SHOW OPTIONAL COLORS

REV. LTR: E BY: JLP

REVISED: 01/19/99 10:15

TDR: 0171435

90000

FILE: AAA00005140

MDL: -

MTL: -

BALDOR ELECTRIC Co.

3PH, DV, 9 LEADS

CD0005