

**BALDOR® • RELIANCE** 

**Product Information Packet**

**VXM050242A**

**0.25HP, 1725RPM, 3PH, 60HZ, 56C, XPFC, F1**

Part Detail							
Revision:	A	Status:	PRD/A	Change #:		Proprietary:	No
Type:	AC	Elec. Spec:	34WG5724	CD Diagram:	CD0007	Mfg Plant:	
Mech. Spec:		Layout:	34LY5336	Poles:	04	Created Date:	08-06-2020
Base:		Eff. Date:	05-26-2021	Leads:	12#18		

Specs			
Catalog Number:	VXM050242A	Heater Indicator:	No Heater
Enclosure:	XPFC	Insulation Class:	B
Frame:	56C	Inverter Code:	Not Inverter
Frame Material:	Steel	IP Rating:	NONE
Output @ Frequency:	.250 HP @ 60 HZ	KVA Code:	L
Synchronous Speed @ Frequency:	1800 RPM @ 60 HZ	Lifting Lugs:	No Lifting Lugs
Voltage @ Frequency:	208.0 V @ 60 HZ	Locked Bearing Indicator:	No Locked Bearing
	230.0 V @ 60 HZ	Motor Lead Termination:	Flying Leads
	460.0 V @ 60 HZ	Motor Type:	3410M
XP Class and Group:	CLI GP D; CLII GP F,G	Mounting Arrangement:	F1
XP Division:	Division I	Power Factor:	56
Agency Approvals:	UR	Product Family:	Hazardous Location Motor
	CSA	Pulley Face Code:	C-Face
Auxillary Box:	No Auxillary Box	Rodent Screen:	None
Auxillary Box Lead Termination:	None	Shaft Ground Indicator:	No Shaft Grounding
Base Indicator:	No Mounting	Shaft Rotation:	Reversible
Bearing Grease Type:	Polyrex EM (-20F +300F)	Speed Code:	Single Speed
Blower:	None	Motor Standards:	NEMA

<b>Current @ Voltage:</b>	.650 A @ 460.0 V	<b>Starting Method:</b>	Direct on line
	1.300 A @ 230.0 V	<b>Thermal Device - Bearing:</b>	None
	1.400 A @ 208.0 V	<b>Thermal Device - Winding:</b>	None
<b>Design Code:</b>	B	<b>Vibration Sensor Indicator:</b>	No Vibration Sensor
<b>Drip Cover:</b>	No Drip Cover	<b>Winding Thermal 1:</b>	Automatic Thermal Overload
<b>Duty Rating:</b>	CONT	<b>Winding Thermal 1 Location:</b>	EP
<b>Electrically Isolated Bearing:</b>	Not Electrically Isolated	<b>Winding Thermal 2:</b>	None
<b>Feedback Device:</b>	NO FEEDBACK	<b>XP Temp Code:</b>	T3C

Nameplate NP0016XPSL	
NO.	[ ] CC [ ]
SER. #	[ ]
SPEC	34-0000-0389
CAT.NO.	VXM050242A
H.P.	.25 T. CODE T3C
VOLTS	208-230/460
AMPS	1.4-1.3/.65
R.P.M.	1725 34WG5724
HZ	60 PH 3 CLASS B
SER.F.	1.00 DES B CODE L
RATING	40C AMB-CONT
FRAME	56C NEMA NOM. EFF 63
USABLE AT 208V	PF 56
BLANK	NEMA MG-1 PART 5, IP54

Parts List		
Part Number	Description	Quantity
SA385399	SA 34-0000-0389	1.000 EA
RA375640	RA 34-0000-0389	1.000 EA
LB1118	LABEL,WARNING (ROLL LABEL)	1.000 EA
LC0007	CONNECTION LABEL	1.000 EA
PK3083	STYROFOAM PACKING CRADLE	1.000 EA
PK3088	MICROFOAM, 8"X"8 PERF. SHEETS	1.000 EA
NP0016XPSL	SS XP UL CSA CC CL-I GP-D CL-II GP-F&G	1.000 EA
85XU0407S04	4X1/4 U DRIVE PIN STAINLESS	2.000 EA
85XU0407S04	4X1/4 U DRIVE PIN STAINLESS	4.000 EA
MN416A01	TAG-INSTAL-MAINT no wire (2100/bx) 4/22	1.000 EA
NP0018W	ALUM UL XP CONDUIT BOX NAMEPLATE	1.000 EA
TPMYJ80KX	THERMAL 3PH 0.75 AUT 120C	1.000 EA
51XT0632A06	6-32X3/8 TY23 HXWS SLDSR	2.000 EA
51XT0632A06	6-32X3/8 TY F HEX HD SLT	2.000 EA
HA6001A03	THERMAL RETAINER (PLATED)	1.000 EA
HA6001A01	THERMAL RETAINER (PLATED)	1.000 EA
NS2500A05	INSULATOR, AUTO THER PROT	1.000 EA
NS2500A01	INSULATOR, AUTO THER PROT	1.000 EA
34FH4002A01SP	IEC FH NO GREASER PRIMED	1.000 EA
51XW1032A06	10-32 X .38, TAPTITE II, HEX WSHR SLTD S	3.000 EA
34FN3002A01SP	EXTERNAL FAN, PLASTIC, .637/.639 HUB W/	1.000 EA
MJ1000A02	GREASE, MOBIL POLYREX EM - 124047	0.050 LB
HA3104A03	THRUBOLT 5/16-18 X 7.625 W QTE#457	4.000 EA
34EP3703A01	FR ENDPLATE, MACH XP	1.000 EA

Parts List (continued)		
Part Number	Description	Quantity
HW5100A03	WAVY WASHER (W1543-017)	1.000 EA
34EP3705A01SP	PU ENDPLATE, MACH	1.000 EA
35CB3001A01SP	EXPL CONDUIT BOX, MACH, 1/2" PIPE TAP LE	1.000 EA
HW3001B02	BRASS CUP WASHER W/GROUND SYMBOL TAB,	1.000 EA
11XW1032G06	10-32 X .38, TAPTITE II, HEX WSHR SLTD U	1.000 EA
HW4002A02	1-11.5X2LG PIPE NIPPLE (F/S)	1.000 EA
35CB3500A01SP	CONDUIT BOX LID, MACH	1.000 EA
51XN2520A16	SCREW, HEX WS SLT, ZN, 1/4-20 X 1.00	4.000 EA
SP5037A01	TERMINAL PLATE ASS'Y MODEL 34 - 3 PHASE	1.000 EA
51XW0832A07	8-32 X .44, TAPTITE II, HEX WSHR SLTD SE	2.000 EA
HA1025A13	WSHR,FELT,.38" THICK F-26 CLASS	1.000 EA
HW3021E06	1/8 DIA X 5/8 ROLLPIN (F/S)	1.000 EA
WD1000A16	2-520128-2 AMP FLAG TERMINAL(4M/RL)	12.000 EA
WD1000A16	2-520128-2 AMP FLAG TERMINAL(4M/RL)	12.000 EA
MG1025G29	WILKOFASST, 789.229, DARK CHARCOAL GRAY	0.014 GA
36PA1000	PKG GRP, PRINT PK1016A06	1.000 EA
HW2501D13	KEY, 3/16 SQ X 1.375	1.000 EA
HA7000A04	KEY RETAINER 0.625 DIA SHAFTS	1.000 EA
MJ5000A09	EFI KIT #1578 (400 ML CARTRIDGE OF EFI	0.031 EA

**AC Induction Motor Performance Data**

Record # 16504

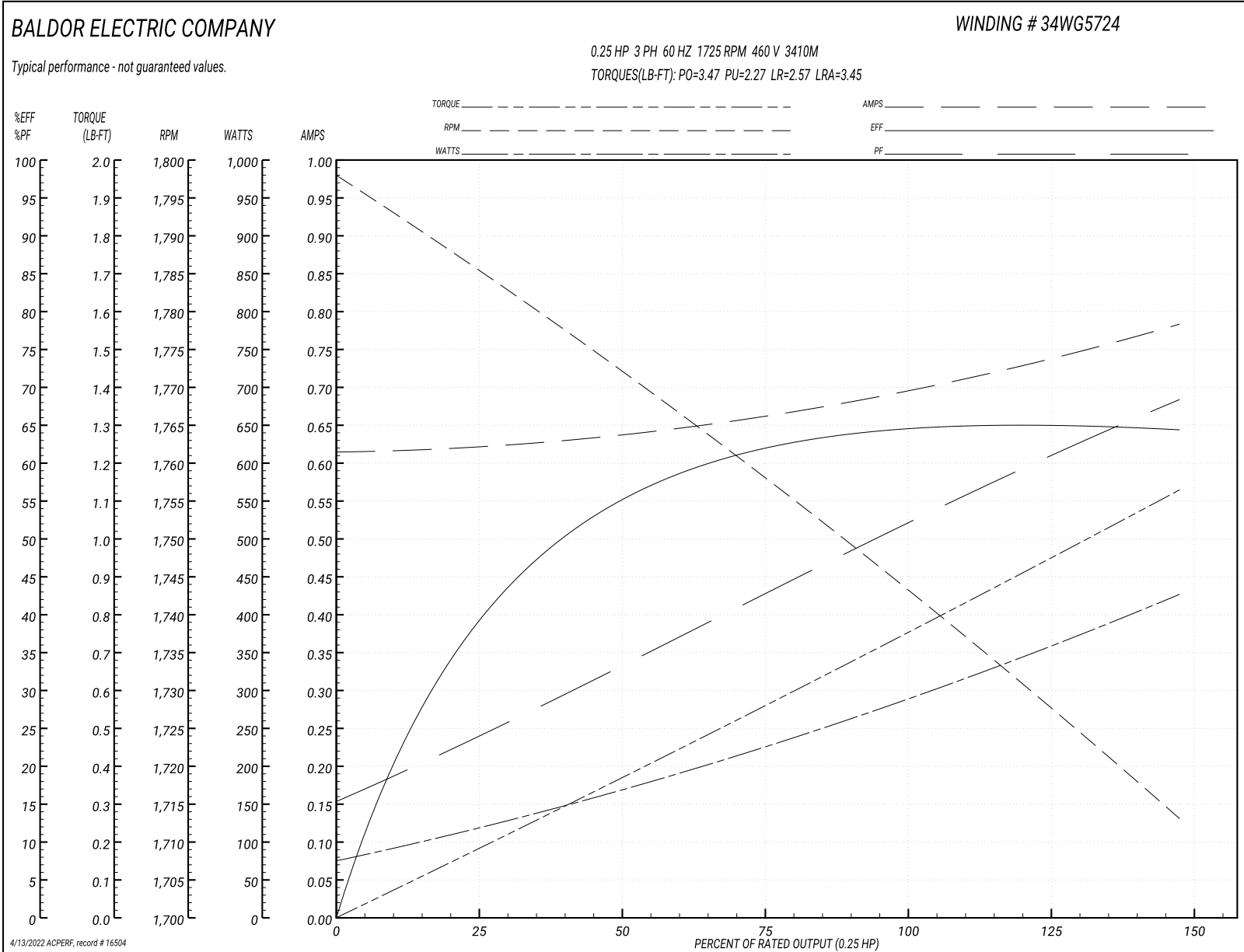
Typical performance - not guaranteed values

<b>Winding:</b> 34WG5724-R001		<b>Type:</b> 3410M		<b>Enclosure:</b> XPFC	
<b>Nameplate Data</b>			<b>460 V, 60 Hz: High Voltage Connection</b>		
<b>Rated Output (HP)</b>	0.25	<b>Full Load Torque</b>	0.75 LB-FT		
<b>Volts</b>	208-230/460	<b>Start Configuration</b>	direct on line		
<b>Full Load Amps</b>	1.4-1.3/0.65	<b>Breakdown Torque</b>	3.47 LB-FT		
<b>R.P.M.</b>	1725	<b>Pull-up Torque</b>	2.27 LB-FT		
<b>Hz</b>	60 <b>Phase</b>	3	<b>Locked-rotor Torque</b>	2.57 LB-FT	
<b>NEMA Design Code</b>	B	<b>KVA Code</b>	L	<b>Starting Current</b>	3.45 A
<b>Service Factor (S.F.)</b>	1		<b>No-load Current</b>	0.6 A	
<b>NEMA Nom. Eff.</b>	63	<b>Power Factor</b>	56	<b>Line-line Res. @ 25°C</b>	70.7 Ω
<b>Rating - Duty</b>	40C AMB-CONT		<b>Temp. Rise @ Rated Load</b>		

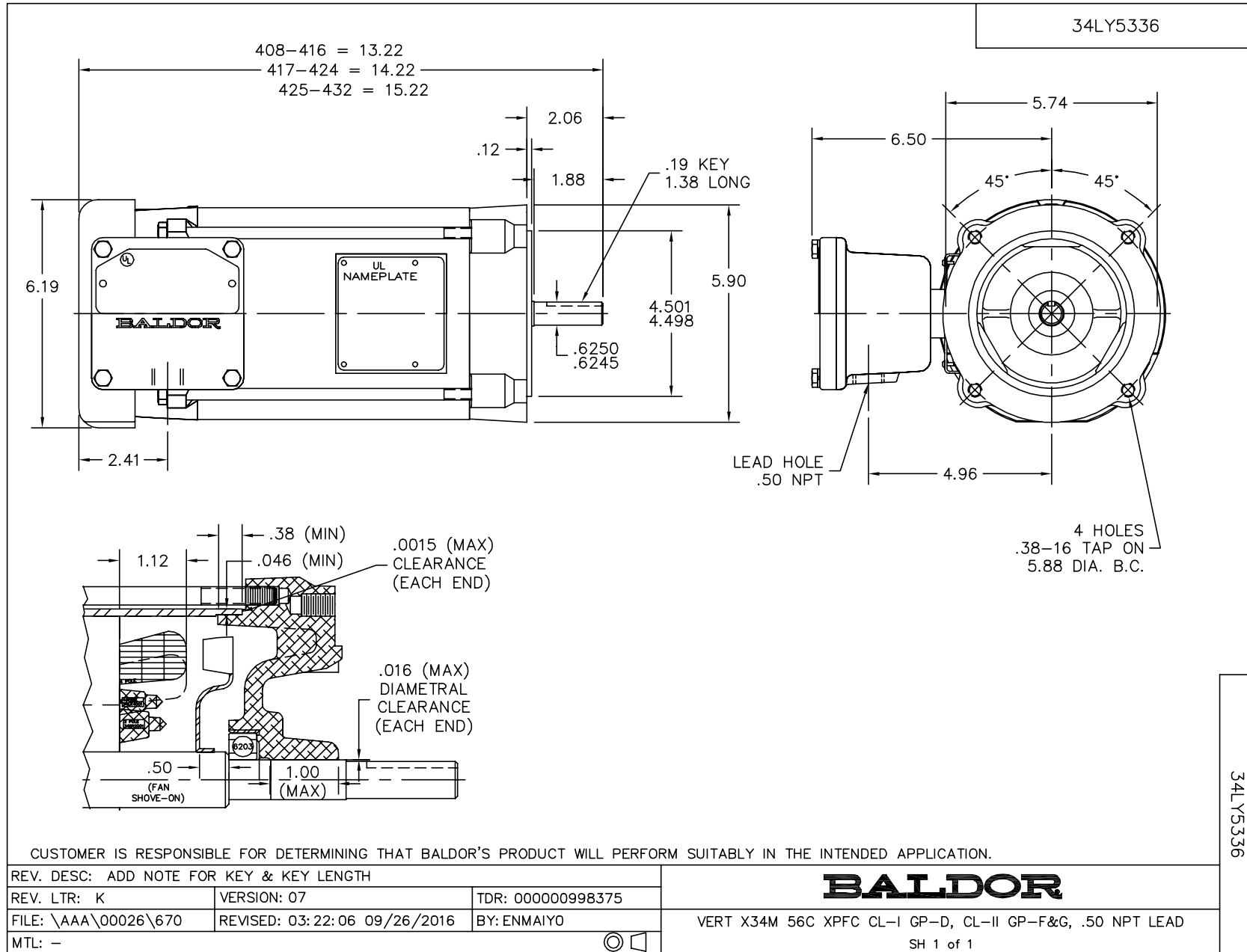
**Load Characteristics 460 V, 60 Hz, 0.25 HP**

<b>% of Rated Load</b>	<b>25</b>	<b>50</b>	<b>75</b>	<b>100</b>	<b>125</b>	<b>150</b>
<b>Power Factor</b>	23	33	43	54	60	68
<b>Efficiency</b>	40.1	55.5	62.5	64	64.9	64.5
<b>Speed</b>	1785	1772	1758	1743	1729	1713
<b>Line amperes</b>	0.64	0.65	0.66	0.67	0.74	0.79

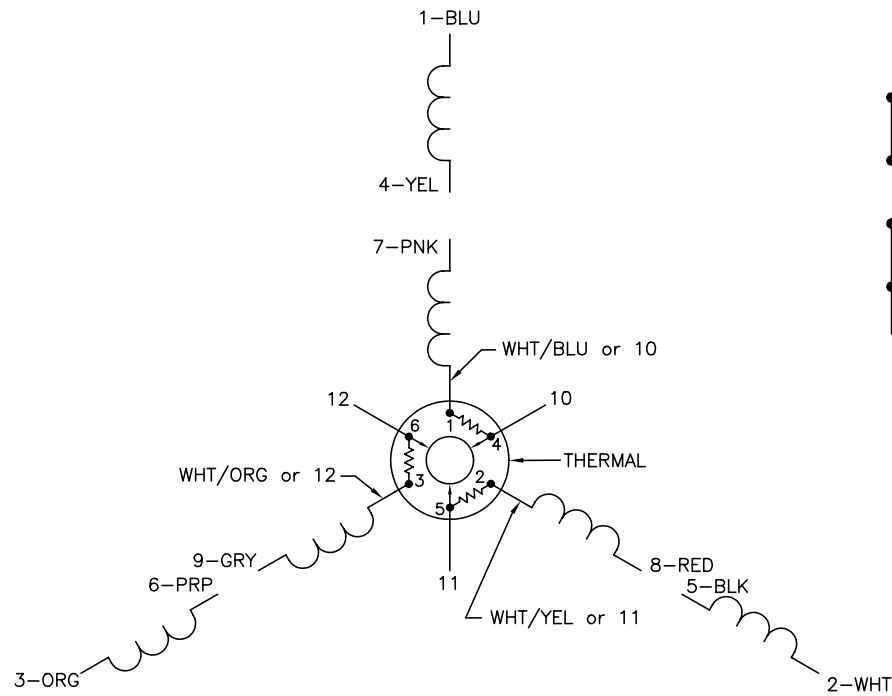
Performance Graph at 460V, 60Hz, 0.25HP Typical performance - Not guaranteed values



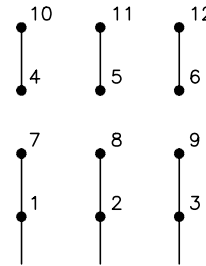




CD0007

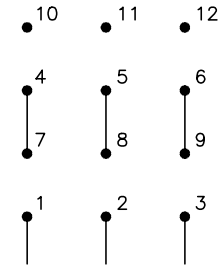


LOW VOLTAGE  
(2Y)



LINE

HIGH VOLTAGE  
(1Y)



LINE

NOTES:

1. INTERCHANGE ANY TWO LINE LEADS TO REVERSE ROTATION.
2. ACTUAL NUMBER OF INTERNAL PARALLEL CIRCUITS MAY VARY.
3. LEAD COLORS ARE OPTIONAL. LEADS MUST ALWAYS BE NUMBERED AS SHOWN.

REV. DESC: ADDED "CK" PLANT CODE			
REV. LTR: E	BY: EAH	REVISED: 05/06/99 17:1	TDR: 0181040
L00000		FILE: AAA00008370	MDL: -
		MTL: -	

**BALDOR ELECTRIC Co.**

3PH, DV, THERMAL, 12 LEADS

CD0007

Marketing maintained PDF of MN416:

<http://www.baldor.com/support/Literature/Load.ashx/MN416?ManNumber=MN416>