

BALDOR® • RELIANCE 

Product Information Packet

VXM141522T

1.5//1HP,3500//2900RPM,3PH,60//50HZ,143T

| Part Detail | | | | | | | |
|-------------|----|-------------|------------|-------------|--------|---------------|------------|
| Revision: | - | Status: | PRD/A | Change #: | | Proprietary: | No |
| Type: | AC | Elec. Spec: | 35WGM760 | CD Diagram: | CD0005 | Mfg Plant: | |
| Mech. Spec: | | Layout: | 35LYE380 | Poles: | 02 | Created Date: | 03-02-2021 |
| Base: | | Eff. Date: | 03-04-2021 | Leads: | 9#18 | | |

| Specs | | | |
|---------------------------------|-----------------------|--------------------------------|---------------------------|
| Catalog Number: | VXM141522T | Duty Rating: | CONT |
| Enclosure: | XPFC | Electrically Isolated Bearing: | Not Electrically Isolated |
| Frame: | 143TC | Feedback Device: | NO FEEDBACK |
| Frame Material: | Steel | Heater Indicator: | No Heater |
| Output @ Frequency: | 1.500 HP @ 60 HZ | Insulation Class: | F |
| | 1.000 HP @ 50 HZ | Inverter Code: | Inverter Duty |
| Synchronous Speed @ Frequency: | 3600 RPM @ 60 HZ | IP Rating: | NONE |
| Voltage @ Frequency: | 190.0 V @ 50 HZ | KVA Code: | L |
| | 460.0 V @ 60 HZ | Lifting Lugs: | No Lifting Lugs |
| | 230.0 V @ 60 HZ | Locked Bearing Indicator: | Locked Bearing |
| | 380.0 V @ 50 HZ | Motor Lead Termination: | Flying Leads |
| XP Class and Group: | CLI GP D; CLII GP F,G | Motor Type: | 3520M |
| XP Division: | Division I | Mounting Arrangement: | F1 |
| Agency Approvals: | UR | Power Factor: | 85 |
| | CSA EEV | Product Family: | General Purpose |
| | CSA | Pulley Face Code: | C-Face |
| Auxillary Box: | No Auxillary Box | Rodent Screen: | None |
| Auxillary Box Lead Termination: | None | Shaft Ground Indicator: | No Shaft Grounding |

| | | | |
|-------------------------------------|-------------------------|------------------------------------|----------------------------|
| Base Indicator: | No Mounting | Shaft Rotation: | Reversible |
| Bearing Grease Type: | Polyrex EM (-20F +300F) | Speed Code: | Single Speed |
| Blower: | None | Motor Standards: | NEMA |
| Constant Torque Speed Range: | 6 | Starting Method: | Direct on line |
| Current @ Voltage: | 3.800 A @ 230.0 V | Thermal Device - Bearing: | None |
| | 3.400 A @ 190.0 V | Thermal Device - Winding: | Normally Closed Thermostat |
| | 1.900 A @ 460.0 V | Vibration Sensor Indicator: | No Vibration Sensor |
| | 1.700 A @ 380.0 V | Winding Thermal 1: | None |
| Design Code: | B | Winding Thermal 2: | None |
| Drip Cover: | No Drip Cover | XP Temp Code: | T3C |

| | | | | | | | | | |
|-------------------------------|------------------------|--|---------------|--------------|-------------------|-------|--|-----------------|------|
| Nameplate NP0887XPSLEV | | | | | | | | | |
| NO. | | | | | CC | 010A | | | |
| S/N | | | | | TEMP CODE | T3C | | | |
| SPEC. | 35-0000-1046 | | | | INV.TYPE | PWM | | | |
| CAT.NO. | VXM141522T | | | | C HP FR | 60 | | C HP TO | 90 |
| HP | 1.5//1 | | | | CT HZ FROM | 6 | | CT HZ TO | 60 |
| VOLTS | 230/460//190/380 | | | | VT HZ FROM | 6 | | VT HZ TO | 60 |
| AMPS | 3.8/1.9//3.4/1.7 | | | | MAG CUR | 1.8/9 | | | |
| RPM | 3500//2900 | | | | MX RPM | 5400 | | | |
| HZ | 60//50 | | PH | 3 | CL | F | | | |
| SER.F. | 1.00 | | DES | B | SL HZ | 1.7 | | NOM.EFF. | 84 |
| FRAME | 143TC | | RATING | 40C AMB-CONT | | | | WK2 | 0.06 |
| | NEMA MG-1 PART 5, IP54 | | | | | | | | |
| | 1.15 SF ON SINE WAVE | | | | | | | | |
| | | | | | | | | | |

| Parts List | | |
|---------------|--|----------|
| Part Number | Description | Quantity |
| SA391350 | SA 35-0000-1046 | 1.000 EA |
| RA381838 | RA 35-0000-1046 | 1.000 EA |
| LB1119N | WARNING LABEL | 1.000 EA |
| LC0145B01 | CONNECTION LABEL | 1.000 EA |
| PK3082 | STYROFOAM CRADLE | 1.000 EA |
| NP0887XPSLEV | SS XP INV UL CSA-EEV CC CL-I GP-D | 1.000 EA |
| 85XU0407S04 | 4X1/4 U DRIVE PIN STAINLESS | 2.000 EA |
| 85XU0407S04 | 4X1/4 U DRIVE PIN STAINLESS | 4.000 EA |
| MN416A01 | TAG-INSTAL-MAINT no wire (2100/bx) 4/22 | 1.000 EA |
| NP0018F | ALUM UL XP CONDUIT BOX NAMEPLATE | 1.000 EA |
| 35FH4005A01SP | IEC FH NO GREASER W/PRIMED | 1.000 EA |
| 51XW1032A06 | 10-32 X .38, TAPTITE II, HEX WSHR SLTD S | 3.000 EA |
| 34FN3002B01 | EXTERNAL FAN, PLASTIC, .637/.639 HUB W/ | 1.000 EA |
| 51XB0818A12 | 8-18X3/4 HXWSSLD SERTYB | 1.000 EA |
| MJ1000A02 | GREASE, MOBIL POLYREX EM - 124047 | 0.050 LB |
| HA3104A06 | THRUBOLT 5/16-18 X 8.50 OHIO ROD | 4.000 EA |
| XY3118A12 | 5/16-18 HEX NUT DIRECTIONAL SERRATION | 4.000 EA |
| 35EP3700A01SP | FR ENDPLATE, XPFC | 1.000 EA |
| HW5100A03 | WAVY WASHER (W1543-017) | 1.000 EA |
| 35EP3702A01SP | PU EP-205 BRG-35X-56C-143-5TC | 1.000 EA |
| 84XN1032J20 | SCREW, SOC 10-32 X 1 1/4"BMH4602 | 2.000 EA |
| HA3013A01 | 1/2-20X5/8 SPL.HX BOLT | 2.000 EA |
| HW3021C06 | 3/32 DI X .625 PIN (F/S) | 2.000 EA |
| 35CB3001A02SP | EXPL PROOF CONDUIT BOX, 3/4"PIPE TAP LEA | 1.000 EA |

| Parts List (continued) | | |
|-------------------------------|--|-----------------|
| Part Number | Description | Quantity |
| 11XW1032G06 | 10-32 X .38, TAPTITE II, HEX WSHR SLTD U | 1.000 EA |
| HW3001B01 | BRASS CUP WASHER, FOR #10 SCREW | 1.000 EA |
| 35CB3500A01SP | CONDUIT BOX LID, MACH | 1.000 EA |
| 51XN2520A16 | SCREW, HEX WS SLT, ZN, 1/4-20 X 1.00 | 4.000 EA |
| MG1500Y02 | WILKOPON PRIMER YELLOW | 0.022 GA |
| MG1025G29 | WILKOFASST, 789.229, DARK CHARCOAL GRAY | 0.022 GA |
| 36PA1000 | PKG GRP, PRINT PK1016A06 | 1.000 EA |
| HW2501D13 | KEY, 3/16 SQ X 1.375 | 1.000 EA |
| HA7000A01 | KEY RETAINER 7/8" DIA SHAFT | 1.000 EA |

AC Induction Motor Performance Data

Record # 73829

Typical performance - not guaranteed values

| Winding: 35WGM760-R091 | | Type: 3520M | | Enclosure: XPFC | |
|-------------------------------|------------------------|----------------------------|--|---------------------------|--|
| Nameplate Data | | | 460 V, 60 Hz: High Voltage, High Speed Connection | | |
| Rated Output (HP) | 1.5//1 | Full Load Torque | 2.23 LB-FT | | |
| Volts | 230/460//190/380 | Start Configuration | direct on line | | |
| Full Load Amps | 3.8/1.9//3.4/1.7 | Breakdown Torque | 9.38 LB-FT | | |
| R.P.M. | 3500//2900 | Pull-up Torque | 3.61 LB-FT | | |
| Hz | 60//50 Phase | 3 | Locked-rotor Torque | 7.35 LB-FT | |
| NEMA Design Code | B KVA Code | L | Starting Current | 17.9 A | |
| Service Factor (S.F.) | | 1 | No-load Current | 0.951 A | |
| NEMA Nom. Eff. | 84 Power Factor | 85 | Line-line Res. @ 25°C | 12.2 Ω | |
| Rating - Duty | 40C AMB-CONT | | Temp. Rise @ Rated Load | 46°C | |
| | | | Locked-rotor Power Factor | 60.1 | |
| | | | Rotor inertia | 0.0553 LB-FT ² | |

Load Characteristics 460 V, 60 Hz, 1.5 HP

| % of Rated Load | 25 | 50 | 75 | 100 | 125 | 150 |
|------------------------|-----------|-----------|-----------|------------|------------|------------|
| Power Factor | 50 | 70 | 81 | 87 | 90 | 91 |
| Efficiency | 61.4 | 74.1 | 78.3 | 80 | 80.3 | 79.3 |
| Speed | 3569 | 3545 | 3519 | 3491 | 3459 | 3425 |
| Line amperes | 1.08 | 1.32 | 1.63 | 2 | 2.41 | 2.9 |

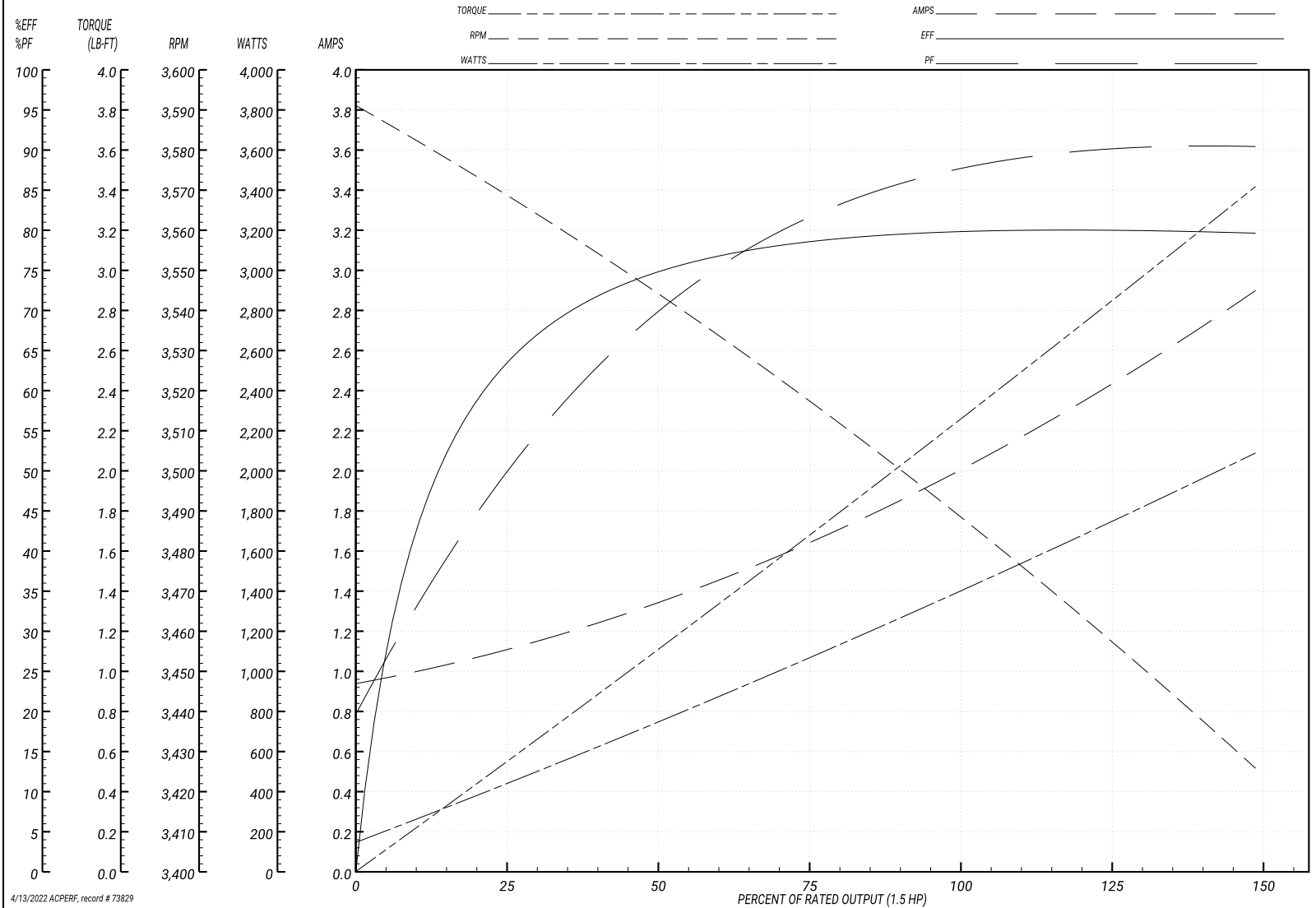
Performance Graph at 460V, 60Hz, 1.5HP Typical performance - Not guaranteed values

BALDOR ELECTRIC COMPANY

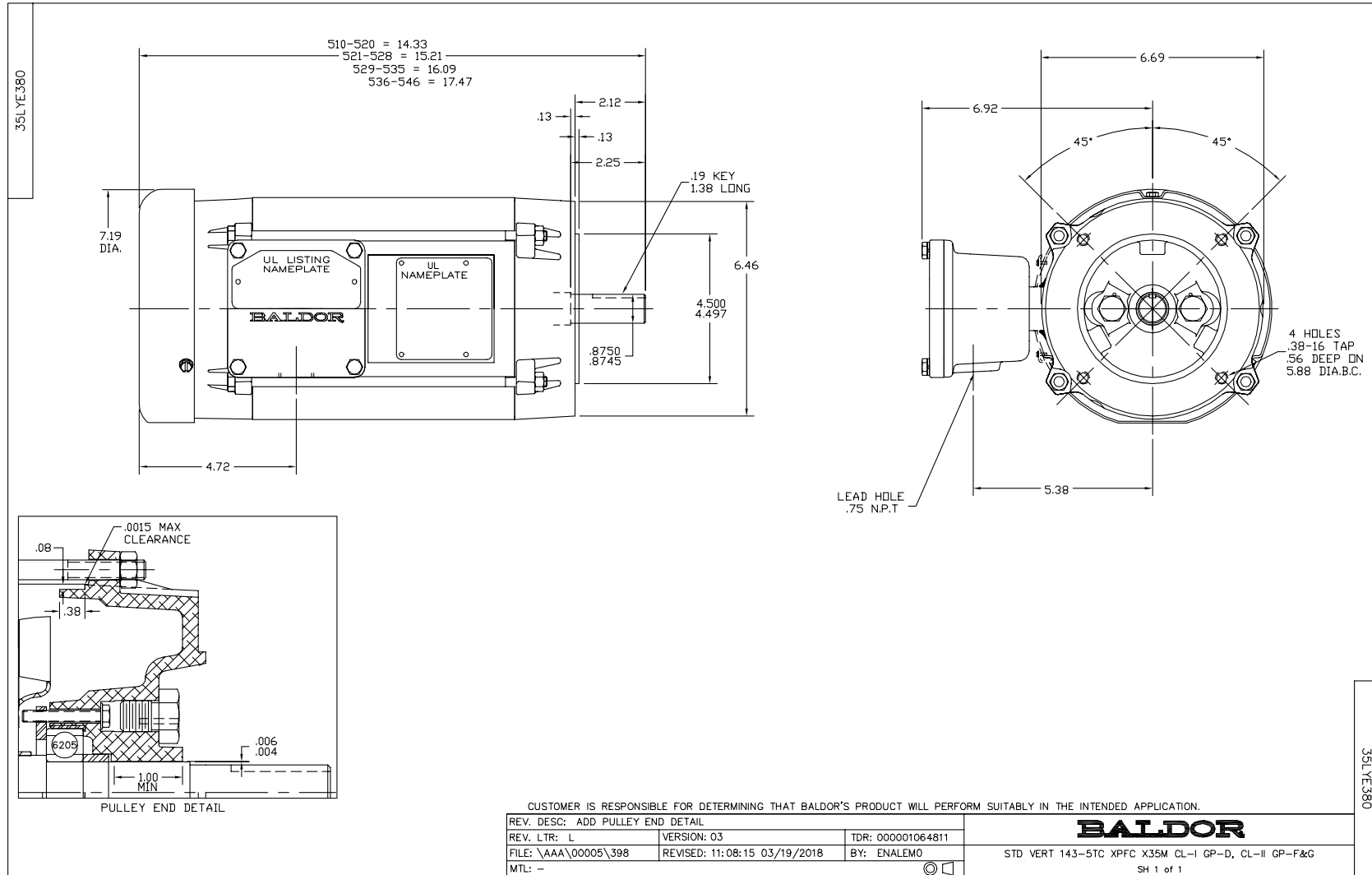
WINDING # 35WGM760

Typical performance - not guaranteed values.

1.5 HP 3 PH 60 HZ 3491 RPM 460 V 3520M
 TORQUES(LB-FT): PO=9.38 PU=3.61 LR=7.35 LRA=17.9



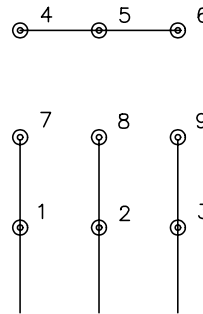
4/13/2022 ACPERF, record # 73829



CD0005

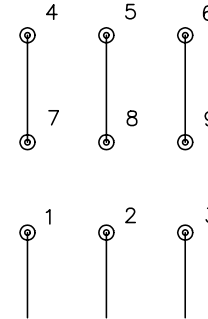


LOW VOLTAGE
(2Y)



LINE

HIGH VOLTAGE
(1Y)



LINE

NOTES:

1. INTERCHANGE ANY TWO LINE LEADS TO REVERSE ROTATION.
2. OPTIONAL THERMOSTATS ARE PROVIDED WHEN SPECIFIED.
3. ACTUAL NUMBER OF INTERNAL PARALLEL CIRCUITS MAY BE A MULTIPLE OF THOSE SHOWN ABOVE.
4. LEAD COLORS ARE OPTIONAL. LEADS MUST ALWAYS BE NUMBERED AS SHOWN.

| | | | |
|---|---------|-------------------------|--------------|
| REV. DESC: REVISE TO SHOW OPTIONAL COLORS | | | |
| REV. LTR: E | BY: JLP | REVISED: 01/19/99 10:15 | TDR: 0171435 |
| 90000 | | FILE: AAA00005140 | MDL: - |
| | | MTL: - | |

BALDOR ELECTRIC Co.

3PH, DV, 9 LEADS

CD0005

Marketing maintained PDF of MN416:

<http://www.baldor.com/support/Literature/Load.ashx/MN416?ManNumber=MN416>