

BALDOR® • RELIANCE 

Product Information Packet

VXM141562T

1.5//1HP,1165//970RPM,3PH,60//50HZ,145TC

Part Detail							
Revision:	-	Status:	PRD/A	Change #:		Proprietary:	No
Type:	AC	Elec. Spec:	36WGS916	CD Diagram:	CD0005	Mfg Plant:	
Mech. Spec:		Layout:	36LYT390	Poles:	06	Created Date:	03-11-2021
Base:		Eff. Date:	03-15-2021	Leads:	9#16		

Specs			
Catalog Number:	VXM141562T	Duty Rating:	CONT
Enclosure:	XPFC	Electrically Isolated Bearing:	Not Electrically Isolated
Frame:	145TC	Feedback Device:	NO FEEDBACK
Frame Material:	Steel	Heater Indicator:	No Heater
Output @ Frequency:	1.000 HP @ 50 HZ	Insulation Class:	B
	1.500 HP @ 60 HZ	Inverter Code:	Inverter Duty
Synchronous Speed @ Frequency:	1200 RPM @ 60 HZ	IP Rating:	NONE
Voltage @ Frequency:	230.0 V @ 60 HZ	KVA Code:	K
	190.0 V @ 50 HZ	Lifting Lugs:	No Lifting Lugs
	380.0 V @ 50 HZ	Locked Bearing Indicator:	Locked Bearing
	460.0 V @ 60 HZ	Motor Lead Termination:	Flying Leads
XP Class and Group:	CLI GP D; CLII GP F,G	Motor Type:	3632M
XP Division:	Division I	Mounting Arrangement:	F1
Agency Approvals:	UR	Power Factor:	67
	CSA EEV	Product Family:	General Purpose
	CSA	Pulley Face Code:	C-Face
Auxillary Box:	No Auxillary Box	Rodent Screen:	None
Auxillary Box Lead Termination:	None	RoHS Status:	ROHS NON-COMPLIANT

Base Indicator:	No Mounting	Shaft Ground Indicator:	No Shaft Grounding
Bearing Grease Type:	Polyrex EM (-20F +300F)	Shaft Rotation:	Reversible
Blower:	None	Speed Code:	Single Speed
Constant Torque Speed Range:	6	Motor Standards:	NEMA
Current @ Voltage:	4.800 A @ 230.0 V	Starting Method:	Direct on line
	4.200 A @ 190.0 V	Thermal Device - Bearing:	None
	2.400 A @ 460.0 V	Thermal Device - Winding:	None
	2.100 A @ 380.0 V	Vibration Sensor Indicator:	No Vibration Sensor
Design Code:	B	Winding Thermal 1:	None
Drip Cover:	No Drip Cover	Winding Thermal 2:	None
		XP Temp Code:	T2C

Nameplate NP0887XPSLEV									
NO.					CC	010A			
S/N					TEMP CODE	T2C			
SPEC.	36-0000-0481				INV.TYPE	PWM			
CAT.NO.	VXM141562T				C HP FR	60		C HP TO	90
HP	1.5//1				CT HZ FROM	6		CT HZ TO	60
VOLTS	230/460//190/380				VT HZ FROM	6		VT HZ TO	60
AMPS	4.8/2.4//4.2/2.1				MAG CUR	3/1.5			
RPM	1165//970				MX RPM	1800			
HZ	60//50	PH	3	CL	F	NOM.EFF.	87.5		
SER.F.	1.00		DES	B	SL HZ	1.8		WK2	0.301
FRAME	145TC		RATING	40C AMB-CONT					
NEMA MG-1 PART 5, IP54									
1.15 SF ON SINE WAVE									

Parts List		
Part Number	Description	Quantity
SA391728	SA 36-0000-0481	1.000 EA
RA382238	RA 36-0000-0481	1.000 EA
LB1119N	WARNING LABEL	1.000 EA
LC0145B01	CONNECTION LABEL	1.000 EA
PK3082	STYROFOAM CRADLE	1.000 EA
NP0887XPSLEV	SS XP INV UL CSA-EEV CC CL-I GP-D	1.000 EA
85XU0407S04	4X1/4 U DRIVE PIN STAINLESS	2.000 EA
85XU0407S04	4X1/4 U DRIVE PIN STAINLESS	4.000 EA
MN416A01	TAG-INSTAL-MAINT no wire (2100/bx) 4/22	1.000 EA
NP0018F	ALUM UL XP CONDUIT BOX NAMEPLATE	1.000 EA
36FH4009A02	FAN COVER FOR VM7042T,PRIMER	1.000 EA
51XW1032A06	10-32 X .38, TAPTITE II, HEX WSHR SLTD S	3.000 EA
36FN3000C01SP	EXFN, PLASTIC, 5.25 OD, .912 ID	1.000 EA
51XB1214A16	12-14X1.00 HXWSSLD SERTYB	1.000 EA
MJ1000A02	GREASE, MOBIL POLYREX EM - 124047	0.050 LB
HA3105A09	THRUBOLT 3/8-16 X 12.000	4.000 EA
36EP3700A02	FR ENDPLATE, MACH	1.000 EA
HW5100A05	WVY WSHR F/205 & 304 BRGS	1.000 EA
36EP1704A02	PU ENDPLATE, MACH	1.000 EA
84XN1032J20	SCREW, SOC 10-32 X 1 1/4"BMH4602	2.000 EA
HW4001A01	1/4 HX SOC PIPE PLG (F/S) ALLOY STEEL W/	2.000 EA
60XN1032A07	10-32 X .4375 TRUSS HEAD, TORX SERRATED	2.000 EA
35CB3001A02SP	EXPL PROOF CONDUIT BOX, 3/4"PIPE TAP LEA	1.000 EA
11XW1032G06	10-32 X .38, TAPTITE II, HEX WSHR SLTD U	1.000 EA

Parts List (continued)		
Part Number	Description	Quantity
HW3001B01	BRASS CUP WASHER, FOR #10 SCREW	1.000 EA
35CB3500A01SP	CONDUIT BOX LID, MACH	1.000 EA
51XN2520A16	SCREW, HEX WS SLT, ZN, 1/4-20 X 1.00	4.000 EA
MG1500Y02	WILKOPON PRIMER YELLOW	0.022 GA
MG1025G29	WILKOFASST, 789.229, DARK CHARCOAL GRAY	0.022 GA
G0PA1000	PKG GRP, PRINT PK1026A06	1.000 EA
HW2501D13	KEY, 3/16 SQ X 1.375	1.000 EA
HA7000A01	KEY RETAINER 7/8" DIA SHAFT	1.000 EA

AC Induction Motor Performance Data

Record # 73918

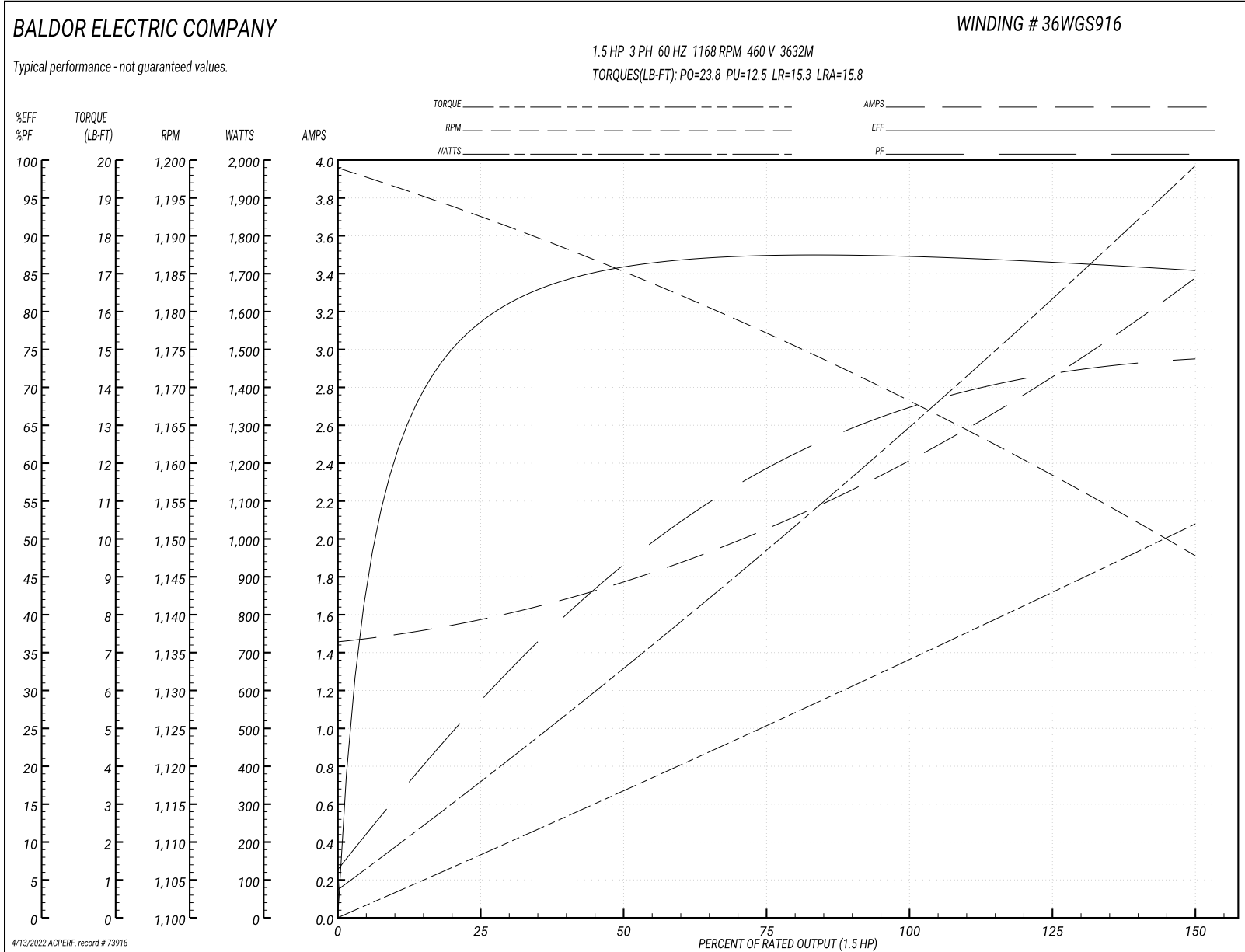
Typical performance - not guaranteed values

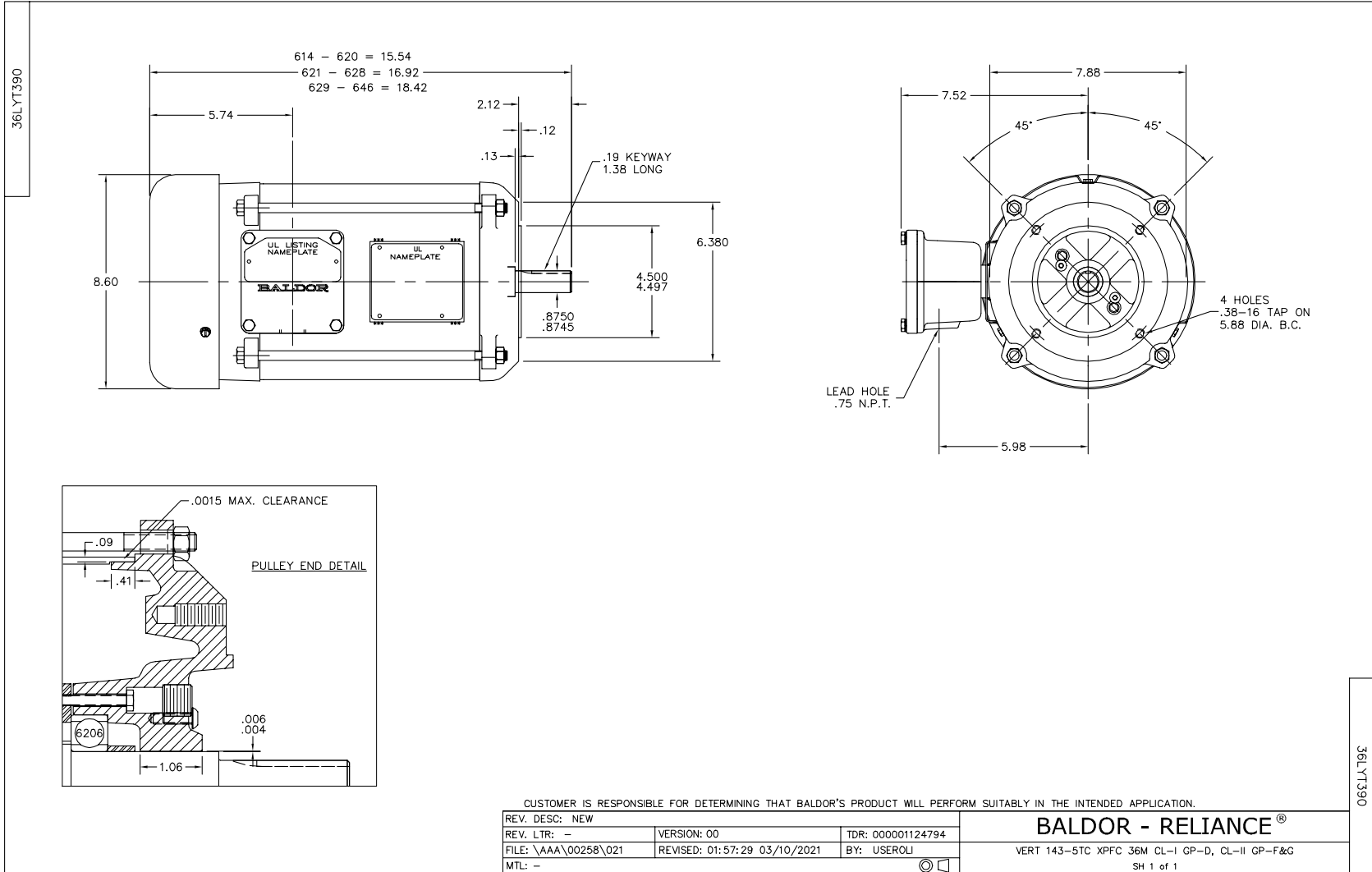
Winding: 36WGS916-R035		Type: 3632M		Enclosure: XPFC	
Nameplate Data			460 V, 60 Hz: High Voltage Connection		
Rated Output (HP)	1.5//1		Full Load Torque	6.86 LB-FT	
Volts	230/460//190/380		Start Configuration	direct on line	
Full Load Amps	4.8/2.4//4.2/2.1		Breakdown Torque	23.8 LB-FT	
R.P.M.	1165//970		Pull-up Torque	12.5 LB-FT	
Hz	60//50	Phase	3	Locked-rotor Torque	15.3 LB-FT
NEMA Design Code	B KVA Code		K	Starting Current	15.8 A
Service Factor (S.F.)			1	No-load Current	1.47 A
NEMA Nom. Eff.	87.5	Power Factor	67	Line-line Res. @ 25°C	7.12 Ω
Rating - Duty	40C AMB-CONT			Temp. Rise @ Rated Load	34°C
				Locked-rotor Power Factor	30.1
				Rotor inertia	0.301 LB-FT ²

Load Characteristics 460 V, 60 Hz, 1.5 HP

% of Rated Load	25	50	75	100	125	150
Power Factor	30	48	60	67	71	74
Efficiency	78.8	85.7	87.6	87.4	86.4	85.4
Speed	1192	1185	1177	1168	1158	1148
Line amperes	1.57	1.77	2.07	2.43	2.88	3.36

Performance Graph at 460V, 60Hz, 1.5HP Typical performance - Not guaranteed values





CD0005



LOW VOLTAGE
(2Y)



LINE

HIGH VOLTAGE
(1Y)



LINE

NOTES:

1. INTERCHANGE ANY TWO LINE LEADS TO REVERSE ROTATION.
2. OPTIONAL THERMOSTATS ARE PROVIDED WHEN SPECIFIED.
3. ACTUAL NUMBER OF INTERNAL PARALLEL CIRCUITS MAY BE A MULTIPLE OF THOSE SHOWN ABOVE.
4. LEAD COLORS ARE OPTIONAL. LEADS MUST ALWAYS BE NUMBERED AS SHOWN.

REV. DESC: REVISE TO SHOW OPTIONAL COLORS

REV. LTR: E BY: JLP

REVISED: 01/19/99 10:15

TDR: 0171435

90000

FILE: AAA00005140

MDL: -

MTL: -

BALDOR ELECTRIC Co.

3PH, DV, 9 LEADS

CD0005

Marketing maintained PDF of MN416:

<http://www.baldor.com/support/Literature/Load.ashx/MN416?ManNumber=MN416>