

BALDOR® • RELIANCE 

Product Information Packet

VXM14242T

2//1.5HP,1755//1455RPM,3PH,60//50HZ,145T

Part Detail							
Revision:	B	Status:	PRD/A	Change #:		Proprietary:	No
Type:	AC	Elec. Spec:	35WGA0038	CD Diagram:	CD0005	Mfg Plant:	
Mech. Spec:		Layout:	35LYE380	Poles:	04	Created Date:	04-23-2021
Base:		Eff. Date:	01-31-2022	Leads:	9#18		

Specs			
Catalog Number:	VXM14242T	Duty Rating:	CONT
Enclosure:	XPFC	Electrically Isolated Bearing:	Not Electrically Isolated
Frame:	145TC	Feedback Device:	NO FEEDBACK
Frame Material:	Steel	Heater Indicator:	No Heater
Output @ Frequency:	2.000 HP @ 60 HZ	Insulation Class:	F
	1.500 HP @ 50 HZ	Inverter Code:	Inverter Duty
Synchronous Speed @ Frequency:	1800 RPM @ 60 HZ	IP Rating:	NONE
Voltage @ Frequency:	190.0 V @ 50 HZ	KVA Code:	L
	460.0 V @ 60 HZ	Lifting Lugs:	No Lifting Lugs
	230.0 V @ 60 HZ	Locked Bearing Indicator:	Locked Bearing
	380.0 V @ 50 HZ	Motor Lead Termination:	Flying Leads
XP Class and Group:	CLI GP D; CLII GP F,G	Motor Type:	3540M
XP Division:	Division I	Mounting Arrangement:	F1
Agency Approvals:	UR	Power Factor:	79
	CSA EEV	Product Family:	General Purpose
	CSA	Pulley Face Code:	C-Face
Auxillary Box:	No Auxillary Box	Rodent Screen:	None
Auxillary Box Lead Termination:	None	Shaft Ground Indicator:	No Shaft Grounding

Base Indicator:	No Mounting	Shaft Rotation:	Reversible
Bearing Grease Type:	Polyrex EM (-20F +300F)	Speed Code:	Single Speed
Blower:	None	Motor Standards:	NEMA
Constant Torque Speed Range:	6	Starting Method:	Direct on line
Current @ Voltage:	5.400 A @ 230.0 V	Thermal Device - Bearing:	None
	5.000 A @ 190.0 V	Thermal Device - Winding:	Normally Closed Thermostat
	2.700 A @ 460.0 V	Vibration Sensor Indicator:	No Vibration Sensor
	2.500 A @ 380.0 V	Winding Thermal 1:	None
Design Code:	B	Winding Thermal 2:	None
Drip Cover:	No Drip Cover	XP Temp Code:	T3C

Nameplate NP0887XPSLEV										
NO.						CC	010A			
S/N						TEMP CODE	T3C			
SPEC.	35-0000-1039					INV.TYPE	PWM			
CAT.NO.	VXM14242T					C HP FR	60		C HP TO	90
HP	2//1.5					CT HZ FROM	6		CT HZ TO	60
VOLTS	230/460//190/380					VT HZ FROM	6		VT HZ TO	60
AMPS	5.4/2.7//5.0/2.5					MAG CUR	1.4			
RPM	1755//1455					MX RPM	2700			
HZ	60//50		PH	3		CL	F			
SER.F.	1.00		DES	B		SL HZ	1.3		NOM.EFF.	88.5
FRAME	145TC		RATING	40C AMB-CONT		WK2	0.236			
NEMA MG-1 PART 5, IP54										
1.15 SF ON SINE WAVE										

Parts List		
Part Number	Description	Quantity
SA392948	SA 35-0000-1039	1.000 EA
RA383554	RA 35-0000-1039	1.000 EA
LB1119N	WARNING LABEL	1.000 EA
LC0145B01	CONNECTION LABEL	1.000 EA
PK3082	STYROFOAM CRADLE	1.000 EA
NP0887XPSLEV	SS XP INV UL CSA-EEV CC CL-I GP-D	1.000 EA
85XU0407S04	4X1/4 U DRIVE PIN STAINLESS	2.000 EA
85XU0407S04	4X1/4 U DRIVE PIN STAINLESS	4.000 EA
MN416A01	TAG-INSTAL-MAINT no wire (2100/bx) 4/22	1.000 EA
NP0018F	ALUM UL XP CONDUIT BOX NAMEPLATE	1.000 EA
35FH4005A01SP	IEC FH NO GREASER W/PRIMED	1.000 EA
51XW1032A06	10-32 X .38, TAPTITE II, HEX WSHR SLTD S	3.000 EA
35FN3002A05SP	EXFN, PLASTIC, 6.376 OD, .638 ID	1.000 EA
51XB1214A16	12-14X1.00 HXWSSLD SERTYB	1.000 EA
MJ1000A02	GREASE, MOBIL POLYREX EM - 124047	0.050 LB
HA3104A34	THRUBOLT .31-18 X 11.625	4.000 EA
XY3118A12	5/16-18 HEX NUT DIRECTIONAL SERRATION	4.000 EA
35EP3700A01SP	FR ENDPLATE, XPFC	1.000 EA
HW5100A03	WAVY WASHER (W1543-017)	1.000 EA
35EP3702A01SP	PU EP-205 BRG-35X-56C-143-5TC	1.000 EA
84XN1032J20	SCREW, SOC 10-32 X 1 1/4"BMH4602	2.000 EA
HA3013A01	1/2-20X5/8 SPL.HX BOLT	2.000 EA
HW3021C06	3/32 DI X .625 PIN (F/S)	2.000 EA
35CB3001A02SP	EXPL PROOF CONDUIT BOX, 3/4"PIPE TAP LEA	1.000 EA

Parts List (continued)		
Part Number	Description	Quantity
11XW1032G06	10-32 X .38, TAPTITE II, HEX WSHR SLTD U	1.000 EA
HW3001B01	BRASS CUP WASHER, FOR #10 SCREW	1.000 EA
35CB3500A01SP	CONDUIT BOX LID, MACH	1.000 EA
51XN2520A16	SCREW, HEX WS SLT, ZN, 1/4-20 X 1.00	4.000 EA
MG1500Y02	WILKOPON PRIMER YELLOW	0.022 GA
MG1025G29	WILKOFASST, 789.229, DARK CHARCOAL GRAY	0.022 GA
36PA1001	PKG GRP, PRINT PK1017A06	1.000 EA
HW2501D13	KEY, 3/16 SQ X 1.375	1.000 EA
HA7000A01	KEY RETAINER 7/8" DIA SHAFT	1.000 EA

AC Induction Motor Performance Data

Record # 88083

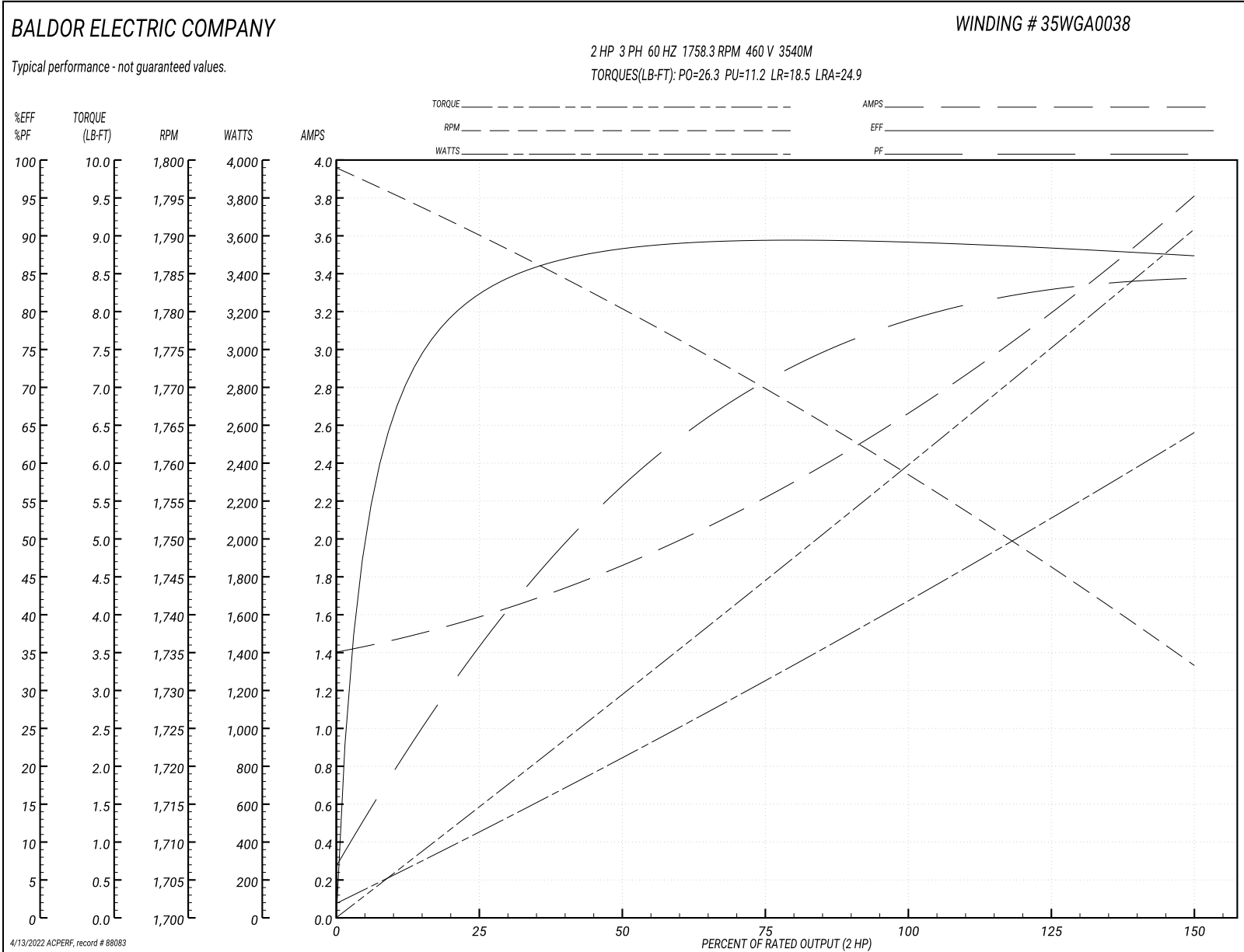
Typical performance - not guaranteed values

Winding: 35WGA0038-R001			Type: 3540M			Enclosure: XPFC		
Nameplate Data				460 V, 60 Hz: High Voltage Connection				
Rated Output (HP)	2//1.5		Full Load Torque	5.993 LB-FT				
Volts	230/460//190/380		Start Configuration	direct on line				
Full Load Amps	5.4/2.7//5.0/2.50		Breakdown Torque	26.3 LB-FT				
R.P.M.	1755//1455		Pull-up Torque	11.2 LB-FT				
Hz	60 Phase	3	Locked-rotor Torque	18.5 LB-FT				
NEMA Design Code	B KVA Code	L	Starting Current	24.9 A				
Service Factor (S.F.)	1.15		No-load Current	1.43 A				
NEMA Nom. Eff.	88.5 Power Factor	79	Line-line Res. @ 25°C	6.6978 Ω				
Rating - Duty	40C AMB-CONT		Temp. Rise @ Rated Load	48°C				
S.F. Amps			Temp. Rise @ S.F. Load	58°C				
			Locked-rotor Power Factor	45.2				
			Rotor inertia	0.236 lb-ft ²				

Load Characteristics 460 V, 60 Hz, 2 HP

% of Rated Load	25	50	75	100	125	150	S.F.
Power Factor	37	58	71	78	82	85	80
Efficiency	82.2	88.1	89.4	89.2	88.4	87.2	88.7
Speed	1790	1780.1	1769.7	1758.3	1746.4	1733.2	1751
Line amperes	1.56	1.84	2.23	2.7	3.21	3.79	3.01

Performance Graph at 460V, 60Hz, 2.0HP Typical performance - Not guaranteed values



AC Induction Motor Performance Data

Record # 88086

Typical performance - not guaranteed values

Winding: 35WGA0038-R001		Type: 3540M		Enclosure: XPFC	
Nameplate Data			380 V, 50 Hz: High Voltage Connection		
Rated Output (HP)	2//1.5		Full Load Torque	5.41 LB-FT	
Volts	230/460//190/380		Start Configuration	direct on line	
Full Load Amps	5.4/2.7//5.0/2.50		Breakdown Torque	24.66 LB-FT	
R.P.M.	1755//1455		Pull-up Torque	11.4 LB-FT	
Hz	60 Phase	3	Locked-rotor Torque	18.82 LB-FT	
NEMA Design Code	B KVA Code	L	Starting Current	23.82 A	
Service Factor (S.F.)	1		No-load Current	1.42 A	
NEMA Nom. Eff.	88.5 Power Factor	79	Line-line Res. @ 25°C	6.62 Ω	
Rating - Duty	40C AMB-CONT		Temp. Rise @ Rated Load	43°C	
			Locked-rotor Power Factor	50.4	
			Rotor inertia	0.236 lb-ft ²	

Load Characteristics 380 V, 50 Hz, 1.5 HP

% of Rated Load	25	50	75	100	125	150
Power Factor	35	56	69	77	82	85
Efficiency	80.1	86.7	88.2	88.2	87.3	86
Speed	1491	1482	1472	1462	1451	1439
Line amperes	1.53	1.76	2.11	2.52	2.98	3.5

Performance Graph at 380V, 50Hz, 1.5HP Typical performance - Not guaranteed values

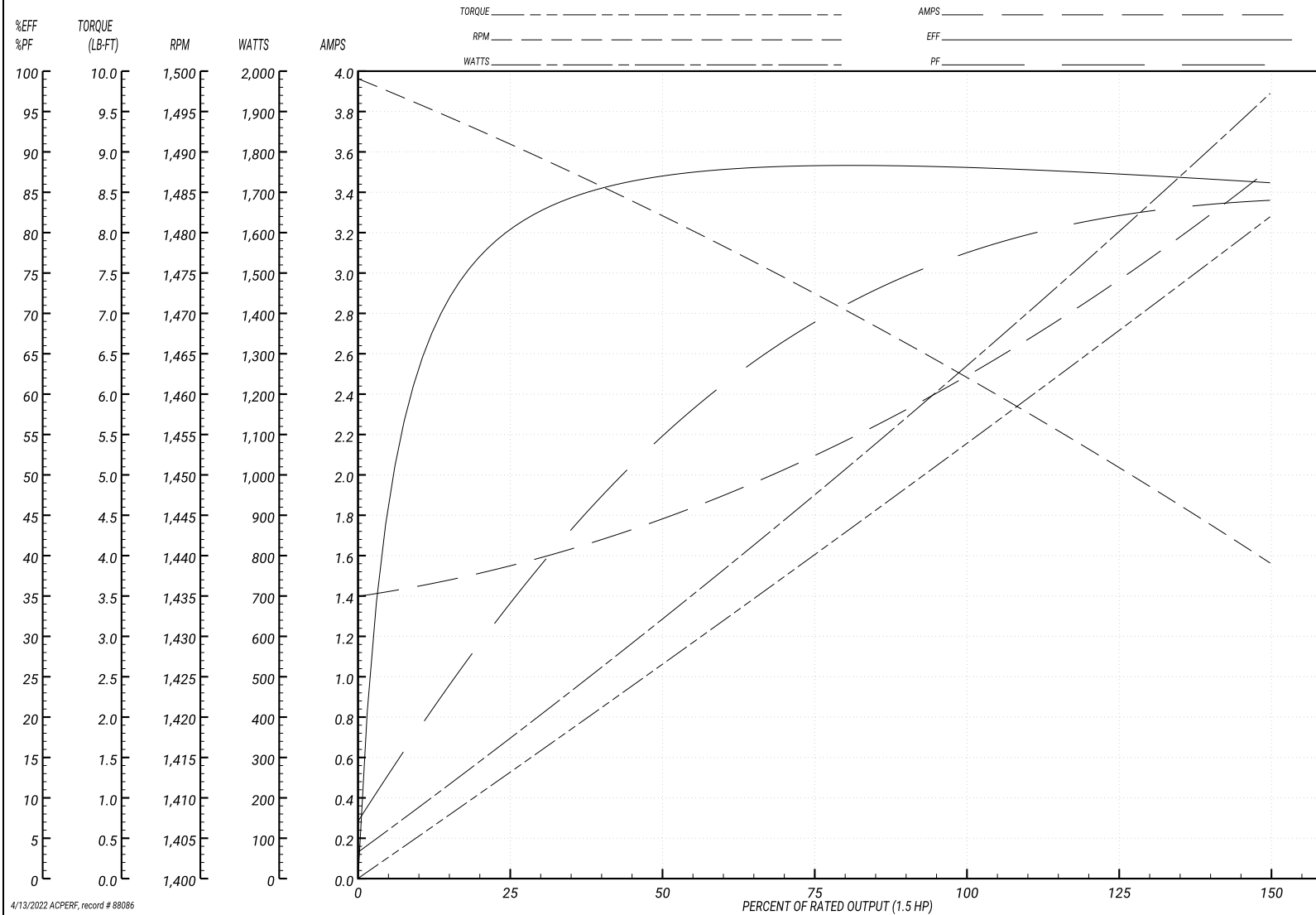
BALDOR ELECTRIC COMPANY

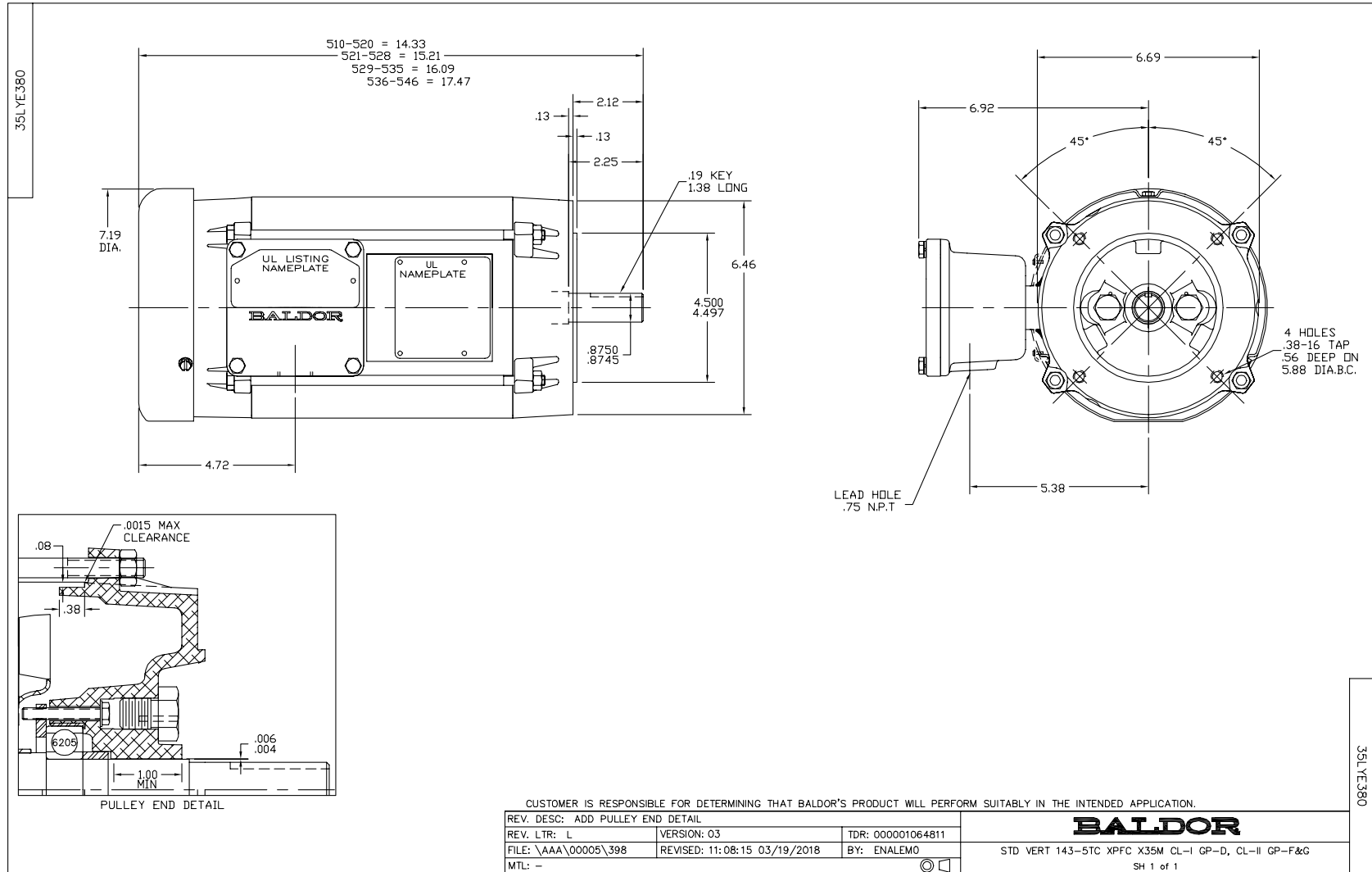
WINDING # 35WGA0038

Typical performance - not guaranteed values.

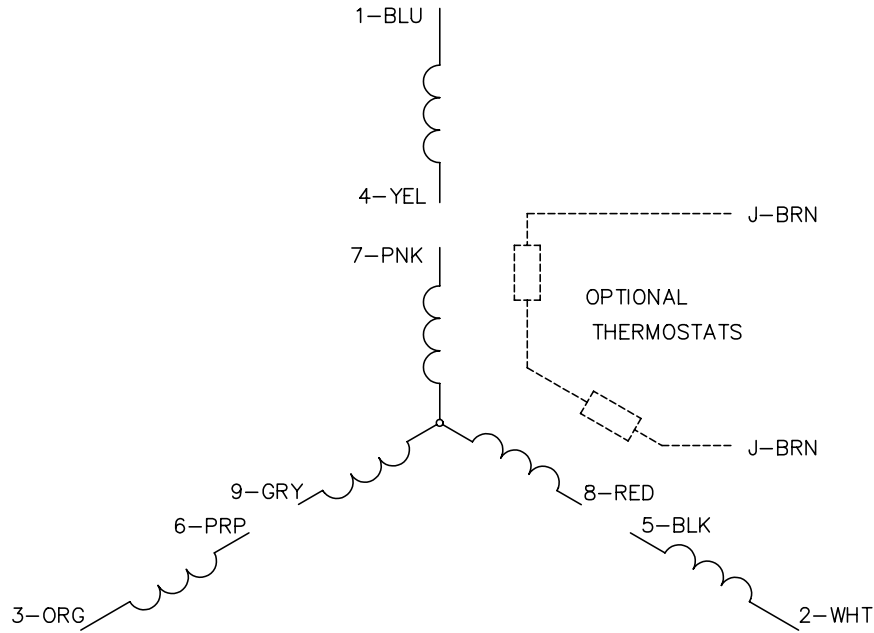
1.5 HP 3 PH 50 HZ 1462 RPM 380 V 3540M

TORQUES(LB-FT): PO=24.66 PU=11.4 LR=18.82 LRA=23.82

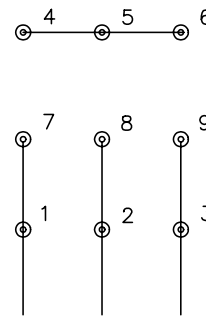




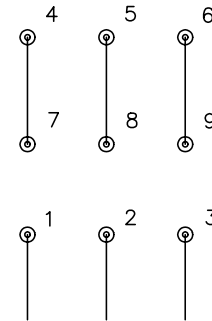
CD0005



LOW VOLTAGE
(2Y)



HIGH VOLTAGE
(1Y)



NOTES:

1. INTERCHANGE ANY TWO LINE LEADS TO REVERSE ROTATION.
2. OPTIONAL THERMOSTATS ARE PROVIDED WHEN SPECIFIED.
3. ACTUAL NUMBER OF INTERNAL PARALLEL CIRCUITS MAY BE A MULTIPLE OF THOSE SHOWN ABOVE.
4. LEAD COLORS ARE OPTIONAL. LEADS MUST ALWAYS BE NUMBERED AS SHOWN.

REV. DESC: REVISE TO SHOW OPTIONAL COLORS			
REV. LTR: E	BY: JLP	REVISED: 01/19/99 10:15	TDR: 0171435
9000D		FILE: AAA00005140	MDL: -
		MTL: -	

BALDOR ELECTRIC Co.

3PH, DV, 9 LEADS

CD0005

Marketing maintained PDF of MN416:

<http://www.baldor.com/support/Literature/Load.ashx/MN416?ManNumber=MN416>