

BALDOR® • RELIANCE 

Product Information Packet

VXM18342T

3//2HP,1760//1460RPM,3PH,60//50HZ,182TC

Part Detail							
Revision:	-	Status:	PRD/A	Change #:		Proprietary:	No
Type:	AC	Elec. Spec:	36WGS266	CD Diagram:	CD0005	Mfg Plant:	
Mech. Spec:		Layout:	36LYQ330	Poles:	04	Created Date:	03-02-2021
Base:		Eff. Date:	03-04-2021	Leads:	9#16		

Specs			
Catalog Number:	VXM18342T	Drip Cover:	No Drip Cover
Enclosure:	XPFC	Duty Rating:	CONT
Frame:	182TC	Electrically Isolated Bearing:	Not Electrically Isolated
Frame Material:	Steel	Feedback Device:	NO FEEDBACK
Output @ Frequency:	3.000 HP @ 60 HZ	Heater Indicator:	No Heater
	2.000 HP @ 50 HZ	Insulation Class:	F
Synchronous Speed @ Frequency:	1800 RPM @ 60 HZ	Inverter Code:	Inverter Duty
Voltage @ Frequency:	190.0 V @ 50 HZ	IP Rating:	NONE
	230.0 V @ 60 HZ	KVA Code:	K
	380.0 V @ 50 HZ	Lifting Lugs:	No Lifting Lugs
	460.0 V @ 60 HZ	Locked Bearing Indicator:	Locked Bearing
XP Class and Group:	CLI GP D; CLII GP F,G	Motor Lead Termination:	Flying Leads
XP Division:	Division I	Motor Type:	3632M
Agency Approvals:	UR	Mounting Arrangement:	F1
	CSA EEV	Power Factor:	75
	CSA	Product Family:	General Purpose
Auxillary Box:	No Auxillary Box	Pulley Face Code:	C-Face
Auxillary Box Lead Termination:	None	Rodent Screen:	None

Base Indicator:	No Mounting	Shaft Ground Indicator:	No Shaft Grounding
Bearing Grease Type:	Polyrex EM (-20F +300F)	Shaft Rotation:	Reversible
Blower:	None	Speed Code:	Single Speed
Constant Torque Speed Range:	6	Motor Standards:	NEMA
Current @ Voltage:	9.000 A @ 208.0 V	Starting Method:	Direct on line
	8.400 A @ 230.0 V	Thermal Device - Bearing:	None
	7.200 A @ 190.0 V	Thermal Device - Winding:	Normally Closed Thermostat
	4.200 A @ 460.0 V	Vibration Sensor Indicator:	No Vibration Sensor
	3.600 A @ 380.0 V	Winding Thermal 1:	None
Design Code:	B	Winding Thermal 2:	None
		XP Temp Code:	T3C

Nameplate NP0887XPSLEV									
NO.					CC	010A			
S/N					TEMP CODE	T3C			
SPEC.	36-0000-0476				INV.TYPE	PWM			
CAT.NO.	VXM18342T				C HP FR	60		C HP TO	90
HP	3//2				CT HZ FROM	6		CT HZ TO	60
VOLTS	230/460//190/380				VT HZ FROM	6		VT HZ TO	60
AMPS	8.4/4.2//7.2/3.6				MAG CUR	4.6/2.3			
RPM	1760//1460				MX RPM	2700			
HZ	60//50		PH	3	CL	F			
SER.F.	1.00		DES	B	SL HZ	1.4		NOM.EFF.	89.5
FRAME	182TC		RATING	40C AMB-CONT				WK2	0.3
	NEMA MG-1 PART 5, IP54								
	1.15 SF ON SINE WAVE								

Parts List		
Part Number	Description	Quantity
SA391349	SA 36-0000-0476	1.000 EA
RA381837	RA 36-0000-0476	1.000 EA
LB1119N	WARNING LABEL	1.000 EA
LC0145B01	CONNECTION LABEL	1.000 EA
PK3082	STYROFOAM CRADLE	1.000 EA
NP0887XPSLEV	SS XP INV UL CSA-EEV CC CL-I GP-D	1.000 EA
85XU0407S04	4X1/4 U DRIVE PIN STAINLESS	2.000 EA
85XU0407S04	4X1/4 U DRIVE PIN STAINLESS	4.000 EA
MN416A01	TAG-INSTAL-MAINT no wire (2100/bx) 4/22	1.000 EA
NP0018F	ALUM UL XP CONDUIT BOX NAMEPLATE	1.000 EA
36FH4009A02	FAN COVER FOR VM7042T,PRIMER	1.000 EA
51XW1032A06	10-32 X .38, TAPTITE II, HEX WSHR SLTD S	3.000 EA
36FN3000C01SP	EXFN, PLASTIC, 5.25 OD, .912 ID	1.000 EA
51XB1214A16	12-14X1.00 HXWSSLD SERTYB	1.000 EA
MJ1000A02	GREASE, MOBIL POLYREX EM - 124047	0.050 LB
HA3105A06	THRUBOLT- 3/8-16 X 10.500 X	4.000 EA
36EP3700A01	FR ENDPLATE, MACH	1.000 EA
HW5100A05	WVY WSHR F/205 & 304 BRGS	1.000 EA
HW4500A19	1/4-28X1/4 SLOTTED PLUG F/S	2.000 EA
36EP1703A01	PU ENDPLATE, MACH	1.000 EA
84XN1032J20	SCREW, SOC 10-32 X 1 1/4"BMH4602	2.000 EA
HW4001A01	1/4 HX SOC PIPE PLG (F/S) ALLOY STEEL W/	2.000 EA
60XN1032A07	10-32 X .4375 TRUSS HEAD, TORX SERRATED	2.000 EA
HW3022E05	.125 DIA X .500 ROLLED SPRING PIN	1.000 EA

Parts List (continued)		
Part Number	Description	Quantity
35CB3001A02SP	EXPL PROOF CONDUIT BOX, 3/4"PIPE TAP LEA	1.000 EA
11XW1032G06	10-32 X .38, TAPTITE II, HEX WSHR SLTD U	1.000 EA
HW3001B01	BRASS CUP WASHER, FOR #10 SCREW	1.000 EA
35CB3500A01SP	CONDUIT BOX LID, MACH	1.000 EA
51XN2520A16	SCREW, HEX WS SLT, ZN, 1/4-20 X 1.00	4.000 EA
MG1500Y02	WILKOPON PRIMER YELLOW	0.022 GA
MG1025G29	WILKOFASST, 789.229, DARK CHARCOAL GRAY	0.022 GA
G0PA1000	PKG GRP, PRINT PK1026A06	1.000 EA
HW2501E19	STD SQUARE KEY .25 SQUARE X 2.125 LONG	1.000 EA
HA7000A02	KEY RETAINER RING, 1 1/8 DIA, 1 3/8 DIA	1.000 EA

AC Induction Motor Performance Data

Record # 76180

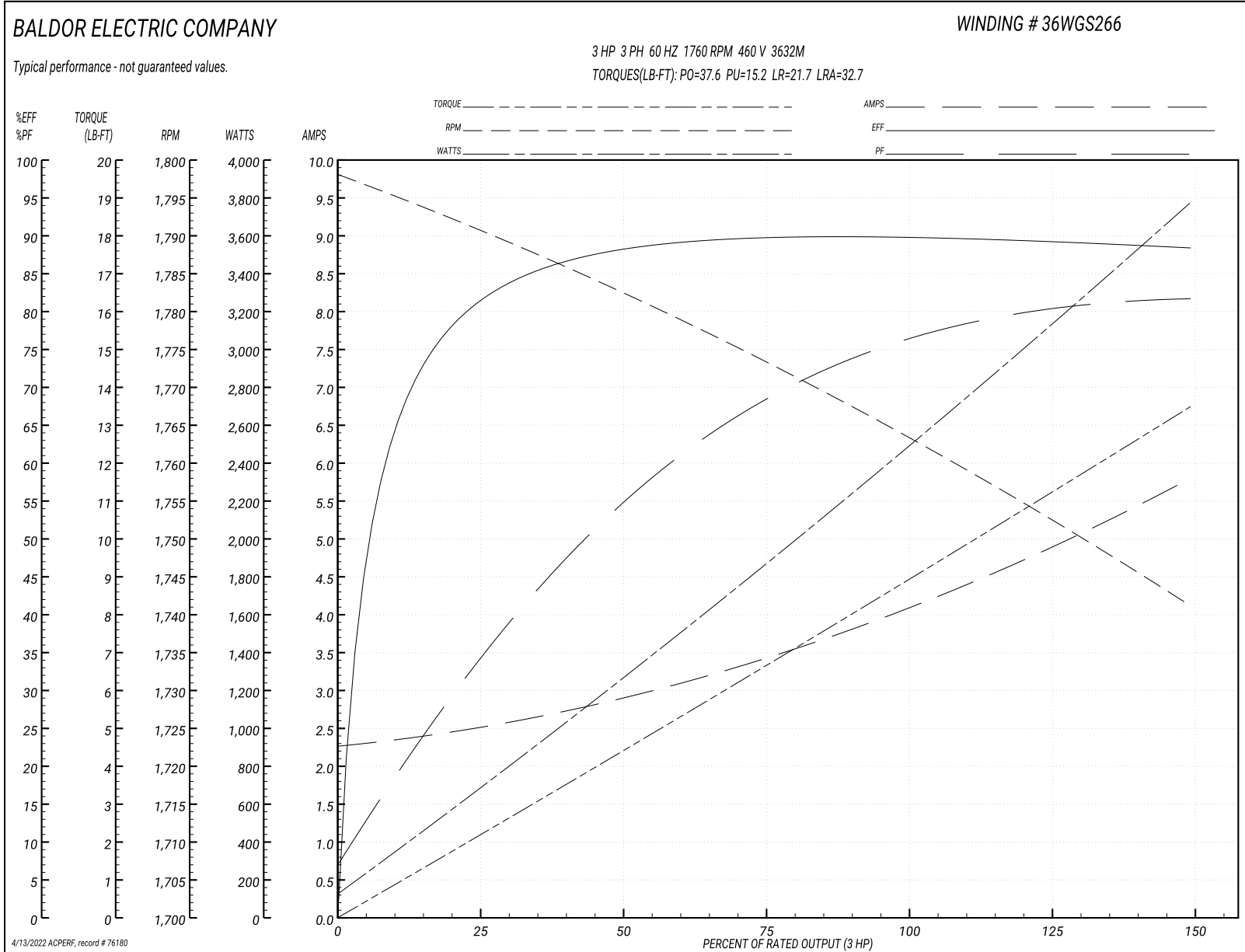
Typical performance - not guaranteed values

Winding: 36WGS266-R015		Type: 3632M		Enclosure: XPFC	
Nameplate Data			460 V, 60 Hz: High Voltage Connection		
Rated Output (HP)	3	Full Load Torque	8.8 LB-FT		
Volts	230/460	Start Configuration	direct on line		
Full Load Amps	8.4/4.2	Breakdown Torque	37.6 LB-FT		
R.P.M.	1760	Pull-up Torque	15.2 LB-FT		
Hz	60 Phase	3	Locked-rotor Torque	21.7 LB-FT	
NEMA Design Code	B KVA Code	K	Starting Current	32.7 A	
Service Factor (S.F.)		1	No-load Current	2.3 A	
NEMA Nom. Eff.	89.5 Power Factor	75	Line-line Res. @ 25°C	3.81 Ω	
Rating - Duty	40C AMB-CONT		Temp. Rise @ Rated Load	44°C	
			Locked-rotor Power Factor	42.2	
			Rotor inertia	0.298 LB-FT ²	

Load Characteristics 460 V, 60 Hz, 3 HP

% of Rated Load	25	50	75	100	125	150
Power Factor	35	55	68	75	80	82
Efficiency	81	87.7	89.6	89.8	89.6	88.1
Speed	1791	1783	1773	1764	1753	1741
Line amperes	2.47	2.85	3.43	4.09	4.89	5.78

Performance Graph at 460V, 60Hz, 3.0HP Typical performance - Not guaranteed values



AC Induction Motor Performance Data

Record # 86692

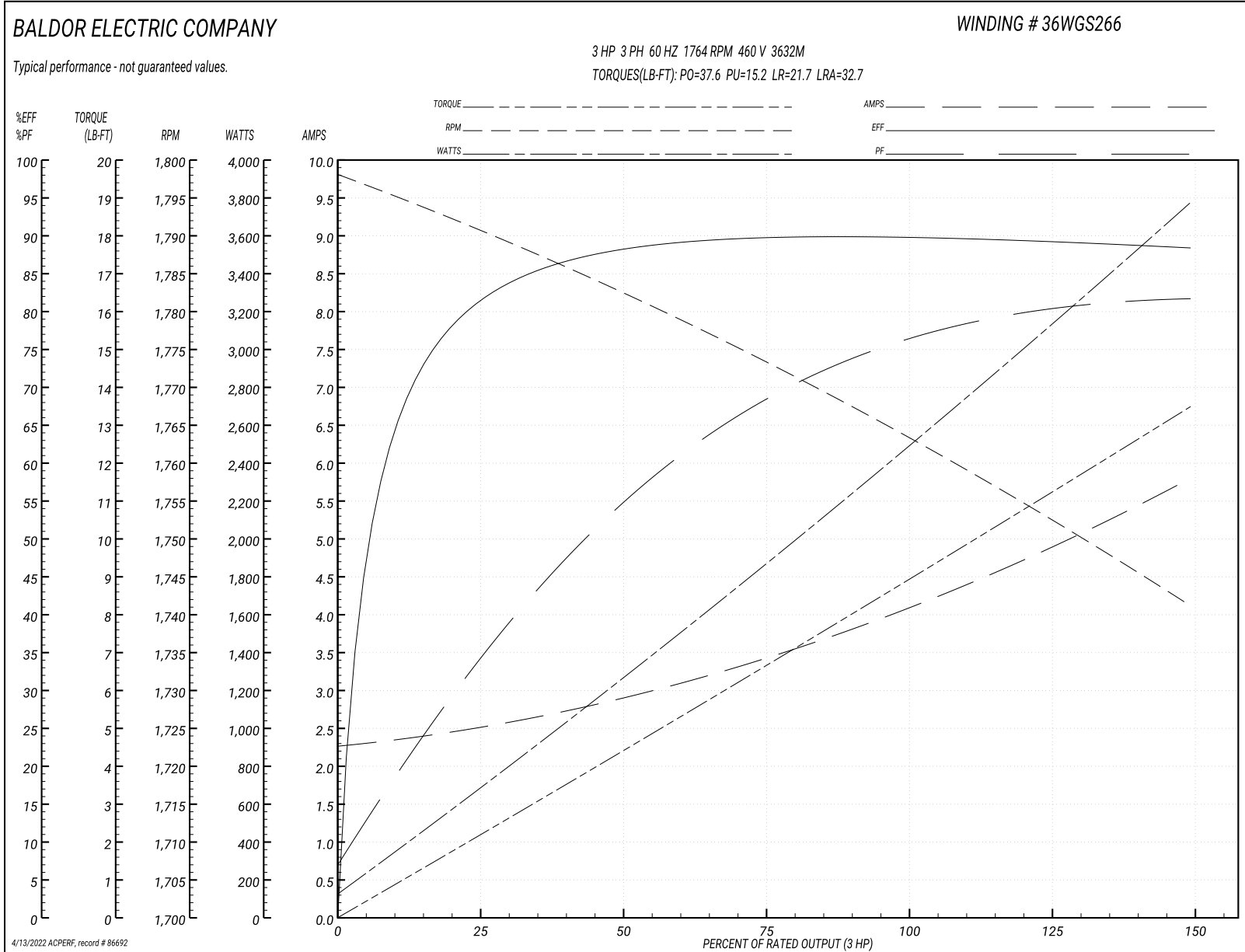
Typical performance - not guaranteed values

Winding: 36WGS266-R004		Type: 3632M		Enclosure: TEFC	
Nameplate Data			460 V, 60 Hz: High Voltage Connection		
Rated Output (HP)	3//2		Full Load Torque	8.8 LB-FT	
Volts	230/460//190/380		Start Configuration	direct on line	
Full Load Amps	8.4/4.2//7.2/3.6		Breakdown Torque	37.6 LB-FT	
R.P.M.	1760//1460		Pull-up Torque	15.2 LB-FT	
Hz	60//50	Phase	3	Locked-rotor Torque	21.7 LB-FT
NEMA Design Code	B	KVA Code	K	Starting Current	32.7 A
Service Factor (S.F.)	1		No-load Current	2.3 A	
NEMA Nom. Eff.	89.5	Power Factor	75	Line-line Res. @ 25°C	3.81 Ω
Rating - Duty	40C AMB-CONT		Temp. Rise @ Rated Load	44°C	
			Locked-rotor Power Factor	42.2	
			Rotor inertia	0.298 lb-ft ²	

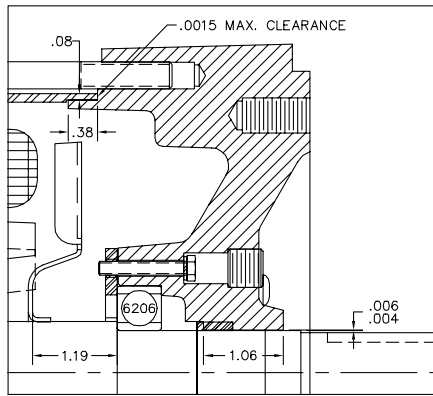
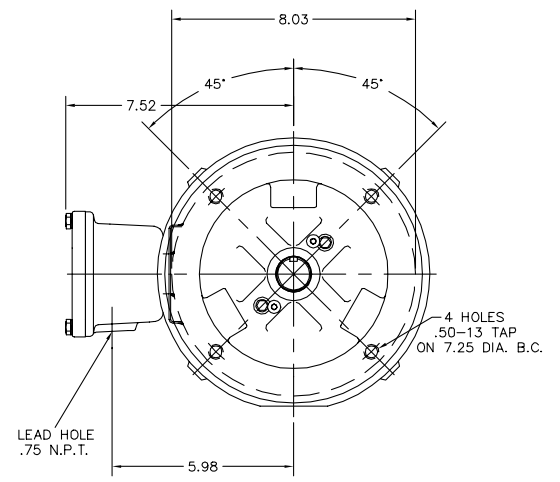
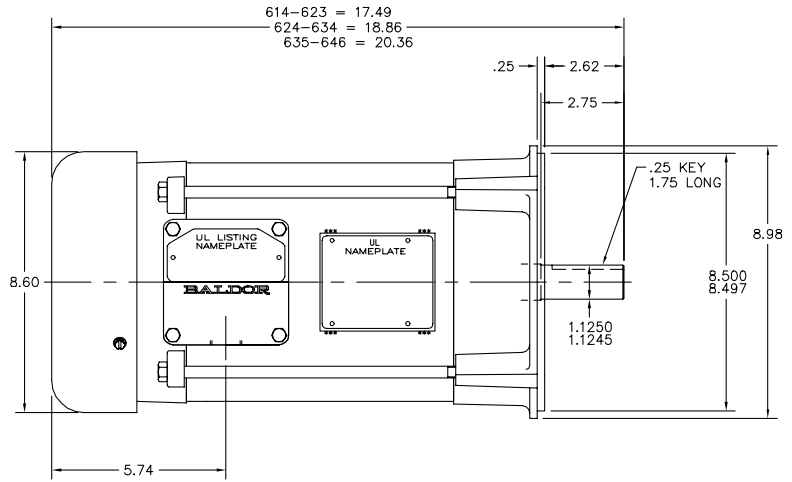
Load Characteristics 460 V, 60 Hz, 3 HP

% of Rated Load	25	50	75	100	125	150
Power Factor	35	55	68	75	80	82
Efficiency	81	87.7	89.6	89.8	89.6	88.1
Speed	1791	1783	1773	1764	1753	1741
Line amperes	2.47	2.85	3.43	4.09	4.89	5.78

Performance Graph at 460V, 60Hz, 3.0HP Typical performance - Not guaranteed values



36LY0330



PULLEY END DETAIL

CUSTOMER IS RESPONSIBLE FOR DETERMINING THAT BALDOR'S PRODUCT WILL PERFORM SUITABLY IN THE INTENDED APPLICATION.

REV. DESC: NEW	VERSION: 00	TDR: 000000867085
REV. LTR: -	REVISED: 12:48:14 08/21/2014	BY: ENANGGO
FILE: \AAA\00211\774		
MTL: -		

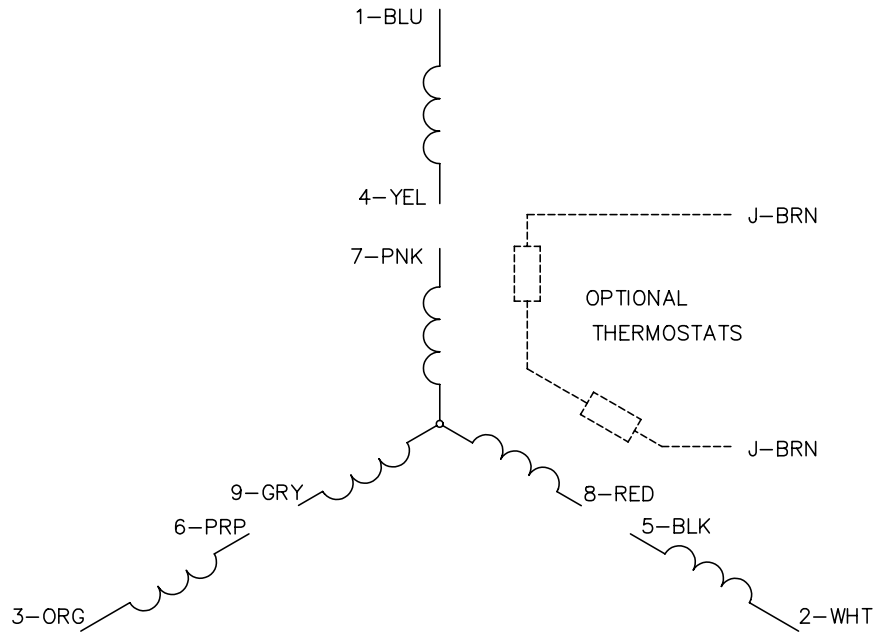
BALDOR

VERT 182-4TC XPFC 36M CL-I GP-D CL-II GP-F&G, INVERTER DUTY

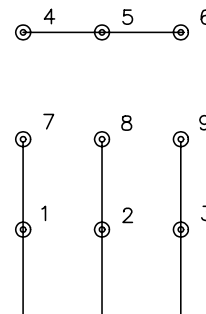
SH 1 of 1

36LY0330

CD0005

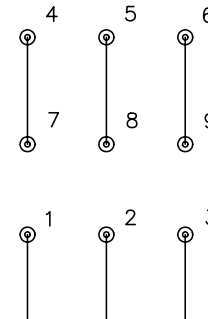


LOW VOLTAGE
(2Y)



LINE

HIGH VOLTAGE
(1Y)



LINE

NOTES:

1. INTERCHANGE ANY TWO LINE LEADS TO REVERSE ROTATION.
2. OPTIONAL THERMOSTATS ARE PROVIDED WHEN SPECIFIED.
3. ACTUAL NUMBER OF INTERNAL PARALLEL CIRCUITS MAY BE A MULTIPLE OF THOSE SHOWN ABOVE.
4. LEAD COLORS ARE OPTIONAL. LEADS MUST ALWAYS BE NUMBERED AS SHOWN.

REV. DESC: REVISE TO SHOW OPTIONAL COLORS

REV. LTR: E BY: JLP

REVISED: 01/19/99 10:15

TDR: 0171435

90000

FILE: AAA00005140

MDL: -

MTL: -

BALDOR ELECTRIC Co.

3PH, DV, 9 LEADS

CD0005

Marketing maintained PDF of MN416:

<http://www.baldor.com/support/Literature/Load.ashx/MN416?ManNumber=MN416>