

**BALDOR® • RELIANCE** 

**Product Information Packet**

**VXT3014T**

**1HP,1765RPM,3PH,60HZ,143TC,0524M,TEFC,F1**

| Part Detail |    |             |              |             |        |               |            |
|-------------|----|-------------|--------------|-------------|--------|---------------|------------|
| Revision:   | -  | Status:     | PRD/A        | Change #:   |        | Proprietary:  | No         |
| Type:       | AC | Elec. Spec: | 05WG014      | CD Diagram: | CD0005 | Mfg Plant:    |            |
| Mech. Spec: |    | Layout:     | 05LY-000-374 | Poles:      | 04     | Created Date: | 11-19-2020 |
| Base:       |    | Eff. Date:  | 12-17-2020   | Leads:      | 9#18   |               |            |

| Specs                           |                  |                                |                           |
|---------------------------------|------------------|--------------------------------|---------------------------|
| Catalog Number:                 | VXT3014T         | Electrically Isolated Bearing: | Not Electrically Isolated |
| Enclosure:                      | TEFC             | Feedback Device:               | NO FEEDBACK               |
| Frame:                          | 143TC            | Heater Indicator:              | No Heater                 |
| Frame Material:                 | Iron             | Insulation Class:              | F                         |
| Output @ Frequency:             | 1.000 HP @ 60 HZ | Inverter Code:                 | Inverter Duty             |
| Synchronous Speed @ Frequency:  | 1800 RPM @ 60 HZ | IP Rating:                     | NONE                      |
| Voltage @ Frequency:            | 460.0 V @ 60 HZ  | KVA Code:                      | N                         |
|                                 | 230.0 V @ 60 HZ  | Lifting Lugs:                  | No Lifting Lugs           |
|                                 | 208.0 V @ 60 HZ  | Locked Bearing Indicator:      | Locked Bearing            |
| XP Class and Group:             | CLI GP A,B,C,D   | Motor Lead Termination:        | Flying Leads              |
| XP Division:                    | Division II      | Motor Type:                    | 0524M                     |
| Agency Approvals:               | CCSA US          | Mounting Arrangement:          | F1                        |
|                                 | CSA EEV          | Power Factor:                  | 70                        |
|                                 | NEMA PREMIUM     | Product Family:                | General Purpose           |
|                                 | UR               | Pulley Face Code:              | C-Face                    |
| Auxillary Box:                  | No Auxillary Box | Rodent Screen:                 | None                      |
| Auxillary Box Lead Termination: | None             | Shaft Ground Indicator:        | No Shaft Grounding        |
| Base Indicator:                 | No Mounting      | Shaft Rotation:                | Reversible                |

|                                     |                         |                                    |                     |
|-------------------------------------|-------------------------|------------------------------------|---------------------|
| <b>Bearing Grease Type:</b>         | Polyrex EM (-20F +300F) | <b>Speed Code:</b>                 | Single Speed        |
| <b>Blower:</b>                      | None                    | <b>Motor Standards:</b>            | NEMA                |
| <b>Constant Torque Speed Range:</b> | 3                       | <b>Starting Method:</b>            | Direct on line      |
| <b>Current @ Voltage:</b>           | 3.300 A @ 208.0 V       | <b>Thermal Device - Bearing:</b>   | None                |
|                                     | 3.000 A @ 230.0 V       | <b>Thermal Device - Winding:</b>   | None                |
|                                     | 1.500 A @ 460.0 V       | <b>Vibration Sensor Indicator:</b> | No Vibration Sensor |
| <b>Design Code:</b>                 | B                       | <b>Winding Thermal 1:</b>          | None                |
| <b>Drip Cover:</b>                  | No Drip Cover           | <b>Winding Thermal 2:</b>          | None                |
| <b>Duty Rating:</b>                 | CONT                    | <b>XP Temp Code:</b>               | T4                  |

|                                |              |  |            |    |                       |              |      |              |                |    |  |
|--------------------------------|--------------|--|------------|----|-----------------------|--------------|------|--------------|----------------|----|--|
| <b>Nameplate NP4163L</b>       |              |  |            |    |                       |              |      |              |                |    |  |
| <b>CAT.NO.</b>                 | VXT3014T     |  |            |    |                       | <b>I.P.</b>  | 54   |              |                |    |  |
| <b>SPEC.</b>                   | 05-0000-0894 |  |            |    |                       | <b>ENCL</b>  | TEFC |              |                |    |  |
| <b>FRAME</b>                   | 143TC        |  |            |    | <b>H.P.</b>           | 1            |      |              |                |    |  |
| <b>VOLTS</b>                   | 208-230/460  |  |            |    | <b>P.F.</b>           | 70           |      |              |                |    |  |
| <b>F.L. AMPS</b>               | 3.3-3/1.5    |  |            |    | <b>RATING</b>         | 40C AMB-CONT |      |              |                |    |  |
| <b>R.P.M.</b>                  | 1765         |  |            |    | <b>USABLE AT 208V</b> |              |      |              |                |    |  |
| <b>HZ.</b>                     | 60           |  |            |    | <b>PH.</b>            | 3            |      | <b>CLASS</b> | F              |    |  |
| <b>SER.F.</b>                  | 1.15         |  |            |    | <b>DES.</b>           | B            |      | <b>SL HZ</b> | 1.2            |    |  |
| <b>NEMA NOM. EFF.</b>          | 87.5         |  |            |    | <b>Wk2</b>            | 0.14         |      | <b>ODE</b>   | 6203           |    |  |
| <b>DE</b>                      | 6205         |  |            |    |                       |              |      |              |                |    |  |
| <b>MAG. CUR.</b>               | 2/1          |  |            |    |                       |              |      |              |                |    |  |
| <b>INV TYPE</b>                | PWM          |  | <b>CHP</b> | 60 |                       | <b>TO</b>    | 90   |              | <b>T. CODE</b> | T4 |  |
| <b>CT</b>                      | 3            |  | <b>TO</b>  | 60 |                       | <b>VT</b>    | 3    |              | <b>TO</b>      | 60 |  |
| <b>CC</b>                      | 010A         |  | <b>SN</b>  |    |                       |              |      |              |                |    |  |
| USABLE AT 50 HZ .75HP 190/380V |              |  |            |    |                       |              |      |              |                |    |  |
| 2.8/1.4 A                      |              |  |            |    |                       |              |      |              |                |    |  |

| Parts List    |  |          |
|---------------|--|----------|
| Part Number   | Description                              | Quantity |
| SA388670      | SA 05-0000-0894                          | 1.000 EA |
| RA379035      | RA 05-0000-0894                          | 1.000 EA |
| LC0005E01     | CONN.DIA./WARNING LABEL (LC0005/LB1119N) | 1.000 EA |
| LB1449        | DIV-2/NEC WARNING LABEL                  | 1.000 EA |
| PK3082        | STYROFOAM CRADLE                         | 1.000 EA |
| NP4163L       | SS CP INV DIV-2 UL CSA-C US EEV PREM, DI | 1.000 EA |
| 85XU0407S04   | 4X1/4 U DRIVE PIN STAINLESS              | 2.000 EA |
| MN416A01      | TAG-INSTAL-MAINT no wire (2100/bx) 4/22  | 1.000 EA |
| 35FH4005A32SP | IEC FH NO GRSR W/3 HOLES - PRIMED        | 1.000 EA |
| 51XW1032A06   | 10-32 X .38, TAPTITE II, HEX WSHR SLTD S | 3.000 EA |
| 34FN3002B01   | EXTERNAL FAN, PLASTIC, .637/.639 HUB W/  | 1.000 EA |
| 51XB0818A12   | 8-18X3/4 HXWSSLD SERTYB                  | 1.000 EA |
| MJ1000A02     | GREASE, MOBIL POLYREX EM - 124047        | 0.050 LB |
| HA3100A47     | THRUBOLT 10-32 X 7.625                   | 4.000 EA |
| 35EP3122K00   | MASTER ODE,203 BRG,.683SH,#26 DRN,FH MTG | 1.000 EA |
| HW4600B39SP   | V-RING SLINGER 0.550 X 0.790 X .18 VITON | 1.000 EA |
| HW5100A03     | WAVY WASHER (W1543-017)                  | 1.000 EA |
| HA4067A01     | PUSH IN DRAIN FITTING (BLACK)            | 1.000 EA |
| 35EP3307F11   | F00 W/SLINGER                            | 1.000 EA |
| HW4600B32SP   | V-RING SLINGER 1.000 X 1.540 X .24 VITON | 1.000 EA |
| 51XN1032A20   | 10-32 X 1 1/4 HX WS SL SR                | 2.000 EA |
| HA4067A01     | PUSH IN DRAIN FITTING (BLACK)            | 1.000 EA |
| 06CB3000      | BALDOR CONDUIT BOX CAST                  | 1.000 EA |
| 06GS1000      | GASKET,CONDUIT BOX                       | 1.000 EA |

| <b>Parts List (continued)</b> |  |                 |
|-------------------------------|--|-----------------|
| <b>Part Number</b>            | <b>Description</b>                       | <b>Quantity</b> |
| 51XW2520A12                   | SCREW, HEX SER SLT HD, ZN, 1/4-20 X .75  | 2.000 EA        |
| 11XW1032G06                   | 10-32 X .38, TAPTITE II, HEX WSHR SLTD U | 1.000 EA        |
| HW3001B02                     | BRASS CUP WASHER W/GROUND SYMBOL TAB,    | 1.000 EA        |
| 06CB3500                      | BALDOR CONDUIT BOX LID                   | 1.000 EA        |
| 06GS1001                      | BALDOR CONDUIT BOX GASKET                | 1.000 EA        |
| 51XW2520A12                   | .25-20 X .75, TAPTITE II, HEX WSHR SLTD  | 2.000 EA        |
| MG1025L14                     | WILKOFASST, 776.14, GRUNDFOS BLACK       | 0.125 GA        |
| 36PA1000                      | PKG GRP, PRINT PK1016A06                 | 1.000 EA        |
| HW2501D13                     | KEY, 3/16 SQ X 1.375                     | 1.000 EA        |
| HA7000A01                     | KEY RETAINER 7/8" DIA SHAFT              | 1.000 EA        |
| FE-0000001                    | ZRTG FE ASSEMBLY                         | 1.000 EA        |

**AC Induction Motor Performance Data**

Record # 47106

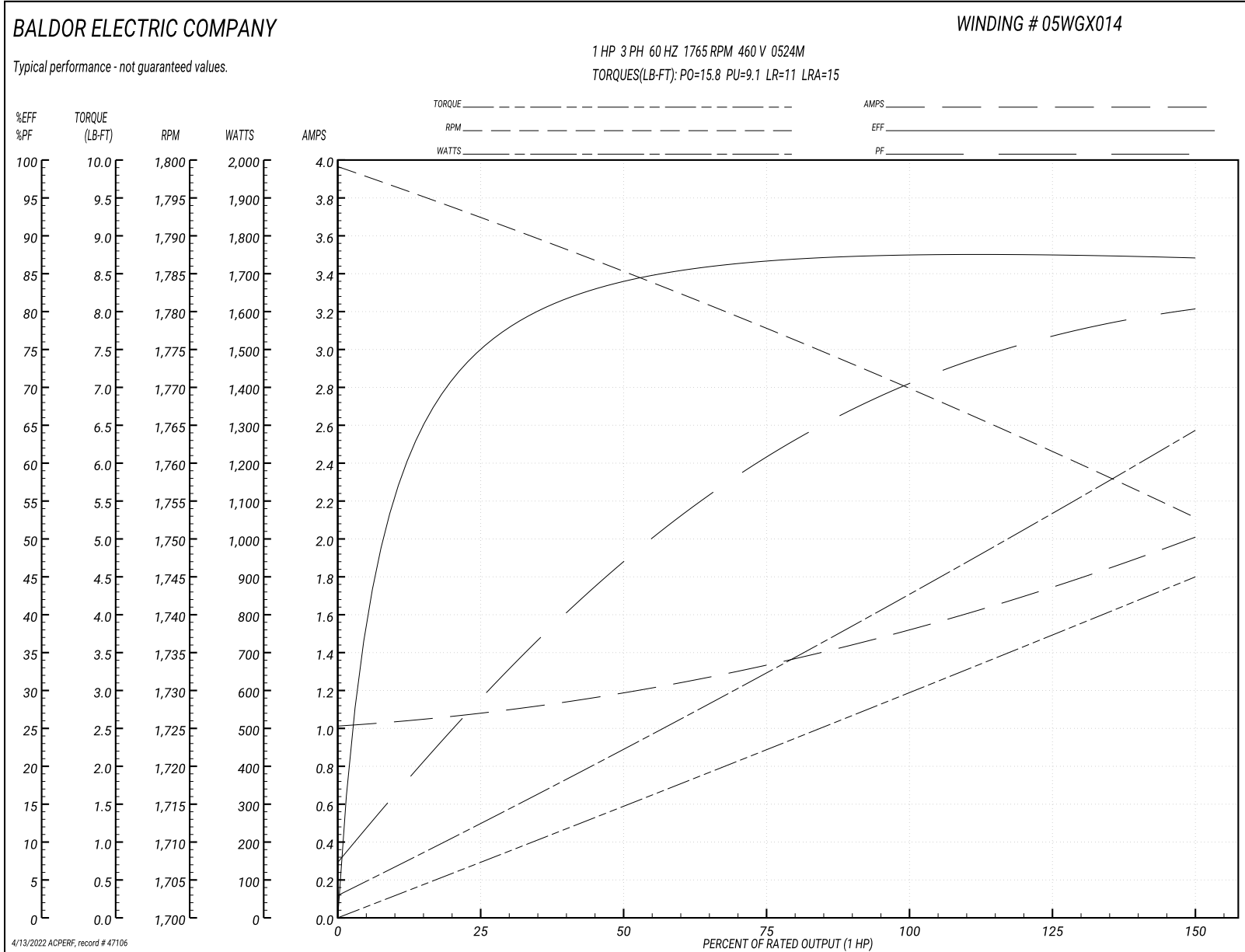
Typical performance - not guaranteed values

| Winding: 05WGX014-R050 |                   | Type: 0524M             | Enclosure: TEFC                                  |  |
|------------------------|-------------------|-------------------------|--|--|
| <b>Nameplate Data</b>  |                   |                         | <b>460 V, 60 Hz:<br/>High Voltage Connection</b> |  |
| Rated Output (HP)      | 1                 | Full Load Torque        | 2.99 LB-FT                                       |  |
| Volts                  | 208-230/460       | Start Configuration     | direct on line                                   |  |
| Full Load Amps         | 3.3-3/1.5         | Breakdown Torque        | 15.8 LB-FT                                       |  |
| R.P.M.                 | 1765              | Pull-up Torque          | 9.1 LB-FT  |  |
| Hz                     | 60 Phase          | Locked-rotor Torque     | 11 LB-FT   |  |
| NEMA Design Code       | B KVA Code        | Starting Current        | 15 A   |  |
| Service Factor (S.F.)  | 1.15              | No-load Current         | 1.02 A   |  |
| NEMA Nom. Eff.         | 87.5 Power Factor | Line-line Res. @ 25°C   | 12 Ω   |  |
| Rating - Duty          | 40C AMB-CONT      | Temp. Rise @ Rated Load | 21°C   |  |
| S.F. Amps              |                   | Temp. Rise @ S.F. Load  | 26°C   |  |

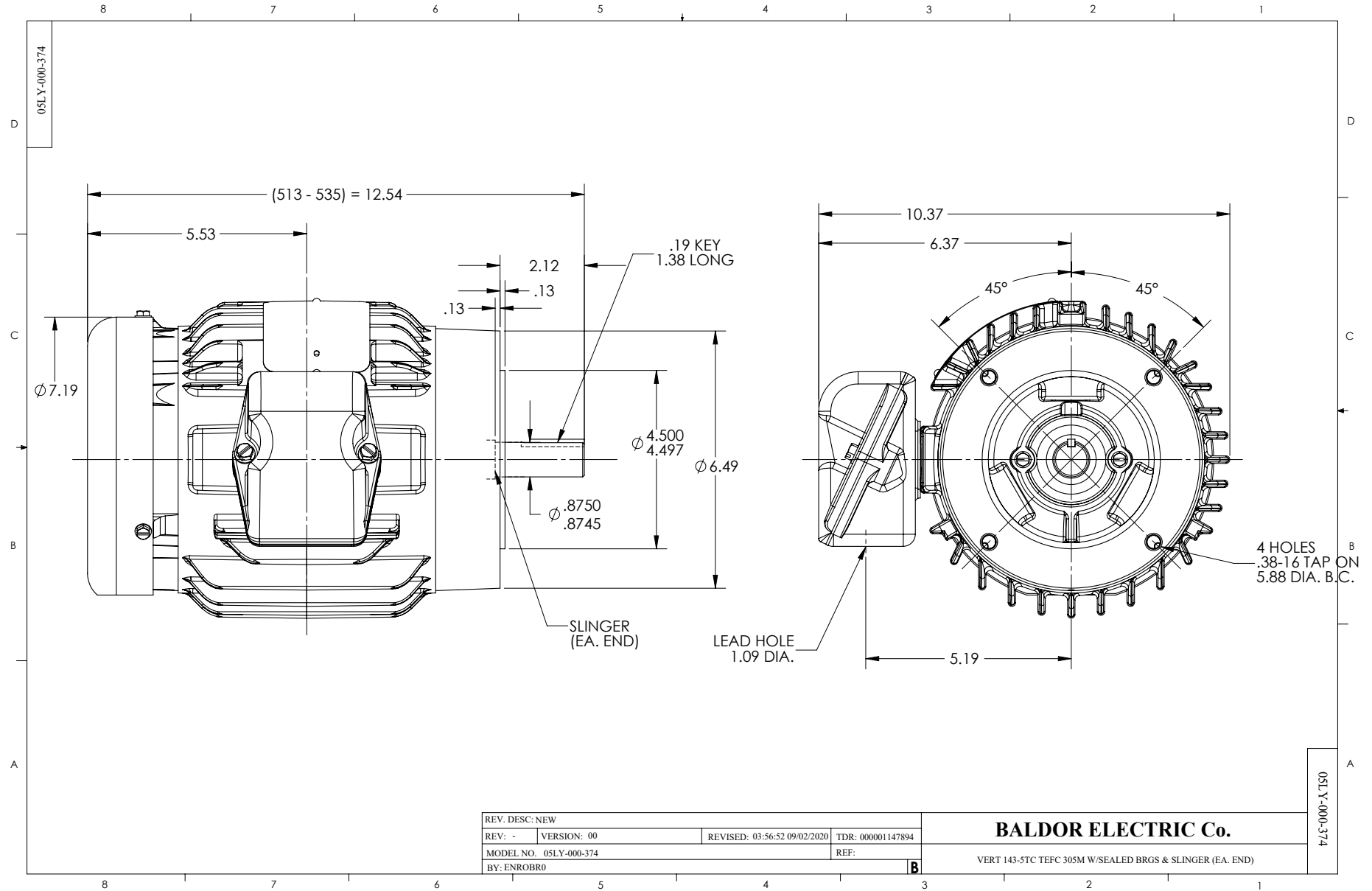
**Load Characteristics 460 V, 60 Hz, 1 HP**

| % of Rated Load | 25   | 50   | 75   | 100  | 125  | 150  | S.F. |
|-----------------|------|------|------|------|------|------|------|
| Power Factor    | 28   | 48   | 60   | 70   | 77   | 81   | 74   |
| Efficiency      | 74.8 | 84.4 | 87   | 87.9 | 87.7 | 87.3 | 87.8 |
| Speed           | 1793 | 1785 | 1778 | 1770 | 1761 | 1753 | 1765 |
| Line amperes    | 1.07 | 1.18 | 1.33 | 1.53 | 1.76 | 2    | 1.67 |

Performance Graph at 460V, 60Hz, 1.0HP Typical performance - Not guaranteed values







CD0005

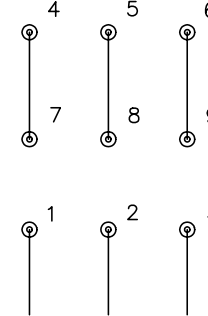


LOW VOLTAGE  
(2Y)



LINE

HIGH VOLTAGE  
(1Y)



LINE

NOTES:

1. INTERCHANGE ANY TWO LINE LEADS TO REVERSE ROTATION.
2. OPTIONAL THERMOSTATS ARE PROVIDED WHEN SPECIFIED.
3. ACTUAL NUMBER OF INTERNAL PARALLEL CIRCUITS MAY BE A MULTIPLE OF THOSE SHOWN ABOVE.
4. LEAD COLORS ARE OPTIONAL. LEADS MUST ALWAYS BE NUMBERED AS SHOWN.

|   |         |                         |              |
|---|---------|-------------------------|--------------|
| REV. DESC: REVISE TO SHOW OPTIONAL COLORS |         |                         |              |
| REV. LTR: E                               | BY: JLP | REVISED: 01/19/99 10:15 | TDR: 0171435 |
| 900000                                    |         | FILE: AAA00005140       | MDL: -       |
|   |         | MTL: -                  |              |

**BALDOR ELECTRIC Co.**

3PH, DV, 9 LEADS

CD0005

Marketing maintained PDF of MN416:

<http://www.baldor.com/support/Literature/Load.ashx/MN416?ManNumber=MN416>