

**BALDOR® • RELIANCE** 

**Product Information Packet**

**VXT3034T-5**

**3HP,1755RPM,3PH,60HZ,182TC,0632M,TEFC,F1**

| Part Detail |    |             |            |             |        |               |            |
|-------------|----|-------------|------------|-------------|--------|---------------|------------|
| Revision:   | -  | Status:     | PRD/A      | Change #:   |        | Proprietary:  | No         |
| Type:       | AC | Elec. Spec: | 06WGX319   | CD Diagram: | CD0006 | Mfg Plant:    |            |
| Mech. Spec: |    | Layout:     | 06LYH799   | Poles:      | 04     | Created Date: | 05-19-2021 |
| Base:       |    | Eff. Date:  | 07-09-2021 | Leads:      | 3#16   |               |            |

| Specs                           |                         |                           |                       |
|---------------------------------|-------------------------|---------------------------|-----------------------|
| Catalog Number:                 | VXT3034T-5              | Feedback Device:          | NO FEEDBACK           |
| Enclosure:                      | TEFC                    | Heater Indicator:         | No Heater             |
| Frame:                          | 182TC                   | Insulation Class:         | F                     |
| Frame Material:                 | Iron                    | Inverter Code:            | Inverter Duty         |
| Output @ Frequency:             | 3.000 HP @ 60 HZ        | IP Rating:                | NONE                  |
| Synchronous Speed @ Frequency:  | 1800 RPM @ 60 HZ        | KVA Code:                 | J                     |
| Voltage @ Frequency:            | 575.0 V @ 60 HZ         | Lifting Lugs:             | Standard Lifting Lugs |
| XP Class and Group:             | CLI GP A,B,C,D          | Locked Bearing Indicator: | Locked Bearing        |
| XP Division:                    | Division II             | Motor Lead Termination:   | Flying Leads          |
| Agency Approvals:               | CSA EEV                 | Motor Type:               | 0632M                 |
|                                 | NEMA PREMIUM            | Mounting Arrangement:     | F1                    |
|                                 | NEMA_PREMIUM            | Power Factor:             | 77                    |
|                                 | UR                      | Product Family:           | General Purpose       |
|                                 | CCSA US                 | Pulley Face Code:         | C-Face                |
| Auxillary Box:                  | No Auxillary Box        | Rodent Screen:            | None                  |
| Auxillary Box Lead Termination: | None                    | Shaft Ground Indicator:   | No Shaft Grounding    |
| Base Indicator:                 | No Mounting             | Shaft Rotation:           | Reversible            |
| Bearing Grease Type:            | Polyrex EM (-20F +300F) | Speed Code:               | Single Speed          |

|                                       |                           |                                    |                     |
|---------------------------------------|---------------------------|------------------------------------|---------------------|
| <b>Blower:</b>                        | None                      | <b>Motor Standards:</b>            | NEMA                |
| <b>Constant Torque Speed Range:</b>   | 3                         | <b>Starting Method:</b>            | Direct on line      |
| <b>Current @ Voltage:</b>             | 3.300 A @ 575.0 V         | <b>Thermal Device - Bearing:</b>   | None                |
| <b>Design Code:</b>                   | B                         | <b>Thermal Device - Winding:</b>   | None                |
| <b>Drip Cover:</b>                    | No Drip Cover             | <b>Vibration Sensor Indicator:</b> | No Vibration Sensor |
| <b>Duty Rating:</b>                   | CONT                      | <b>Winding Thermal 1:</b>          | None                |
| <b>Electrically Isolated Bearing:</b> | Not Electrically Isolated | <b>Winding Thermal 2:</b>          | None                |
|                                       |                           | <b>XP Temp Code:</b>               | T3C                 |

| Nameplate NP4224L |                      |                |              |
|-------------------|----------------------|----------------|--------------|
| CAT.NO.           | VXT3034T-5           | I.P.           | 54           |
| SPEC.             | 06-0000-0936         | ENCL           | TEFC         |
| FRAME             | 182TC                | H.P.           | 3            |
| VOLTS             | 575                  | P.F.           | 77           |
| F.L. AMPS         | 3.3                  | RATING         | 40C AMB-CONT |
| R.P.M.            | 1755                 | USABLE AT 208V |              |
| HZ.               | 60                   | PH.            | 3            |
| SER.F.            | 1.00                 | DES.           | B            |
| NEMA NOM. EFF.    | 89.5                 | WV             | 0.3          |
| DE                | 6206                 | ODE            | 6205         |
| MAG. CUR.         | 1.7                  | SL HZ          | 1.5          |
| INV TYPE          | PWM                  | CHP            | 60           |
| CT                | 3                    | TO             | 90           |
| CC                | 010A                 | VT             | 3            |
|                   |                      | TO             | 60           |
|                   |                      | SN             |              |
|                   | 1.15 SF ON SINE WAVE |                |              |
|                   |                      | INV TEMP CODE  | T3C          |

| Parts List    |                                          |          |
|---------------|------------------------------------------|----------|
| Part Number   | Description                              | Quantity |
| SA395259      | SA 06-0000-0936                          | 1.000 EA |
| RA385989      | RA 06-0000-0936                          | 1.000 EA |
| LB1115N       | LABEL,LIFTING DEVICE (ON ROLLS)          | 1.000 EA |
| LB1119N       | WARNING LABEL                            | 1.000 EA |
| LC0006        | CONNECTION LABEL                         | 1.000 EA |
| LB1449        | DIV-2/NEC WARNING LABEL                  | 1.000 EA |
| PK3082        | STYROFOAM CRADLE                         | 1.000 EA |
| NP4224L       | SS CP INV DIV-2 UL CSA-C US EEV PREM, DI | 1.000 EA |
| 85XU0407S04   | 4X1/4 U DRIVE PIN STAINLESS              | 2.000 EA |
| MN416A01      | TAG-INSTAL-MAINT no wire (2100/bx) 4/22  | 1.000 EA |
| HW3201A05     | 3/8-16 EYEBOLT                           | 1.000 EA |
| 36FH4009A101  | IEC FH NO GREASER, W/PRIMER              | 1.000 EA |
| 51XW1032A06   | 10-32 X .38, TAPTITE II, HEX WSHR SLTD S | 3.000 EA |
| 36FN3000C01SP | EXFN, PLASTIC, 5.25 OD, .912 ID          | 1.000 EA |
| 51XB1214A16   | 12-14X1.00 HXWSSLD SERTYB                | 1.000 EA |
| MJ1000A02     | GREASE, MOBIL POLYREX EM - 124047        | 0.050 LB |
| HA3101A34     | THRUBOLT- 1/4-20 X 10.375                | 4.000 EA |
| 36EP3104B47   | FREP MACH W/O GRSSR,RAISED FH PADS,SLING | 1.000 EA |
| HW4600B32SP   | V-RING SLINGER 1.000 X 1.540 X .24 VITON | 1.000 EA |
| HW5100A05     | WVY WSHR F/205 & 304 BRGS                | 1.000 EA |
| HA4067A01     | PUSH IN DRAIN FITTING (BLACK)            | 1.000 EA |
| 36EP3301A34   | SPL PU. ENDPLATE - ENCLOSED              | 1.000 EA |
| HW4600B36SP   | V-RING SLINGER 1.188 X 1.690 X .24 VITON | 1.000 EA |
| 10XN2520A28   | 1/4-20X 1 3/4 HEX HD                     | 4.000 EA |

| <b>Parts List (continued)</b> |                                          |                 |
|-------------------------------|------------------------------------------|-----------------|
| <b>Part Number</b>            | <b>Description</b>                       | <b>Quantity</b> |
| HW1001A25                     | LOCKWASHER 1/4, ZINC PLT .493 OD, .255 I | 4.000 EA        |
| HA4067A01                     | PUSH IN DRAIN FITTING (BLACK)            | 1.000 EA        |
| 06CB3000                      | BALDOR CONDUIT BOX CAST                  | 1.000 EA        |
| 06GS1000                      | GASKET,CONDUIT BOX                       | 1.000 EA        |
| 51XW2520A12                   | SCREW, HEX SER SLT HD, ZN, 1/4-20 X .75  | 2.000 EA        |
| 11XW1032G06                   | 10-32 X .38, TAPTITE II, HEX WSHR SLTD U | 1.000 EA        |
| HW3001B02                     | BRASS CUP WASHER W/GROUND SYMBOL TAB,    | 1.000 EA        |
| 06CB3500                      | BALDOR CONDUIT BOX LID                   | 1.000 EA        |
| 06GS1001                      | BALDOR CONDUIT BOX GASKET                | 1.000 EA        |
| 51XW2520A12                   | .25-20 X .75, TAPTITE II, HEX WSHR SLTD  | 2.000 EA        |
| MG1025L14                     | WILKOFASST, 776.14, GRUNDFOS BLACK       | 0.125 GA        |
| 36PA1001                      | PKG GRP, PRINT PK1017A06                 | 1.000 EA        |
| HW2501E16                     | KEY, 1/4 SQ X 1.750                      | 1.000 EA        |
| HA7000A02                     | KEY RETAINER RING, 1 1/8 DIA, 1 3/8 DIA  | 1.000 EA        |

**AC Induction Motor Performance Data**

Record # 47008

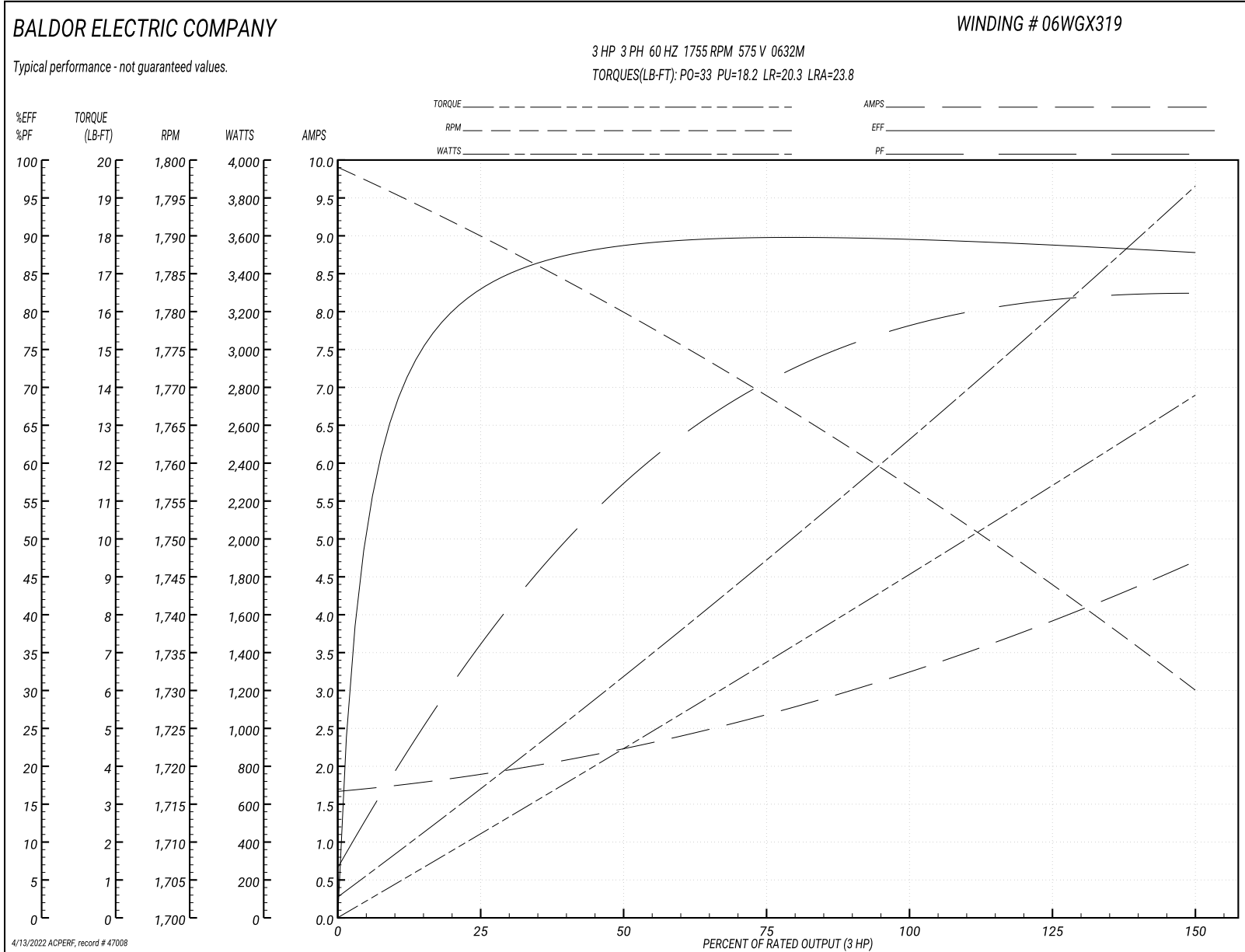
Typical performance - not guaranteed values

| <b>Winding: 06WGX319-R011</b> |          | <b>Type: 0632M</b>             |                                               | <b>Enclosure: TEFC</b> |  |
|-------------------------------|----------|--------------------------------|-----------------------------------------------|------------------------|--|
| <b>Nameplate Data</b>         |          |                                | <b>575 V, 60 Hz:<br/>Single Voltage Motor</b> |                        |  |
| <b>Rated Output (HP)</b>      | 3        | <b>Full Load Torque</b>        | 9.05 LB-FT                                    |                        |  |
| <b>Volts</b>                  | 575      | <b>Start Configuration</b>     | direct on line                                |                        |  |
| <b>Full Load Amps</b>         | 3.3      | <b>Breakdown Torque</b>        | 33 LB-FT                                      |                        |  |
| <b>R.P.M.</b>                 | 1755     | <b>Pull-up Torque</b>          | 18.2 LB-FT                                    |                        |  |
| <b>Hz</b>                     | 60       | <b>Locked-rotor Torque</b>     | 20.3 LB-FT                                    |                        |  |
| <b>NEMA Design Code</b>       | B        | <b>Starting Current</b>        | 23.8 A                                        |                        |  |
| <b>Service Factor (S.F.)</b>  | 1.15     | <b>No-load Current</b>         | 1.7 A                                         |                        |  |
| <b>NEMA Nom. Eff.</b>         | 89.5     | <b>Line-line Res. @ 25°C</b>   | 6.22 Ω                                        |                        |  |
| <b>Rating - Duty</b>          | 40C      | <b>Temp. Rise @ Rated Load</b> | 35°C                                          |                        |  |
| <b>S.F. Amps</b>              | AMB-CONT | <b>Temp. Rise @ S.F. Load</b>  | 42°C                                          |                        |  |
|                               |          | <b>Rotor inertia</b>           | 0.298 LB-FT <sup>2</sup>                      |                        |  |

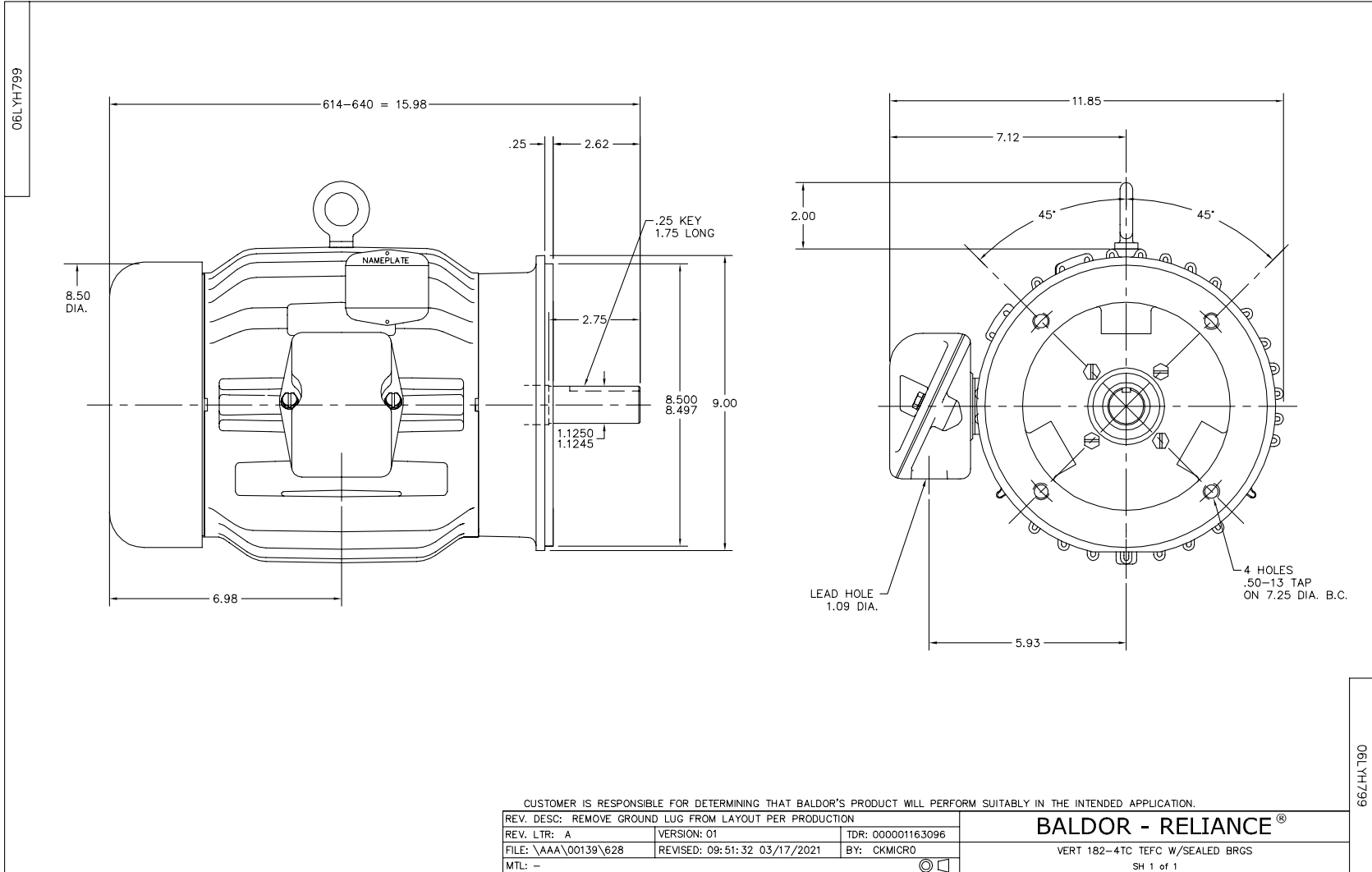
**Load Characteristics 575 V, 60 Hz, 3 HP**

| <b>% of Rated Load</b> | <b>25</b> | <b>50</b> | <b>75</b> | <b>100</b> | <b>125</b> | <b>150</b> | <b>S.F.</b> |
|------------------------|-----------|-----------|-----------|------------|------------|------------|-------------|
| <b>Power Factor</b>    | 38        | 59        | 71        | 77         | 81         | 83         | 79          |
| <b>Efficiency</b>      | 83.1      | 88.4      | 89.8      | 89.6       | 89.1       | 87.7       | 89.3        |
| <b>Speed</b>           | 1790      | 1779      | 1769      | 1757       | 1744       | 1730       | 1749        |
| <b>Line amperes</b>    | 1.86      | 2.22      | 2.71      | 3.27       | 3.92       | 4.69       | 3.66        |

Performance Graph at 575V, 60Hz, 3.0HP Typical performance - Not guaranteed values







CD0006



NOTES:

1. THREE LEAD MOTOR MAY BE EITHER WYE CONNECTED OR DELTA CONNECTED.
2. INTERCHANGE ANY TWO LINE LEADS TO REVERSE ROTATION.
3. OPTIONAL THERMOSTATS ARE PROVIDED WHEN SPECIFIED.
4. ACTUAL NUMBER OF INTERNAL PARALLEL CIRCUITS MAY VARY.
5. LEAD COLORS ARE OPTIONAL. LEADS MUST BE NUMBERED AS SHOWN.

CD0006

|                                   |                              |                   |
|-----------------------------------|------------------------------|-------------------|
| REV. DESC: ADD CLASS CONN00000007 |                              |                   |
| REV. LTR: E                       | VERSION: 01                  | TDR: 000001099922 |
| FILE: \AAA\00005\141              | REVISED: 10:24:49 02/19/2019 | BY: ENBRIRO       |
| MTL: -                            | © □                          |                   |

**BALDOR - RELIANCE®**

3PH, SV, 3 LEADS, WYE OR DELTA CONNECTED

SH 1 of 1

Marketing maintained PDF of MN416:

<http://www.baldor.com/support/Literature/Load.ashx/MN416?ManNumber=MN416>