

BALDOR® • RELIANCE 

Product Information Packet

VXT3104T

10HP,1760RPM,3PH,60HZ,215TC,0748M,TEFC,F

Part Detail							
Revision:	B	Status:	PRD/A	Change #:		Proprietary:	No
Type:	AC	Elec. Spec:	07WGX776	CD Diagram:	CD0005	Mfg Plant:	
Mech. Spec:		Layout:	07LYL289	Poles:	04	Created Date:	11-19-2020
Base:		Eff. Date:	02-03-2021	Leads:	9#14		

Specs			
Catalog Number:	VXT3104T	Electrically Isolated Bearing:	Not Electrically Isolated
Enclosure:	TEFC	Feedback Device:	NO FEEDBACK
Frame:	215TC	Heater Indicator:	No Heater
Frame Material:	Iron	Insulation Class:	F
Output @ Frequency:	10.000 HP @ 60 HZ	Inverter Code:	Inverter Duty
Synchronous Speed @ Frequency:	1800 RPM @ 60 HZ	IP Rating:	NONE
Voltage @ Frequency:	460.0 V @ 60 HZ	KVA Code:	J
	230.0 V @ 60 HZ	Lifting Lugs:	Standard Lifting Lugs
	208.0 V @ 60 HZ	Locked Bearing Indicator:	Locked Bearing
XP Class and Group:	CLI GP A,B,C,D	Motor Lead Termination:	Flying Leads
XP Division:	Division II	Motor Type:	0748M
Agency Approvals:	CCSA US	Mounting Arrangement:	F1
	CSA EEV	Power Factor:	82
	NEMA PREMIUM	Product Family:	General Purpose
	UR	Pulley Face Code:	C-Face
Auxillary Box:	No Auxillary Box	Rodent Screen:	None
Auxillary Box Lead Termination:	None	Shaft Ground Indicator:	No Shaft Grounding
Base Indicator:	No Mounting	Shaft Rotation:	Reversible

Bearing Grease Type:	Polyrex EM (-20F +300F)	Speed Code:	Single Speed
Blower:	None	Motor Standards:	NEMA
Constant Torque Speed Range:	3	Starting Method:	Direct on line
Current @ Voltage:	26.000 A @ 208.0 V	Thermal Device - Bearing:	None
	25.000 A @ 230.0 V	Thermal Device - Winding:	None
	12.500 A @ 460.0 V	Vibration Sensor Indicator:	No Vibration Sensor
Design Code:	A	Winding Thermal 1:	None
Drip Cover:	No Drip Cover	Winding Thermal 2:	None
Duty Rating:	CONT	XP Temp Code:	T3C

Nameplate NP4163L											
CAT.NO.	VXT3104T						I.P.	54			
SPEC.	07-0000-0924						ENCL	TEFC			
FRAME	215TC				H.P.	10					
VOLTS	208-230/460				P.F.	82					
F.L. AMPS	26-25/12.5				RATING	40C AMB-CONT					
R.P.M.	1760				USABLE AT 208V						
HZ.	60				PH.	3		CLASS	F		
SER.F.	1.15				DES.	A		SL HZ	1.3		
NEMA NOM. EFF.	92.4				Wk2	1.18					
DE	6307				ODE	6206					
MAG. CUR.	10.2/5.1										
INV TYPE	PWM		CHP	60		TO	90		T. CODE	T3C	
CT	3		TO	60		VT	3		TO	60	
CC	010A			SN							
USABLE AT 50 HZ 7.5HP 190/380V											
22.8/11.4A											

Parts List		
Part Number	Description	Quantity
SA388654	SA 07-0000-0924	1.000 EA
RA379019	RA 07-0000-0924	1.000 EA
LB1115N	LABEL,LIFTING DEVICE (ON ROLLS)	1.000 EA
LC0005E01	CONN.DIA./WARNING LABEL (LC0005/LB1119N)	1.000 EA
LB1449	DIV-2/NEC WARNING LABEL	1.000 EA
07PA1095	PKG GRP, VER 07 CAST IRON	1.000 EA
NP4163L	SS CP INV DIV-2 UL CSA-C US EEV PREM, DI	1.000 EA
85XU0407S04	4X1/4 U DRIVE PIN STAINLESS	2.000 EA
MN416A01	TAG-INSTAL-MAINT no wire (2100/bx) 4/22	1.000 EA
HW3201A05	3/8-16 EYEBOLT	1.000 EA
07FH4007A07	IEC FH NO GRSSR, NOTCH @ 6:00 & 3 F/C HOL	1.000 EA
51XW1032A06	10-32 X .38, TAPTITE II, HEX WSHR SLTD S	3.000 EA
37FN3002A01SP	EXFN, PLASTIC, 9.00 OD, 1.155 ID	1.000 EA
51XB1214A20	12-14X1.25 HXWSSLD SERTYB	1.000 EA
MJ1000A02	GREASE, MOBIL POLYREX EM - 124047	0.050 LB
HA3104A32	THRUBOLT- 5/16-18 X12.750	4.000 EA
XY3118A12	5/16-18 HEX NUT DIRECTIONAL SERRATION	4.000 EA
37EP3101C34	FR ENDPLATE, MACH SPL MACH SWITCH BOSSES	1.000 EA
HW4600B36SP	V-RING SLINGER 1.188 X 1.690 X .24 VITON	1.000 EA
HW5100A06	W2420-025 WVY WSHR (WB)	1.000 EA
HA4067A01	PUSH IN DRAIN FITTING (BLACK)	1.000 EA
37EP3300A05	FACE MT EP-ENCL-307 BRG-213TC-215TC LESS	1.000 EA
HW4600B33	V-RING SLINGER 1.375 X 1.890 X .35 VITON	1.000 EA
10XN2520A30	HEX HD CAP SCREW-STD THD-.25 X 20 THD PE	4.000 EA

Parts List (continued)		
Part Number	Description	Quantity
HW1001A25	LOCKWASHER 1/4, ZINC PLT .493 OD, .255 I	4.000 EA
HA4067A01	PUSH IN DRAIN FITTING (BLACK)	1.000 EA
09CB3002SP	CB W/1.38 LEAD HOLE FOR 37, 39, 307 & 30	1.000 EA
09GS1000SP	GASKET-CONDUIT BOX, 1/16 THICK LEXIDE	1.000 EA
09CB3501SP	CONDUIT BOX LID FOR 09CB3001 & 09CB3002	1.000 EA
09GS1013SP	GS FOR 09CB3501, 12CB1500 & 12CB1503 LID	1.000 EA
51XW2520A12	.25-20 X .75, TAPTITE II, HEX WSHR SLTD	2.000 EA
51XW2520A12	.25-20 X .75, TAPTITE II, HEX WSHR SLTD	2.000 EA
WD1000B16	T&B CX70TN OR L70P TERMINAL LUG	1.000 EA
59XW2520G07	.25-20X.44,HEX SER WSHR,TAPTITE 2,GREEN	1.000 EA
MG1025L14	WILKOFASST, 776.14, GRUNDFOS BLACK	0.125 GA
07PA1095	PKG GRP, VER 07 CAST IRON	1.000 EA
07PA1011	PKG GRP, 07 CAST IRON PK1181	1.000 EA
HW2501F21	KEY, 5/16 SQ X 2.375	1.000 EA
HA7000A02	KEY RETAINER RING, 1 1/8 DIA, 1 3/8 DIA	1.000 EA
FE-0000001	ZRTG FE ASSEMBLY	1.000 EA
PE-0000001	ZRTG PE ASSEMBLY	1.000 EA

AC Induction Motor Performance Data

Record # 25097

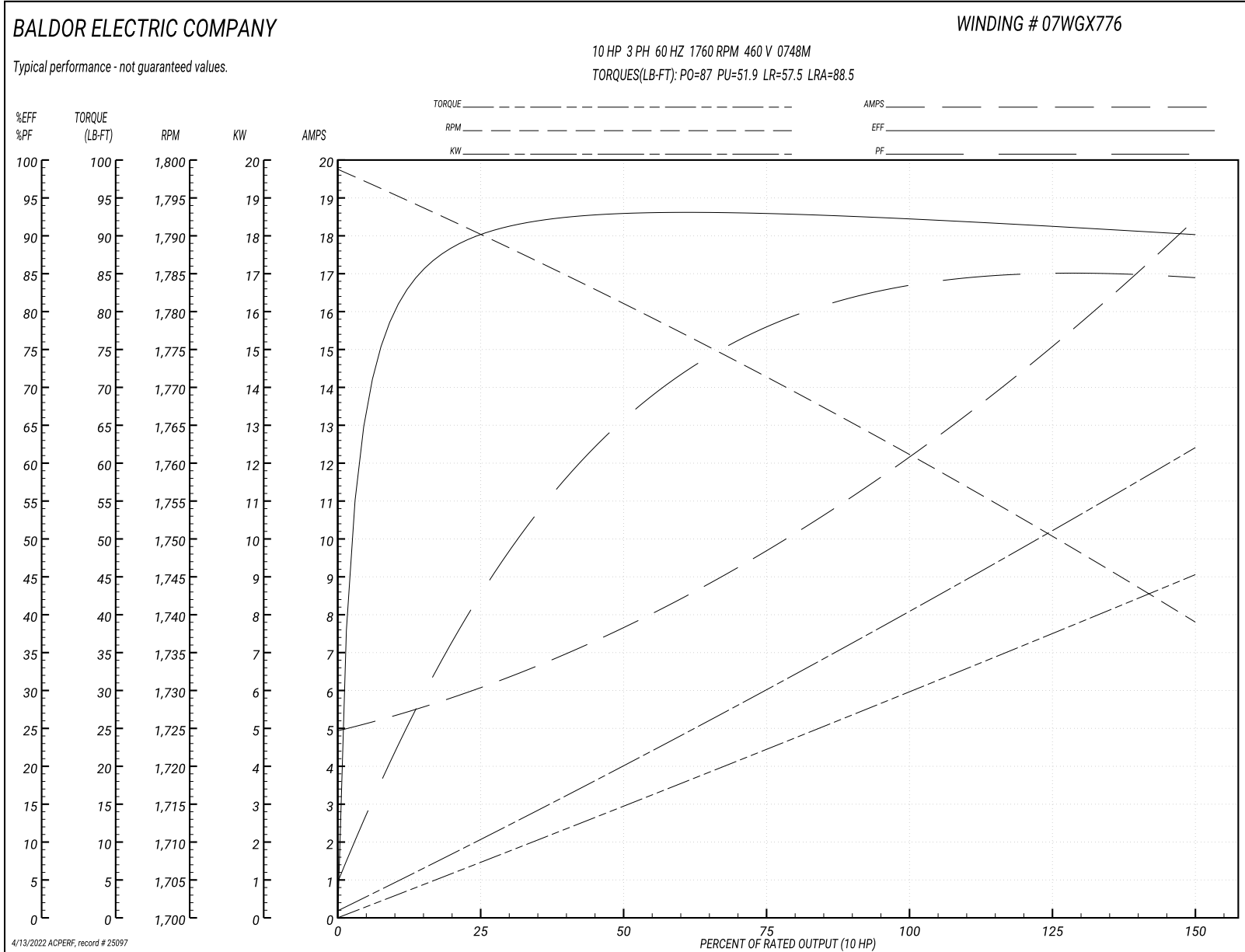
Typical performance - not guaranteed values

Winding: 07WGX776-R016		Type: 0748M		Enclosure: TEFC	
Nameplate Data			460 V, 60 Hz: High Voltage Connection		
Rated Output (HP)	10	Full Load Torque	29.8 LB-FT		
Volts	230/460	Start Configuration	direct on line		
Full Load Amps	25/12.5	Breakdown Torque	87 LB-FT		
R.P.M.	1760	Pull-up Torque	51.9 LB-FT		
Hz	60 Phase	3	Locked-rotor Torque	57.5 LB-FT	
NEMA Design Code	A KVA Code	H	Starting Current	88.5 A	
Service Factor (S.F.)	1.15	No-load Current	5.12 A		
NEMA Nom. Eff.	92.4 Power Factor	82	Line-line Res. @ 25°C	0.973 Ω	
Rating - Duty	40C AMB-CONT	Temp. Rise @ Rated Load	60°C		
S.F. Amps		Temp. Rise @ S.F. Load	76°C		
		Locked-rotor Power Factor	35		
		Rotor inertia	1.18 LB-FT ²		

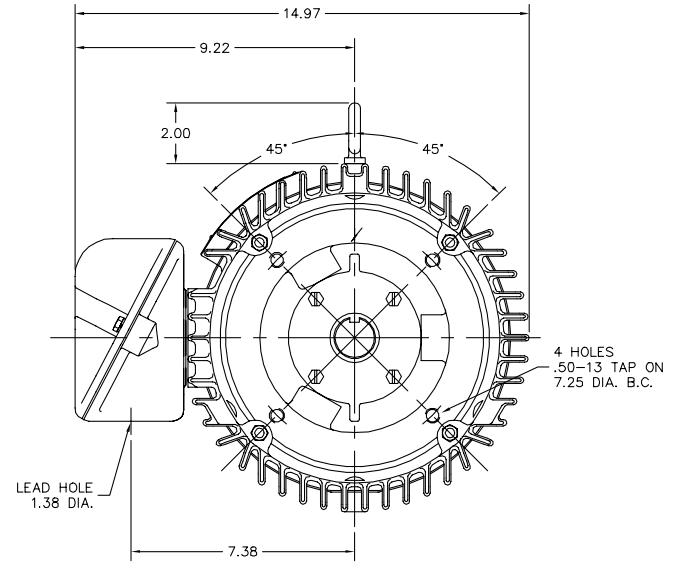
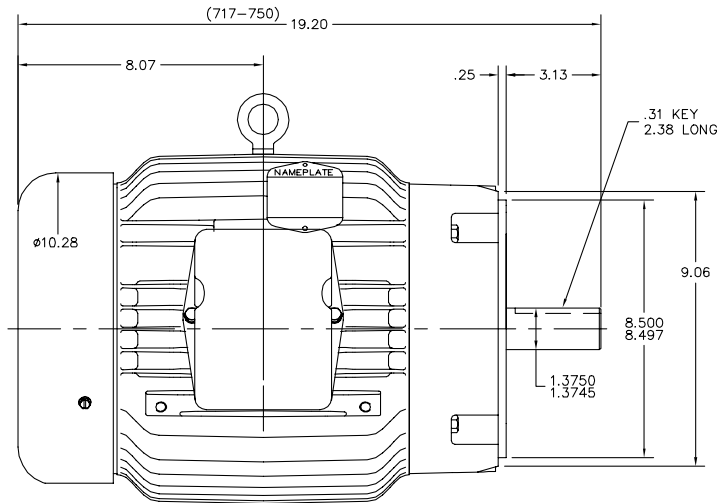
Load Characteristics 460 V, 60 Hz, 10 HP

% of Rated Load	25	50	75	100	125	150	S.F.
Power Factor	44	67	78	82	84	85	83
Efficiency	90	92.9	93.1	92.5	91.4	90.1	91.8
Speed	1790	1781	1771	1762	1750	1739	1755
Line amperes	5.84	7.52	9.75	12.3	15.2	18.3	14

Performance Graph at 460V, 60Hz, 10.0HP Typical performance - Not guaranteed values



07LYL289



07LYL289

CUSTOMER IS RESPONSIBLE FOR DETERMINING THAT BALDOR'S PRODUCT WILL PERFORM SUITABLY IN THE INTENDED APPLICATION.

REV. DESC: "C" LENGTH WAS 19.25	VERSION: 02	TDR: 000001161672
REV. LTR: B	REVISED: 11:07:15 02/24/2021	BY: ENERIO0
FILE: \AAA\00165\767		
MTL: -		

BALDOR - RELIANCE®

VERT 213-5TC TEFC W/SEALED BEARINGS

SH 1 of 1

CD0005

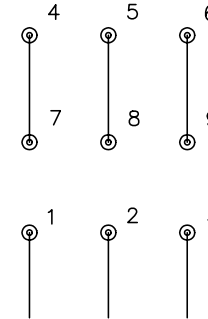


LOW VOLTAGE
(2Y)



LINE

HIGH VOLTAGE
(1Y)



LINE

NOTES:

1. INTERCHANGE ANY TWO LINE LEADS TO REVERSE ROTATION.
2. OPTIONAL THERMOSTATS ARE PROVIDED WHEN SPECIFIED.
3. ACTUAL NUMBER OF INTERNAL PARALLEL CIRCUITS MAY BE A MULTIPLE OF THOSE SHOWN ABOVE.
4. LEAD COLORS ARE OPTIONAL. LEADS MUST ALWAYS BE NUMBERED AS SHOWN.

REV. DESC: REVISE TO SHOW OPTIONAL COLORS			
REV. LTR: E	BY: JLP	REVISED: 01/19/99 10:15	TDR: 0171435
900003		FILE: AAA00005140	MDL: -
		MTL: -	

BALDOR ELECTRIC Co.

3PH, DV, 9 LEADS

CD0005

Marketing maintained PDF of MN416:

<http://www.baldor.com/support/Literature/Load.ashx/MN416?ManNumber=MN416>