

**BALDOR® • RELIANCE** 

**Product Information Packet**

**VXT3154T**

**15HP, 1760RPM, 3PH, 60HZ, 254TC, 0944M, TEFC, F**

Part Detail							
Revision:	B	Status:	PRD/A	Change #:		Proprietary:	No
Type:	AC	Elec. Spec:	09WGT037	CD Diagram:	CD0005	Mfg Plant:	
Mech. Spec:		Layout:	09LY-001-011	Poles:	04	Created Date:	11-05-2020
Base:		Eff. Date:	02-18-2022	Leads:	9#12		

Specs			
Catalog Number:	VXT3154T	Electrically Isolated Bearing:	Not Electrically Isolated
Enclosure:	TEFC	Feedback Device:	NO FEEDBACK
Frame:	254TC	Heater Indicator:	No Heater
Frame Material:	Iron	Insulation Class:	F
Output @ Frequency:	15.000 HP @ 60 HZ	Inverter Code:	Inverter Duty
Synchronous Speed @ Frequency:	1800 RPM @ 60 HZ	IP Rating:	NONE
Voltage @ Frequency:	230.0 V @ 60 HZ	KVA Code:	G
	460.0 V @ 60 HZ	Lifting Lugs:	Standard Lifting Lugs
XP Class and Group:	CLI GP A,B,C,D	Locked Bearing Indicator:	Locked Bearing
XP Division:	Division II	Motor Lead Termination:	Flying Leads
Agency Approvals:	CCSA US	Motor Type:	0944M
	CSA EEV	Mounting Arrangement:	F1
	NEMA PREMIUM	Power Factor:	85
	UR	Product Family:	General Purpose
Auxillary Box:	No Auxillary Box	Pulley Face Code:	C-Face
Auxillary Box Lead Termination:	None	Rodent Screen:	None
Base Indicator:	No Mounting	Shaft Ground Indicator:	No Shaft Grounding
Bearing Grease Type:	Polyrex EM (-20F +300F)	Shaft Rotation:	Reversible

<b>Blower:</b>	None	<b>Speed Code:</b>	Single Speed
<b>Constant Torque Speed Range:</b>	3	<b>Motor Standards:</b>	NEMA
<b>Current @ Voltage:</b>	35.200 A @ 230.0 V	<b>Starting Method:</b>	Direct on line
	38.400 A @ 208.0 V	<b>Thermal Device - Bearing:</b>	None
	17.600 A @ 460.0 V	<b>Thermal Device - Winding:</b>	None
<b>Design Code:</b>	B	<b>Vibration Sensor Indicator:</b>	No Vibration Sensor
<b>Drip Cover:</b>	No Drip Cover	<b>Winding Thermal 1:</b>	None
<b>Duty Rating:</b>	CONT	<b>Winding Thermal 2:</b>	None
		<b>XP Temp Code:</b>	T3C

<b>Nameplate NP4163L</b>											
<b>CAT.NO.</b>	VXT3154T						<b>I.P.</b>	54			
<b>SPEC.</b>	09-0000-2726						<b>ENCL</b>	TEFC			
<b>FRAME</b>	254TC				<b>H.P.</b>	15					
<b>VOLTS</b>	230/460				<b>P.F.</b>	85					
<b>F.L. AMPS</b>	35.2/17.6				<b>RATING</b>	40C AMB-CONT					
<b>R.P.M.</b>	1760				<b>USABLE AT 208V</b>	38.4					
<b>HZ.</b>	60				<b>PH.</b>	3		<b>CLASS</b>	F		
<b>SER.F.</b>	1.15				<b>DES.</b>	B		<b>SL HZ</b>	1.3		
<b>NEMA NOM. EFF.</b>	92.4				<b>Wk2</b>	1.93		<b>ODE</b>	6208		
<b>DE</b>	6309										
<b>MAG. CUR.</b>	12.4/6.2										
<b>INV TYPE</b>	PWM		<b>CHP</b> 60		<b>TO</b> 90		<b>T. CODE</b> T3A				
<b>CT</b>	3		<b>TO</b> 60		<b>VT</b> 3		<b>TO</b> 60				
<b>CC</b>	010A		<b>SN</b>								
USABLE AT 50 HZ 10HP 190/380V											
29.2/14.6A											

Parts List		
Part Number	Description	Quantity
SA388787	SA 09-0000-2726	1.000 EA
RA379149	RA 09-0000-2726	1.000 EA
LB1115N	LABEL,LIFTING DEVICE (ON ROLLS)	1.000 EA
LC0005E01	SPL CONN.DIA./WARN.LABEL(LC0005/LB1119)	1.000 EA
LB1449	DIV-2/NEC WARNING LABEL	1.000 EA
NP4163L	SS CP INV DIV-2 UL CSA-C US EEV PREM, DI	1.000 EA
85XU0407S04	4X1/4 U DRIVE PIN STAINLESS	2.000 EA
MN416A01	TAG-INSTAL-MAINT no wire (2100/bx) 4/22	1.000 EA
HW3201A01	1/2-13 EYEBOLT	1.000 EA
HW1002A63	WASHER, 5/8 HI-COLLAR SPRLCKWASHER	1.000 EA
09FH4000SP	309 FH - BLACK PRIMER	1.000 EA
HW1001A38	LOCKWASHER 3/8, ZINC PLT .688 OD, .382 I	4.000 EA
XY3816A12	3/8-16 FINISHED NUT	4.000 EA
37FN3002B02	EXFN, PLASTIC, 7.50 OD, 1.503 ID	1.000 EA
HW2500A25	WOODRUFF KEY USA #1008 #BLOW CARBON STEE	1.000 EA
MJ1000A02	GREASE, MOBIL POLYREX EM - 124047	0.080 LB
09EP1100A196	ENDPLATE, MACH	1.000 EA
HA3400A33	STUD- 3/8-16 X 4.82 HEX WELKER	4.000 EA
HW1001A38	LOCKWASHER 3/8, ZINC PLT .688 OD, .382 I	4.000 EA
HW5100A08	W3118-035 WVY WSHR (WB)	1.000 EA
HA4066A01	PUSH IN T-DRAIN FITTING (BLACK)	1.000 EA
09EP1300A164	FACE MTD. E.P. 309 ENCL 254-6TC 309 BRG-	1.000 EA
HW1001A38	LOCKWASHER 3/8, ZINC PLT .688 OD, .382 I	4.000 EA
10XN3816K28	3/8-16 X 1.75 HEX HD CAP SCREW, GRADE 5	4.000 EA

Parts List (continued)		
Part Number	Description	Quantity
HW4600B44	V-RING SLINGER 1.500 X 1.810 X .28 VITON	1.000 EA
HW4600B44	V-RING SLINGER 1.500 X 1.810 X .28 VITON	1.000 EA
10XN2520K36	1/4-20 X 2.25" HX HD SCRWGRADE 5, ZINC P	4.000 EA
HW1001A25	LOCKWASHER 1/4, ZINC PLT .493 OD, .255 I	4.000 EA
HA4066A01	PUSH IN T-DRAIN FITTING (BLACK)	1.000 EA
09CB3002A10	CB MACH 1.38 DIA. LEAD HOLE 2.38 MTG	1.000 EA
09GS1000SP	GASKET-CONDUIT BOX, 1/16 THICK LEXIDE	1.000 EA
51XW2520A12	.25-20 X .75, TAPTITE II, HEX WSHR SLTD	4.000 EA
HW1001A25	LOCKWASHER 1/4, ZINC PLT .493 OD, .255 I	4.000 EA
WD1000B16	T&B CX70TN OR L70P TERMINAL LUG	1.000 EA
59XW2520G07	.25-20X.44,HEX SER WSHR,TAPTITE 2,GREEN	1.000 EA
09CB3501SP	CONDUIT BOX LID FOR 09CB3001 & 09CB3002	1.000 EA
09GS1013SP	GS FOR 09CB3501, 12CB1500 & 12CB1503 LID	1.000 EA
51XW2520A12	.25-20 X .75, TAPTITE II, HEX WSHR SLTD	2.000 EA
MG1025L14	WILKOFAS, 776.14, GRUNDFOS BLACK	0.070 GA
PK6014	STEEL STRAP FOR 309-312 BASELESS MOTORS	3.000 EA
40PA1017	PACKAGING GROUP, 09 VERT LARGE FLANGE	1.000 EA
19XW3118A08	.31-18 X .50 HEX WASHER HEAD TAPTITE II	3.000 EA
HW2501G25	KEY, 3/8 SQ X 2.875	1.000 EA

**AC Induction Motor Performance Data**

Record # 67912

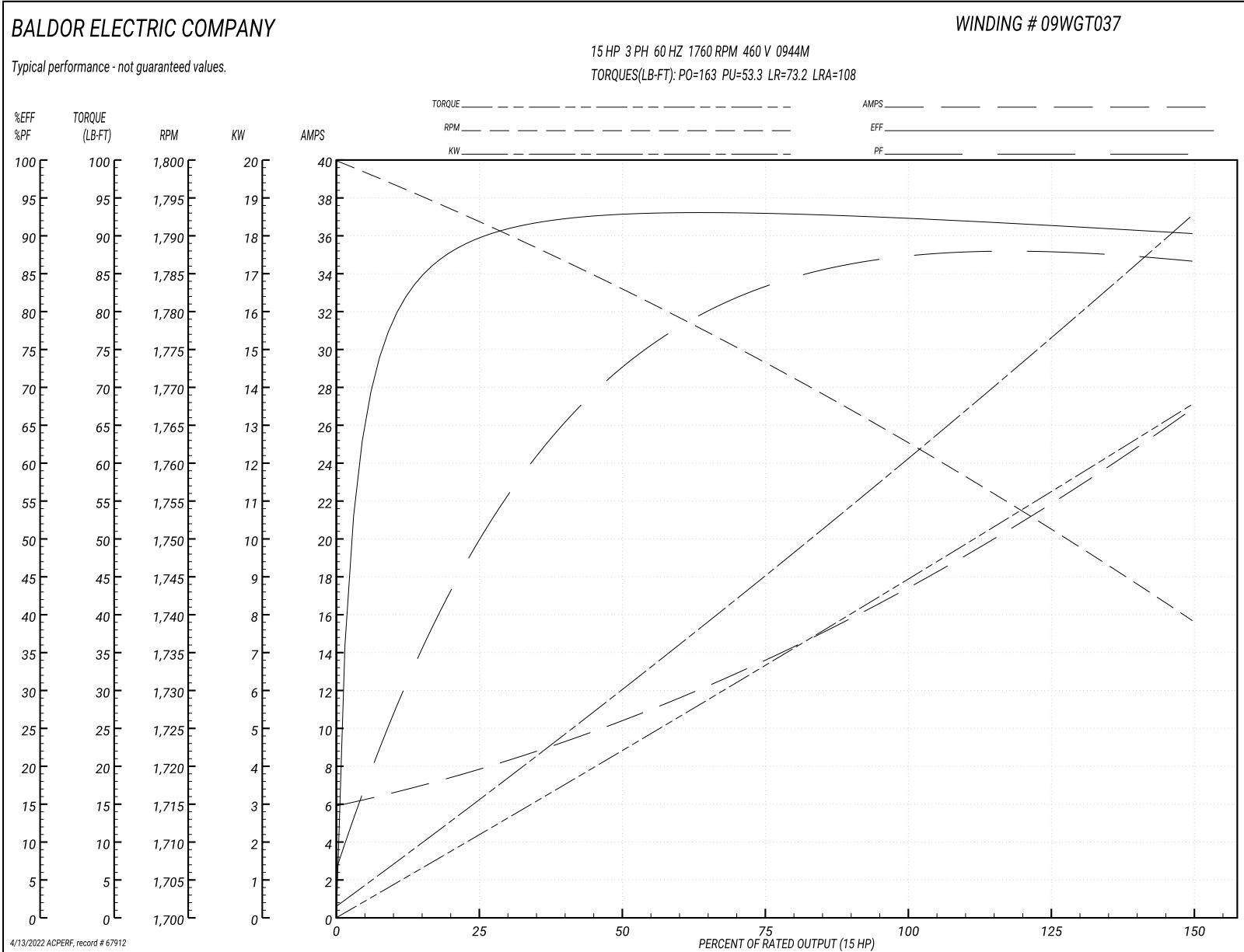
Typical performance - not guaranteed values

<b>Winding: 09WGT037-R006</b>		<b>Type: 0944M</b>		<b>Enclosure: TEFC</b>	
<b>Nameplate Data</b>			<b>460 V, 60 Hz: Single Voltage Motor</b>		
<b>Rated Output (HP)</b>	15	<b>Full Load Torque</b>	44.6 LB-FT		
<b>Volts</b>	230/460	<b>Start Configuration</b>	direct on line		
<b>Full Load Amps</b>	35.2/17.6	<b>Breakdown Torque</b>	163 LB-FT		
<b>R.P.M.</b>	1760	<b>Pull-up Torque</b>	53.3 LB-FT		
<b>Hz</b>	60 <b>Phase</b>	3	<b>Locked-rotor Torque</b>	73.2 LB-FT	
<b>NEMA Design Code</b>	<b>B KVA Code</b>	G	<b>Starting Current</b>	108 A	
<b>Service Factor (S.F.)</b>		1	<b>No-load Current</b>	6.19 A	
<b>NEMA Nom. Eff.</b>	92.4	<b>Power Factor</b>	85	<b>Line-line Res. @ 25°C</b>	0.62 Ω
<b>Rating - Duty</b>	40C AMB-CONT		<b>Temp. Rise @ Rated Load</b>	50°C	
			<b>Locked-rotor Power Factor</b>	32.6	
			<b>Rotor inertia</b>	1.92 LB-FT <sup>2</sup>	

**Load Characteristics 460 V, 60 Hz, 15 HP**

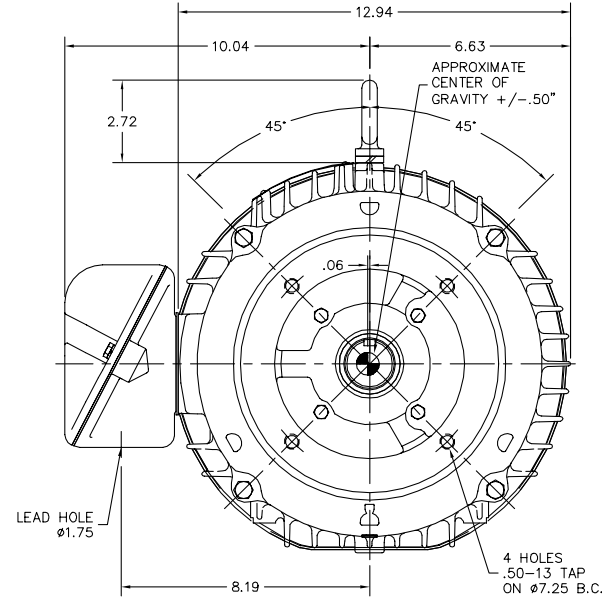
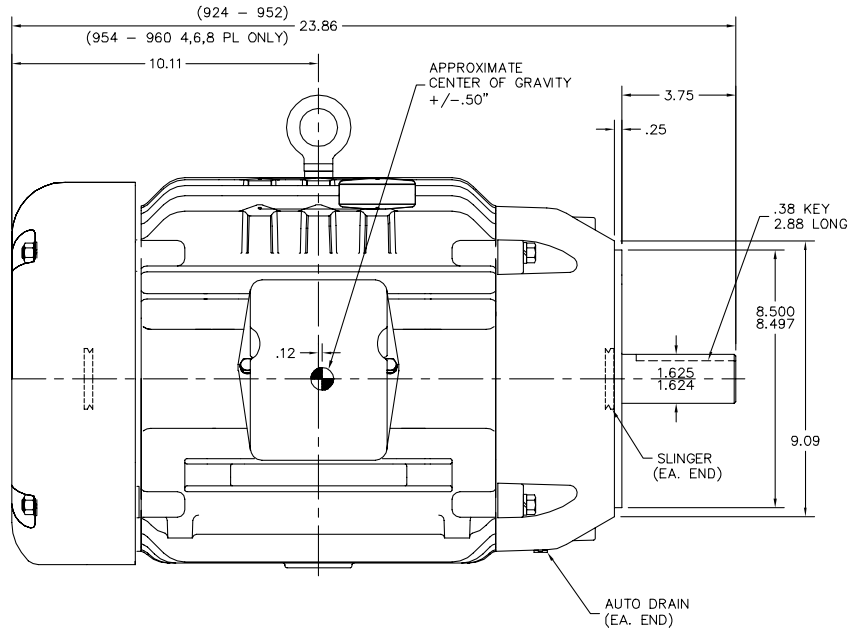
<b>% of Rated Load</b>	<b>25</b>	<b>50</b>	<b>75</b>	<b>100</b>	<b>125</b>	<b>150</b>
<b>Power Factor</b>	52	73	84	86	87	88
<b>Efficiency</b>	89.4	92.6	93	92.5	91.4	90.3
<b>Speed</b>	1792	1783	1773	1763	1752	1739
<b>Line amperes</b>	7.44	10.3	13.5	17.6	22	26.6

Performance Graph at 460V, 60Hz, 15.0HP Typical performance - Not guaranteed values





09LY-001-011



09LY-001-011

CUSTOMER IS RESPONSIBLE FOR DETERMINING THAT THE PRODUCT WILL PERFORM SUITABLY IN THE INTENDED APPLICATION.

REV. DESC: UPDATE 09CB3002 TO 09CB3003, PER NEMA LEAD HOLE		
REV. LTR: B	VERSION: 02	TDR: 000001172477
FILE: \AAA\00255\334	REVISED: 09:54:08 07/13/2021	BY: ENFRAJO
MTL: -		

**BALDOR - RELIANCE**®

VERT TEFC 254-6TC W/SLD BRGS

SH 1 of 1

CD0005

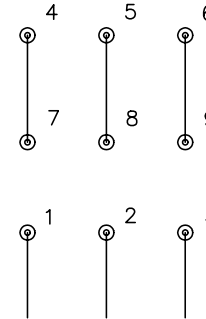


LOW VOLTAGE  
(2Y)



LINE

HIGH VOLTAGE  
(1Y)



LINE

NOTES:

1. INTERCHANGE ANY TWO LINE LEADS TO REVERSE ROTATION.
2. OPTIONAL THERMOSTATS ARE PROVIDED WHEN SPECIFIED.
3. ACTUAL NUMBER OF INTERNAL PARALLEL CIRCUITS MAY BE A MULTIPLE OF THOSE SHOWN ABOVE.
4. LEAD COLORS ARE OPTIONAL. LEADS MUST ALWAYS BE NUMBERED AS SHOWN.

REV. DESC: REVISE TO SHOW OPTIONAL COLORS			
REV. LTR: E	BY: JLP	REVISED: 01/19/99 10:15	TDR: 0171435
90000		FILE: AAA00005140	MDL: -
		MTL: -	

**BALDOR ELECTRIC Co.**

3PH, DV, 9 LEADS

CD0005

Marketing maintained PDF of MN416:

<http://www.baldor.com/support/Literature/Load.ashx/MN416?ManNumber=MN416>