

**BALDOR® • RELIANCE** 

**Product Information Packet**

**VXT3156T**

**15HP, 1175RPM, 3PH, 60HZ, 284TC, 1046M, TEFC, F**

Part Detail							
Revision:	C	Status:	PRD/A	Change #:		Proprietary:	No
Type:	AC	Elec. Spec:	10WGY561	CD Diagram:	CD0180	Mfg Plant:	
Mech. Spec:		Layout:	10LYC153	Poles:	06	Created Date:	12-03-2020
Base:		Eff. Date:	06-25-2021	Leads:	9#10		

Specs			
Catalog Number:	VXT3156T	Electrically Isolated Bearing:	Not Electrically Isolated
Enclosure:	TEFC	Feedback Device:	NO FEEDBACK
Frame:	284TC	Heater Indicator:	No Heater
Frame Material:	Iron	Insulation Class:	F
Output @ Frequency:	15.000 HP @ 60 HZ	Inverter Code:	Inverter Duty
Synchronous Speed @ Frequency:	1200 RPM @ 60 HZ	IP Rating:	NONE
Voltage @ Frequency:	230.0 V @ 60 HZ	KVA Code:	H
	460.0 V @ 60 HZ	Lifting Lugs:	Standard Lifting Lugs
XP Class and Group:	CLI GP A,B,C,D	Locked Bearing Indicator:	Locked Bearing
XP Division:	Division II	Motor Lead Termination:	Flying Leads
Agency Approvals:	CCSA US	Motor Type:	1046M
	CSA EEV	Mounting Arrangement:	F1
	NEMA PREMIUM	Power Factor:	73
	UR	Product Family:	General Purpose
Auxillary Box:	No Auxillary Box	Pulley Face Code:	C-Face
Auxillary Box Lead Termination:	None	Rodent Screen:	None
Base Indicator:	No Mounting	Shaft Ground Indicator:	No Shaft Grounding
Bearing Grease Type:	Polyrex EM (-20F +300F)	Shaft Rotation:	Reversible

<b>Blower:</b>	None	<b>Speed Code:</b>	Single Speed
<b>Constant Torque Speed Range:</b>	3	<b>Motor Standards:</b>	NEMA
<b>Current @ Voltage:</b>	42.000 A @ 208.0 V	<b>Starting Method:</b>	Direct on line
	42.000 A @ 230.0 V	<b>Thermal Device - Bearing:</b>	None
	21.000 A @ 460.0 V	<b>Thermal Device - Winding:</b>	None
<b>Design Code:</b>	A	<b>Vibration Sensor Indicator:</b>	No Vibration Sensor
<b>Drip Cover:</b>	No Drip Cover	<b>Winding Thermal 1:</b>	None
<b>Duty Rating:</b>	CONT	<b>Winding Thermal 2:</b>	None
		<b>XP Temp Code:</b>	T3C

Nameplate NP4163L			
CAT.NO.	VXT3156T	I.P.	54
SPEC.	10-0000-1859	ENCL	TEFC
FRAME	284TC	H.P.	15
VOLTS	230/460	P.F.	73
F.L. AMPS	42/21	RATING	40C AMB-CONT
R.P.M.	1175	USABLE AT 208V	42
HZ.	60	PH.	3
SER.F.	1.15	DES.	A
NEMA NOM. EFF.	91.7	WKT2	4.9
DE	6311	ODE	6309
MAG. CUR.	22/11	TO	90
INV TYPE	PWM	CHP	60
CT	3	TO	60
CC	010A	VT	3
		TO	60
		T. CODE	T3A
		SN	
	USABLE AT 50 HZ 10HP 190/380V		
	36.4/18.2A		

Parts List		
Part Number	Description	Quantity
SA389482	SA 10-0000-1859	1.000 EA
RA379866	RA 10-0000-1859	1.000 EA
LB1115N	LABEL,LIFTING DEVICE (ON ROLLS)	1.000 EA
LB1119N	WARNING LABEL	1.000 EA
LC0181	CONNECTION LABEL	1.000 EA
LB1449	DIV-2/NEC WARNING LABEL	1.000 EA
NP4163L	SS CP INV DIV-2 UL CSA-C US EEV PREM, DI	1.000 EA
85XU0407S04	4X1/4 U DRIVE PIN STAINLESS	2.000 EA
MN416A01	TAG-INSTAL-MAINT no wire (2100/bx) 4/22	1.000 EA
10FH4000	310 FAN HOUSING STAMPED	1.000 EA
51XF2520A08	SCREW, HEX SER SLT HD, ZN 1/4-20 X .50 L	4.000 EA
09FN3001B02	EXTERNAL FAN, PLASTIC (COMES W/SCREW FRO	1.000 EA
HW2500A25	WOODRUFF KEY USA #1008 #BLOW CARBON STEE	1.000 EA
MJ1000A02	GREASE, MOBIL POLYREX EM - 124047	0.130 LB
10EP1106A81	FREP TEFC W/"O" DRAIN W/O RET RING HLS	1.000 EA
10XN3816K32	BOLT, 3/8-16X2 HH YZ(5)	4.000 EA
HW1001A38	LOCKWASHER 3/8, ZINC PLT .688 OD, .382 I	4.000 EA
HW4600B67	V-RING SLINGER 1.770 X 2.170 X .28 VITON	1.000 EA
HW5100A11	W3917-042 WVY WSHR (WB)	1.000 EA
HA4017A11	1/8 X 2.75 GREASE EXT (F/S)	1.000 EA
HA4051A00	PLASTIC CAP FOR GREASE FITTING	1.000 EA
HW4500A21	1618BALEMITE FITTING 825 UNIVERSAL	1.000 EA
HW4500A17	317400 ALEMITE GREASE RELIEF	1.000 EA
HA4066A01	PUSH IN T-DRAIN FITTING (BLACK)	1.000 EA

Parts List (continued)		
Part Number	Description	Quantity
10EP1305A149	PU ENDPLATE, MACH	1.000 EA
HW1001A38	LOCKWASHER 3/8, ZINC PLT .688 OD, .382 I	4.000 EA
10XN3816K28	3/8-16 X 1.75 HEX HD CAP SCREW, GRADE 5	4.000 EA
HW4600B40	V-RING SLINGER 2.000 X 2.680 X .28 VITON	1.000 EA
10XN3118K40	5/16-18 X 2.50" HEX HD, GRADE 5	4.000 EA
HW1001A31	LOCKWASHER 5/16, ZINC PLT.591 OD, .319 I	4.000 EA
HA4051A00	PLASTIC CAP FOR GREASE FITTING	1.000 EA
HW4500A03	GREASE FITTING, .125 NPT 1610(ALEMITE) 8	1.000 EA
HW4500A17	317400 ALEMITE GREASE RELIEF	1.000 EA
HA4066A01	PUSH IN T-DRAIN FITTING (BLACK)	1.000 EA
10CB3000SP	KOBX, CAST W/2.00 LEAD HOLE	1.000 EA
09GS1000SP	GASKET-CONDUIT BOX, 1/16 THICK LEXIDE	1.000 EA
10XN3118K12	5/16-18 X .75 GRADE 5, ZINC PLATED	4.000 EA
HW1001A31	LOCKWASHER 5/16, ZINC PLT.591 OD, .319 I	4.000 EA
WD1000B25	GND LUG, BURNDY L125HP OR T&B L125HP-BB	1.000 EA
19XW3118G08	.31-18X.50,HEX WSHR HD,TAPTITE 2,GREEN	1.000 EA
10CB3500SP	CONDUIT BOX LID, CAST	1.000 EA
10GS1000SP	GASKET, CONDUIT BOX LID	1.000 EA
51XW2520A12	.25-20 X .75, TAPTITE II, HEX WSHR SLTD	4.000 EA
MG1025L14	WILKOFASST, 776.14, GRUNDFOS BLACK	0.125 GA
PK6014	STEEL STRAP FOR 309-312 BASELESS MOTORS	4.000 EA
12PA1000	PACKAGING GROUP PRINT PK1024A07	1.000 EA
10XN3816K10	BOLT, 3/8-16 X 5/8 HHCS YZ	4.000 EA
HW2501H28	KEY, 1/2 SQ X 3.250	1.000 EA

**AC Induction Motor Performance Data**

Record # 29743

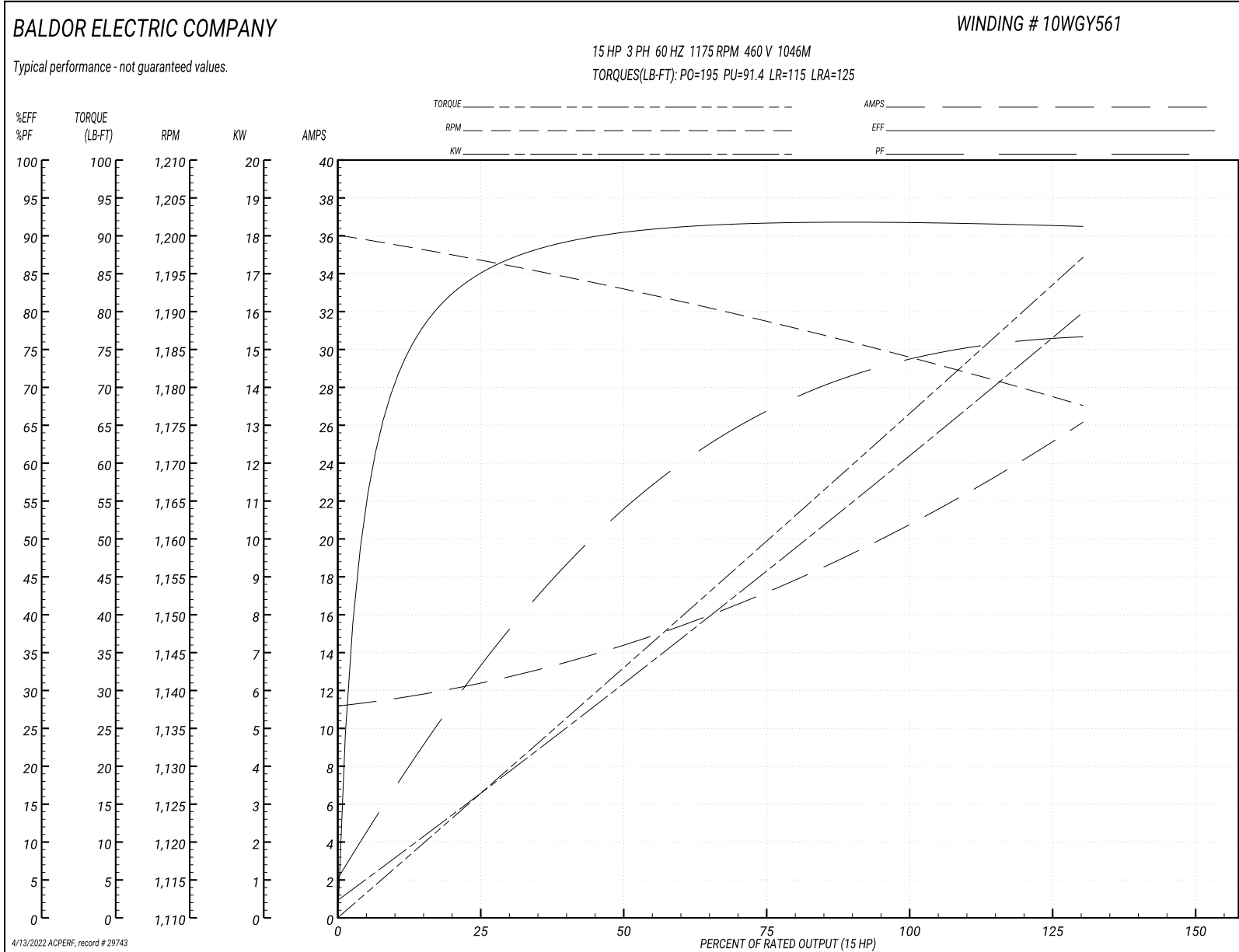
Typical performance - not guaranteed values

<b>Winding: 10WGY561-R001</b>		<b>Type: 1046M</b>		<b>Enclosure: TEFC</b>	
<b>Nameplate Data</b>			<b>460 V, 60 Hz: High Voltage Connection</b>		
<b>Rated Output (HP)</b>	15	<b>Full Load Torque</b>	66.5 LB-FT		
<b>Volts</b>	230/460	<b>Start Configuration</b>	direct on line		
<b>Full Load Amps</b>	42/21	<b>Breakdown Torque</b>	195 LB-FT		
<b>R.P.M.</b>	1175	<b>Pull-up Torque</b>	91.4 LB-FT		
<b>Hz</b>	60 <b>Phase</b>	3	<b>Locked-rotor Torque</b>	115 LB-FT	
<b>NEMA Design Code</b>	A <b>KVA Code</b>	H	<b>Starting Current</b>	125 A	
<b>Service Factor (S.F.)</b>	1.15	<b>No-load Current</b>	11.3 A		
<b>NEMA Nom. Eff.</b>	91.7 <b>Power Factor</b>	73	<b>Line-line Res. @ 25°C</b>	0.56099 Ω	
<b>Rating - Duty</b>	40C AMB-CONT	<b>Temp. Rise @ Rated Load</b>	49°C		
<b>S.F. Amps</b>		<b>Temp. Rise @ S.F. Load</b>	59°C		
		<b>Locked-rotor Power Factor</b>	33		
		<b>Rotor inertia</b>	5.63 LB-FT <sup>2</sup>		

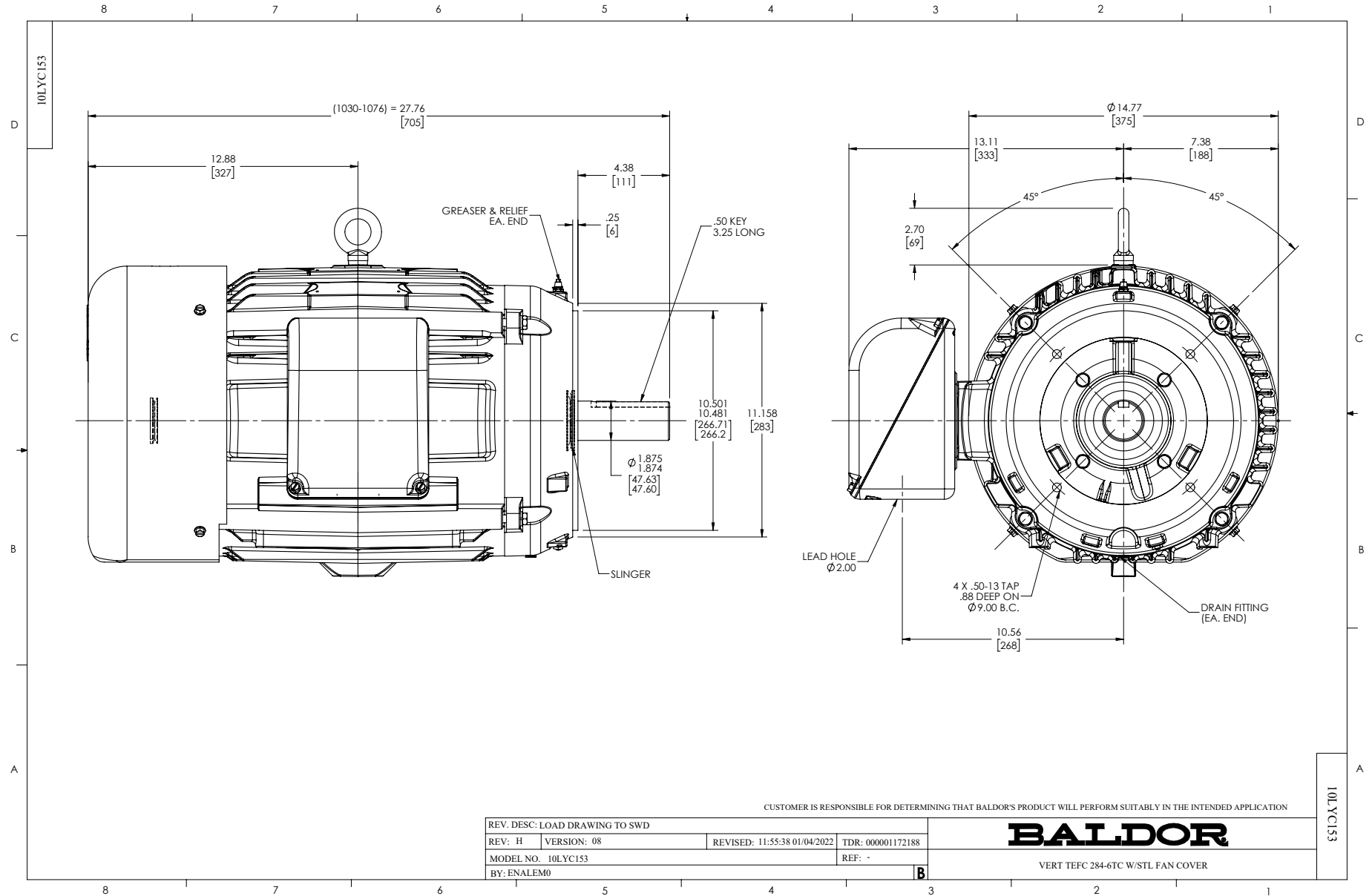
**Load Characteristics 460 V, 60 Hz, 15 HP**

<b>% of Rated Load</b>	<b>25</b>	<b>50</b>	<b>75</b>	<b>100</b>	<b>125</b>	<b>150</b>	<b>S.F.</b>
<b>Power Factor</b>	34	54	66	73	76	77	75
<b>Efficiency</b>	85	90.6	91.8	92	91.5	91.3	91.7
<b>Speed</b>	1197	1193	1188.7	1183.9	1179	1177.5	1181
<b>Line amperes</b>	12.2	14.3	17.3	20.8	25.1	26.1	23.4

Performance Graph at 460V, 60Hz, 15.0HP Typical performance - Not guaranteed values







CD0180



LOW VOLTAGE  
(2D)



HIGH VOLTAGE  
(1D)



NOTES:

1. INTERCHANGE ANY TWO LINE LEADS TO REVERSE ROTATION.
2. OPTIONAL THERMOSTATS ARE PROVIDED WHEN SPECIFIED.
3. ACTUAL NUMBER OF INTERNAL PARALLEL CIRCUITS MAY BE A MULTIPLE OF THOSE SHOWN ABOVE.
4. LEAD COLORS ARE OPTIONAL. LEADS MUST ALWAYS BE NUMBERED AS SHOWN.

CD0180

REV. DESC: ADD CLASS CONN00000007		
REV. LTR: D	VERSION: 01	TDR: 000001099922
FILE: \AAA\00005\148	REVISED: 10:25:29 02/19/2019	BY: ENBRIRO
MTL: -	© □	

**BALDOR - RELIANCE®**

3PH, DV, 9 LEADS, DELTA CONNECTION

SH 1 of 1

Marketing maintained PDF of MN416:

<http://www.baldor.com/support/Literature/Load.ashx/MN416?ManNumber=MN416>