

BALDOR® • RELIANCE 

Product Information Packet

VXT3202T-5

20HP,3520RPM,3PH,60HZ,256TC,TEFC,F1

| Part Detail | | | | | | | |
|-------------|----|-------------|--------------|-------------|--------|---------------|------------|
| Revision: | - | Status: | PRD/A | Change #: | | Proprietary: | No |
| Type: | AC | Elec. Spec: | 09WGZ699 | CD Diagram: | CD0006 | Mfg Plant: | |
| Mech. Spec: | | Layout: | 09LY-001-011 | Poles: | 02 | Created Date: | 06-02-2021 |
| Base: | | Eff. Date: | 08-03-2021 | Leads: | 3#12 | | |

| Specs | | | |
|---------------------------------|-------------------------|---------------------------|-----------------------|
| Catalog Number: | VXT3202T-5 | Feedback Device: | NO FEEDBACK |
| Enclosure: | TEFC | Heater Indicator: | No Heater |
| Frame: | 256TC | Insulation Class: | F |
| Frame Material: | Iron | Inverter Code: | Inverter Duty |
| Output @ Frequency: | 20.000 HP @ 60 HZ | IP Rating: | NONE |
| Synchronous Speed @ Frequency: | 3600 RPM @ 60 HZ | KVA Code: | H |
| Voltage @ Frequency: | 575.0 V @ 60 HZ | Lifting Lugs: | Standard Lifting Lugs |
| XP Class and Group: | CLI GP A,B,C,D | Locked Bearing Indicator: | Locked Bearing |
| XP Division: | Division II | Motor Lead Termination: | Flying Leads |
| Agency Approvals: | CSA EEV | Motor Type: | 0936M |
| | NEMA PREMIUM | Mounting Arrangement: | F1 |
| | NEMA_PREMIUM | Power Factor: | 88 |
| | UR | Product Family: | General Purpose |
| | CCSA US | Pulley Face Code: | C-Face |
| Auxillary Box: | No Auxillary Box | Rodent Screen: | None |
| Auxillary Box Lead Termination: | None | Shaft Ground Indicator: | No Shaft Grounding |
| Base Indicator: | No Mounting | Shaft Rotation: | Reversible |
| Bearing Grease Type: | Polyrex EM (-20F +300F) | Speed Code: | Single Speed |

| | | | |
|---------------------------------------|---------------------------|------------------------------------|---------------------|
| Blower: | None | Motor Standards: | NEMA |
| Constant Torque Speed Range: | 6 | Starting Method: | Direct on line |
| Current @ Voltage: | 18.000 A @ 575.0 V | Thermal Device - Bearing: | None |
| Design Code: | A | Thermal Device - Winding: | None |
| Drip Cover: | No Drip Cover | Vibration Sensor Indicator: | No Vibration Sensor |
| Duty Rating: | CONT | Winding Thermal 1: | None |
| Electrically Isolated Bearing: | Not Electrically Isolated | Winding Thermal 2: | None |
| | | XP Temp Code: | T3 |

| Nameplate NP4224L | | | | | | | |
|-------------------|--------------|----------------|--------------|---------|-----|---------------|----|
| CAT.NO. | VXT3202T-5 | I.P. | 54 | | | | |
| SPEC. | 09-0000-3211 | ENCL | TEFC | | | | |
| FRAME | 256TC | H.P. | 20 | T. CODE | T3 | | |
| VOLTS | 575 | P.F. | 88 | | | | |
| F.L. AMPS | 18 | RATING | 40C AMB-CONT | | | | |
| R.P.M. | 3520 | USABLE AT 208V | | | | | |
| HZ. | 60 | PH. | 3 | CLASS | F | | |
| SER.F. | 1.15 | DES. | A | SL HZ | 1.3 | | |
| NEMA NOM. EFF. | 91 | WV | 0.92 | | | | |
| DE | 6309 | ODE | 6208 | | | | |
| MAG. CUR. | 5.7 | | | | | | |
| INV TYPE | PWM | CHP | 60 | TO | 90 | INV TEMP CODE | T3 |
| CT | 6 | TO | 60 | VT | 6 | TO | 60 |
| CC | 010A | SN | | | | | |
| | | | | | | | |
| | | | | | | | |

| Parts List | | |
|--------------|--|----------|
| Part Number | Description | Quantity |
| SA395573 | SA 09-0000-3211 | 1.000 EA |
| RA386326 | RA 09-0000-3211 | 1.000 EA |
| LB1115N | LABEL,LIFTING DEVICE (ON ROLLS) | 1.000 EA |
| LB1119N | WARNING LABEL | 1.000 EA |
| LC0006 | CONNECTION LABEL | 1.000 EA |
| LB1449 | DIV-2/NEC WARNING LABEL | 1.000 EA |
| NP4224L | SS CP INV DIV-2 UL CSA-C US EEV PREM, DI | 1.000 EA |
| 85XU0407S04 | 4X1/4 U DRIVE PIN STAINLESS | 2.000 EA |
| MN416A01 | TAG-INSTAL-MAINT no wire (2100/bx) 4/22 | 1.000 EA |
| HW3201A01 | 1/2-13 EYEBOLT | 1.000 EA |
| HW1002A63 | WASHER, 5/8 HI-COLLAR SPRKCKWASHER | 1.000 EA |
| 09FH4000SP | 309 FH - BLACK PRIMER | 1.000 EA |
| HW1001A38 | LOCKWASHER 3/8, ZINC PLT .688 OD, .382 I | 4.000 EA |
| XY3816A12 | 3/8-16 FINISHED NUT | 4.000 EA |
| 37FN3002C02 | EXFN, PLASTIC, 6.00 OD, 1.503 ID | 1.000 EA |
| HW2500A25 | WOODRUFF KEY USA #1008 #BLOW CARBON STEE | 1.000 EA |
| MJ1000A02 | GREASE, MOBIL POLYREX EM - 124047 | 0.080 LB |
| 09EP1100A196 | ENDPLATE, MACH | 1.000 EA |
| HA3400A33 | STUD- 3/8-16 X 4.82 HEX WELKER | 4.000 EA |
| HW1001A38 | LOCKWASHER 3/8, ZINC PLT .688 OD, .382 I | 4.000 EA |
| HW4600B44 | V-RING SLINGER 1.500 X 1.810 X .28 VITON | 1.000 EA |
| HW5100A08 | W3118-035 WVY WSHR (WB) | 1.000 EA |
| HA4066A01 | PUSH IN T-DRAIN FITTING (BLACK) | 1.000 EA |
| 09EP1300A164 | FACE MTD. E.P. 309 ENCL 254-6TC 309 BRG- | 1.000 EA |

| Parts List (continued) | | |
|-------------------------------|--|-----------------|
| Part Number | Description | Quantity |
| HW1001A38 | LOCKWASHER 3/8, ZINC PLT .688 OD, .382 I | 4.000 EA |
| 10XN3816K28 | 3/8-16 X 1.75 HEX HD CAP SCREW, GRADE 5 | 4.000 EA |
| HW4600B44 | V-RING SLINGER 1.500 X 1.810 X .28 VITON | 1.000 EA |
| 10XN2520K36 | 1/4-20 X 2.25" HX HD SCRWGRADE 5, ZINC P | 4.000 EA |
| HW1001A25 | LOCKWASHER 1/4, ZINC PLT .493 OD, .255 I | 4.000 EA |
| HA4066A01 | PUSH IN T-DRAIN FITTING (BLACK) | 1.000 EA |
| 09CB3003 | CB W/1.75" DIA LD HL - 37, 39, 307 & 309 | 1.000 EA |
| 09GS1000SP | GASKET-CONDUIT BOX, 1/16 THICK LEXIDE | 1.000 EA |
| 51XW2520A12 | .25-20 X .75, TAPTITE II, HEX WSHR SLTD | 2.000 EA |
| WD1000B16 | T&B CX70TN OR L70P TERMINAL LUG | 1.000 EA |
| 59XW2520G07 | .25-20X.44,HEX SER WSHR,TAPTITE 2,GREEN | 1.000 EA |
| 09CB3501SP | CONDUIT BOX LID FOR 09CB3001 & 09CB3002 | 1.000 EA |
| 09GS1013SP | GS FOR 09CB3501, 12CB1500 & 12CB1503 LID | 1.000 EA |
| 51XW2520A12 | .25-20 X .75, TAPTITE II, HEX WSHR SLTD | 2.000 EA |
| MG1025L14 | WILKOFAS, 776.14, GRUNDFOS BLACK | 0.070 GA |
| PK6014 | STEEL STRAP FOR 309-312 BASELESS MOTORS | 3.000 EA |
| 40PA1017 | PACKAGING GROUP, 09 VERT LARGE FLANGE | 1.000 EA |
| 19XW3118A08 | .31-18 X .50 HEX WASHER HEAD TAPTITE II | 3.000 EA |
| HW2501G25 | KEY, 3/8 SQ X 2.875 | 1.000 EA |

AC Induction Motor Performance Data

Record # 88533

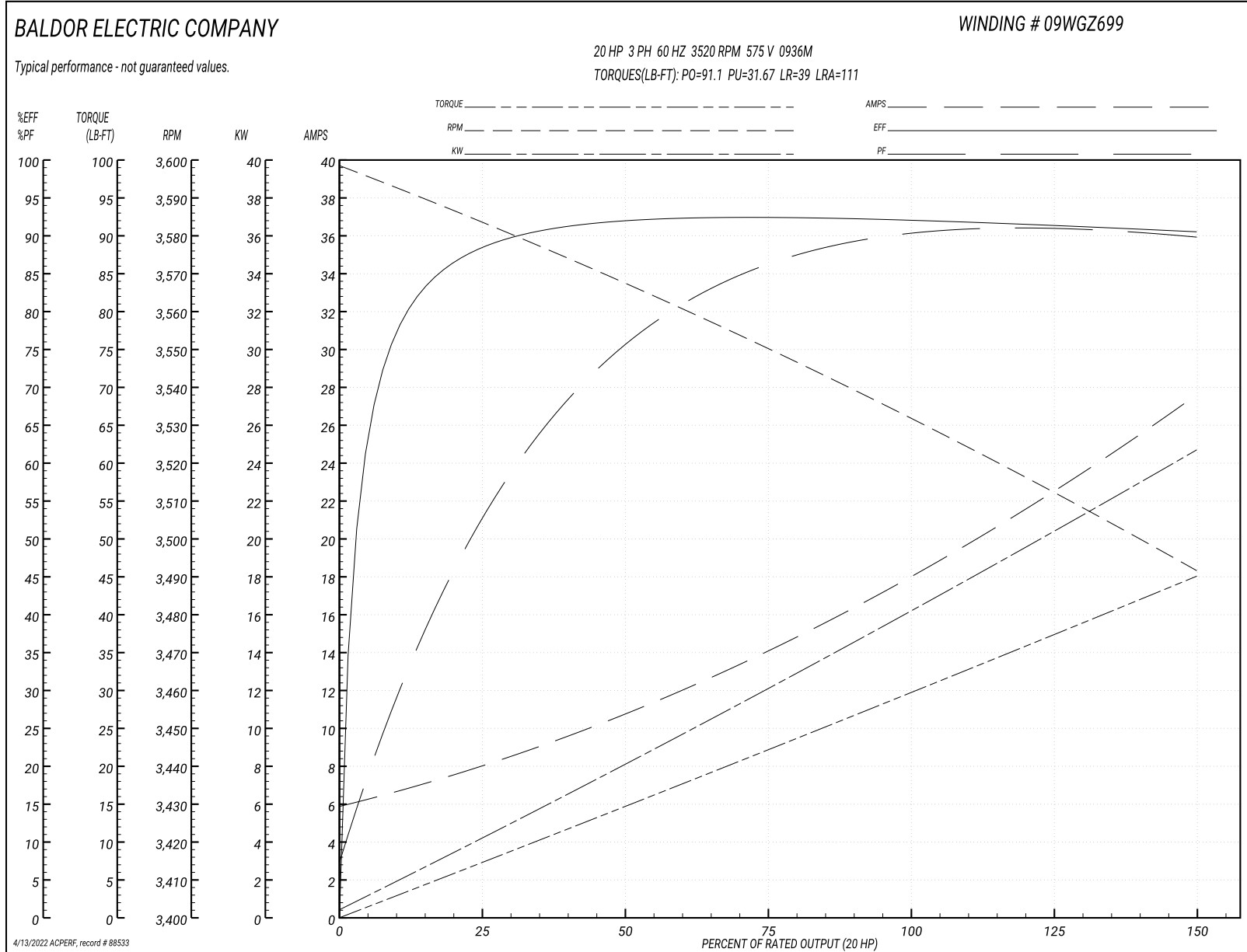
Typical performance - not guaranteed values

| Winding: 09WGZ699-R001 | | Type: 0936M | Enclosure: TEFC | |
|------------------------|-----------------|---------------------------|---|--|
| Nameplate Data | | | 575 V, 60 Hz: Single Voltage Motor | |
| Rated Output (HP) | 20 | Full Load Torque | 29.8 LB-FT | |
| Volts | 575 | Start Configuration | direct on line | |
| Full Load Amps | 18 | Breakdown Torque | 91.1 LB-FT | |
| R.P.M. | 3520 | Pull-up Torque | 31.67 LB-FT | |
| Hz | 60 Phase | Locked-rotor Torque | 39 LB-FT | |
| NEMA Design Code | A KVA Code | Starting Current | 111 A | |
| Service Factor (S.F.) | 1.15 | No-load Current | 6.21 A | |
| NEMA Nom. Eff. | 91 Power Factor | Line-line Res. @ 25°C | 0.74 Ω | |
| Rating - Duty | 40C AMB-CONT | Temp. Rise @ Rated Load | 50°C | |
| S.F. Amps | | Temp. Rise @ S.F. Load | 61°C | |
| | | Locked-rotor Power Factor | 29.7 | |
| | | Rotor inertia | 0.92 lb-ft ² | |

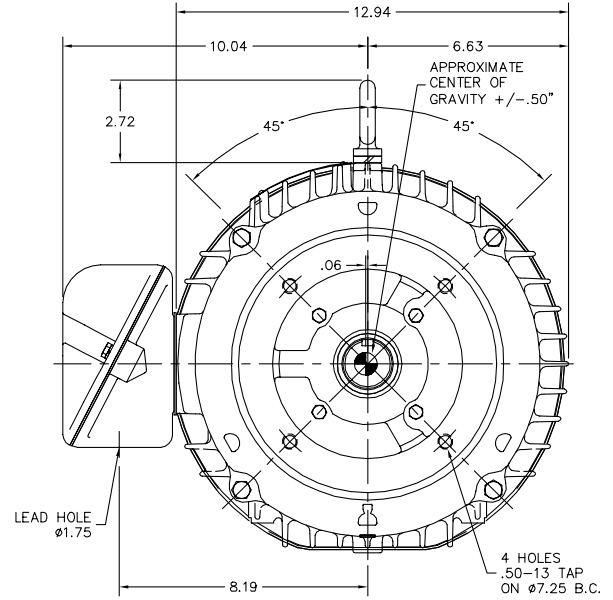
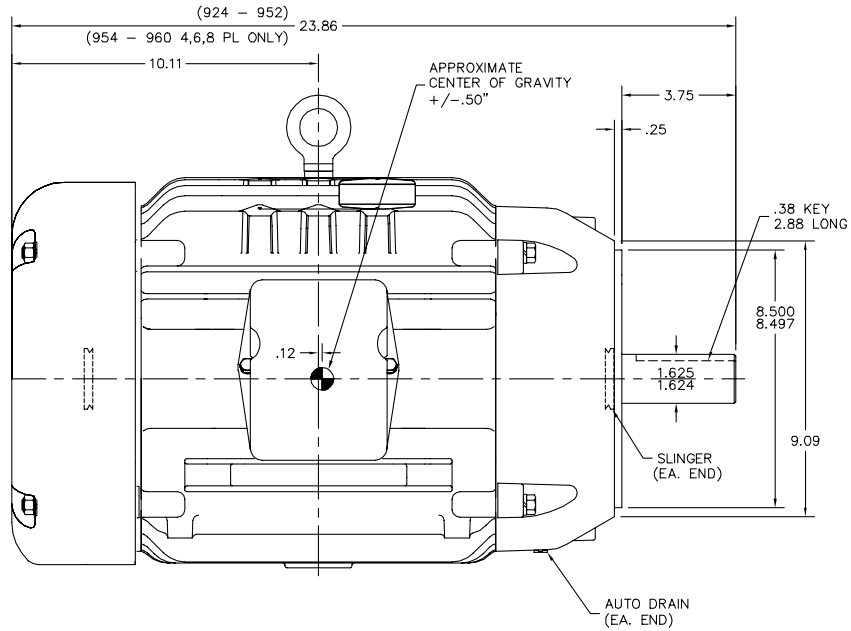
Load Characteristics 575 V, 60 Hz, 20 HP

| % of Rated Load | 25 | 50 | 75 | 100 | 125 | 150 | S.F. |
|-----------------|------|------|------|------|------|------|------|
| Power Factor | 56 | 78 | 86 | 89 | 90 | 91 | 90 |
| Efficiency | 88.2 | 91.7 | 92.3 | 92.1 | 91.5 | 90.5 | 91.7 |
| Speed | 3583 | 3567 | 3550 | 3532 | 3513 | 3491 | 3521 |
| Line amperes | 7.6 | 10.6 | 14.2 | 18.3 | 22.7 | 27.4 | 20.9 |

Performance Graph at 575V, 60Hz, 20.0HP Typical performance - Not guaranteed values



09LY-001-011



09LY-001-011

CUSTOMER IS RESPONSIBLE FOR DETERMINING THAT THE PRODUCT WILL PERFORM SUITABLY IN THE INTENDED APPLICATION.

| | | |
|--|------------------------------|-------------------|
| REV. DESC: UPDATE 09CB3002 TO 09CB3003, PER NEMA LEAD HOLE | VERSION: 02 | TDR: 000001172477 |
| REV. LTR: B | REVISED: 09:54:08 07/13/2021 | BY: ENFRAJJO |
| FILE: \AAA\00255\334 | | |
| MTL: - | | |

BALDOR - RELIANCE[®]
 VERT TEFC 254-6TC W/SLD BRGS
 SH 1 of 1

CD0006



NOTES:

1. THREE LEAD MOTOR MAY BE EITHER WYE CONNECTED OR DELTA CONNECTED.
2. INTERCHANGE ANY TWO LINE LEADS TO REVERSE ROTATION.
3. OPTIONAL THERMOSTATS ARE PROVIDED WHEN SPECIFIED.
4. ACTUAL NUMBER OF INTERNAL PARALLEL CIRCUITS MAY VARY.
5. LEAD COLORS ARE OPTIONAL. LEADS MUST BE NUMBERED AS SHOWN.

CD0006

| | | |
|-----------------------------------|------------------------------|-------------------|
| REV. DESC: ADD CLASS CONN00000007 | | |
| REV. LTR: E | VERSION: 01 | TDR: 000001099922 |
| FILE: \AAA\00005\141 | REVISED: 10:24:49 02/19/2019 | BY: ENBRIRO |
| MTL: - | | |

BALDOR - RELIANCE®

3PH, SV, 3 LEADS, WYE OR DELTA CONNECTED

SH 1 of 1

Marketing maintained PDF of MN416:

<http://www.baldor.com/support/Literature/Load.ashx/MN416?ManNumber=MN416>