

BALDOR® • RELIANCE 

Product Information Packet

VXT3254T-5

25HP, 1770RPM, 3PH, 60HZ, 284TC, 1056M, TEFC, F

Part Detail							
Revision:	-	Status:	PRD/A	Change #:		Proprietary:	No
Type:	AC	Elec. Spec:	10WGZ620	CD Diagram:	CD0006	Mfg Plant:	
Mech. Spec:		Layout:	10LYC153	Poles:	04	Created Date:	05-28-2021
Base:		Eff. Date:	07-26-2021	Leads:	3#10		

Specs			
Catalog Number:	VXT3254T-5		
Frame:	284TC		
Motor Type:	1056M		
Motor Standards:	NEMA		
Starting Method:	Full Voltage		

Parts List		
Part Number	Description	Quantity
SA395581	SA 10-0000-2155	1.000 EA
RA386333	RA 10-0000-2155	1.000 EA
LB1115N	LABEL,LIFTING DEVICE (ON ROLLS)	1.000 EA
LB1119N	WARNING LABEL	1.000 EA
LC0006	CONNECTION LABEL	1.000 EA
LB1449	DIV-2/NEC WARNING LABEL	1.000 EA
NP4224L	SS CP INV DIV-2 UL CSA-C US EEV PREM, DI	1.000 EA
85XU0407S04	4X1/4 U DRIVE PIN STAINLESS	2.000 EA
MN416A01	TAG-INSTAL-MAINT no wire (2100/bx) 4/22	1.000 EA
10FH4000	310 FAN HOUSING STAMPED	1.000 EA
51XF2520A08	SCREW, HEX SER SLT HD, ZN 1/4-20 X .50 L	4.000 EA
09FN3001C02	EXTERNAL FAN, PLASTIC (COMES W/SCREW FRO	1.000 EA
HW2500A25	WOODRUFF KEY USA #1008 #BLOW CARBON STEE	1.000 EA
MJ1000A02	GREASE, MOBIL POLYREX EM - 124047	0.130 LB
10EP1106A81	FREP TEFC W/"O" DRAIN W/O RET RING HLS	1.000 EA
10XN3816K32	BOLT, 3/8-16X2 HH YZ(5)	4.000 EA
HW1001A38	LOCKWASHER 3/8, ZINC PLT .688 OD, .382 I	4.000 EA
HW4600B67	V-RING SLINGER 1.770 X 2.170 X .28 VITON	1.000 EA
HW5100A11	W3917-042 WVY WSHR (WB)	1.000 EA
HA4017A11	1/8 X 2.75 GREASE EXT (F/S)	1.000 EA
HA4051A00	PLASTIC CAP FOR GREASE FITTING	1.000 EA
HW4500A21	1618BALEMITE FITTING 825 UNIVERSAL	1.000 EA
HW4500A17	317400 ALEMITE GREASE RELIEF	1.000 EA
HA4066A01	PUSH IN T-DRAIN FITTING (BLACK)	1.000 EA

Parts List (continued)		
Part Number	Description	Quantity
10EP1305A149	PU ENDPLATE, MACH	1.000 EA
HW1001A38	LOCKWASHER 3/8, ZINC PLT .688 OD, .382 I	4.000 EA
10XN3816K28	3/8-16 X 1.75 HEX HD CAP SCREW, GRADE 5	4.000 EA
HW4600B40	V-RING SLINGER 2.000 X 2.680 X .28 VITON	1.000 EA
10XN3118K40	5/16-18 X 2.50" HEX HD, GRADE 5	4.000 EA
HW1001A31	LOCKWASHER 5/16, ZINC PLT.591 OD, .319 I	4.000 EA
HA4051A00	PLASTIC CAP FOR GREASE FITTING	1.000 EA
HW4500A03	GREASE FITTING, .125 NPT 1610(ALEMITE) 8	1.000 EA
HW4500A17	317400 ALEMITE GREASE RELIEF	1.000 EA
HA4066A01	PUSH IN T-DRAIN FITTING (BLACK)	1.000 EA
10CB3000SP	KOBX, CAST W/2.00 LEAD HOLE	1.000 EA
09GS1000SP	GASKET-CONDUIT BOX, 1/16 THICK LEXIDE	1.000 EA
10XN3118K12	5/16-18 X .75 GRADE 5, ZINC PLATED	4.000 EA
HW1001A31	LOCKWASHER 5/16, ZINC PLT.591 OD, .319 I	4.000 EA
WD1000B25	GND LUG, BURNDY L125HP OR T&B L125HP-BB	1.000 EA
19XW3118G08	.31-18X.50,HEX WSHR HD,TAPTITE 2,GREEN	1.000 EA
10CB3500SP	CONDUIT BOX LID, CAST	1.000 EA
10GS1000SP	GASKET, CONDUIT BOX LID	1.000 EA
51XW2520A12	.25-20 X .75, TAPTITE II, HEX WSHR SLTD	4.000 EA
MG1025L14	WILKOFASST, 776.14, GRUNDFOS BLACK	0.125 GA
PK6014	STEEL STRAP FOR 309-312 BASELESS MOTORS	4.000 EA
12PA1000	PACKAGING GROUP PRINT PK1024A07	1.000 EA
10XN3816K10	BOLT, 3/8-16 X 5/8 HHCS YZ	4.000 EA
HW2501H28	KEY, 1/2 SQ X 3.250	1.000 EA

AC Induction Motor Performance Data

Record # 71378

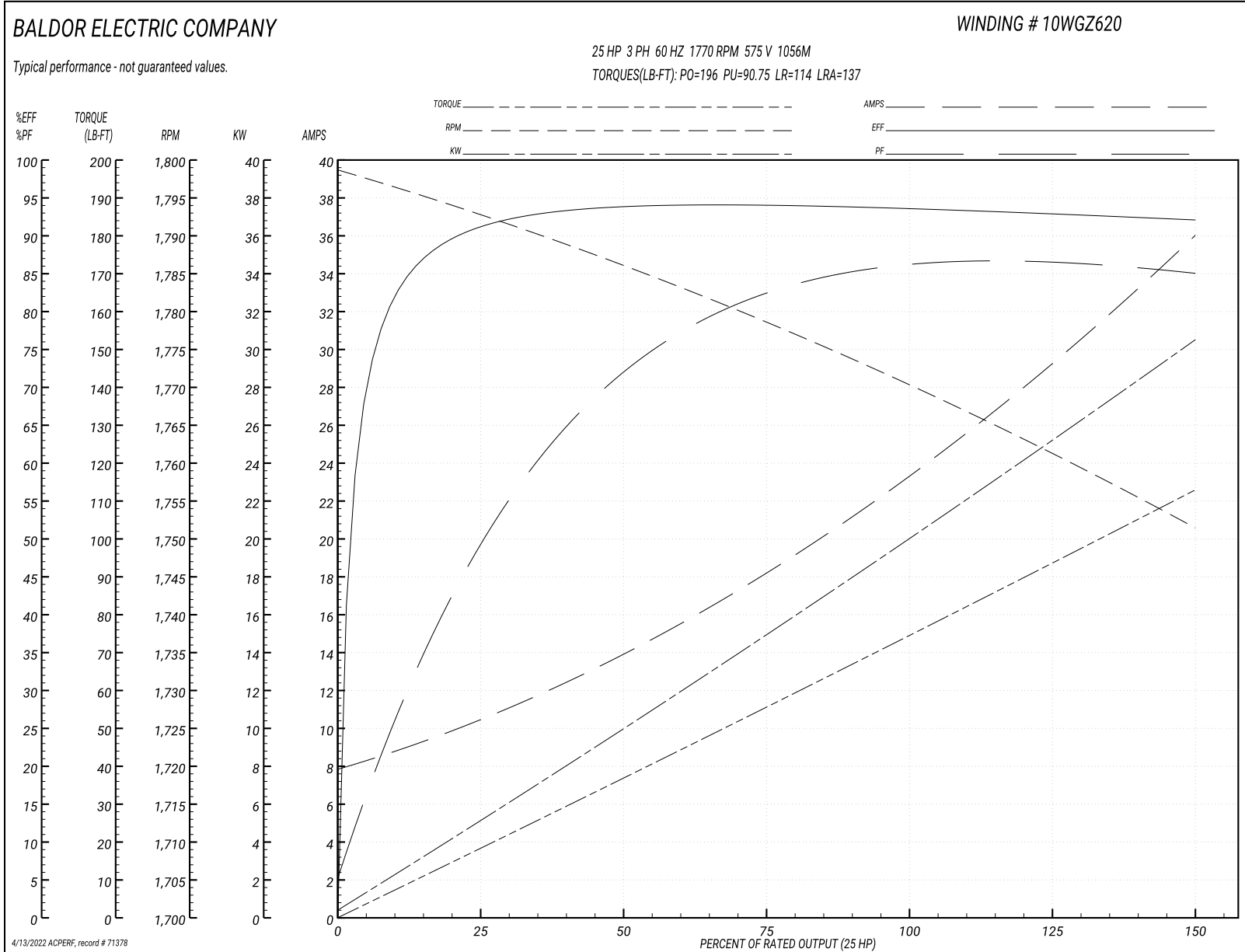
Typical performance - not guaranteed values

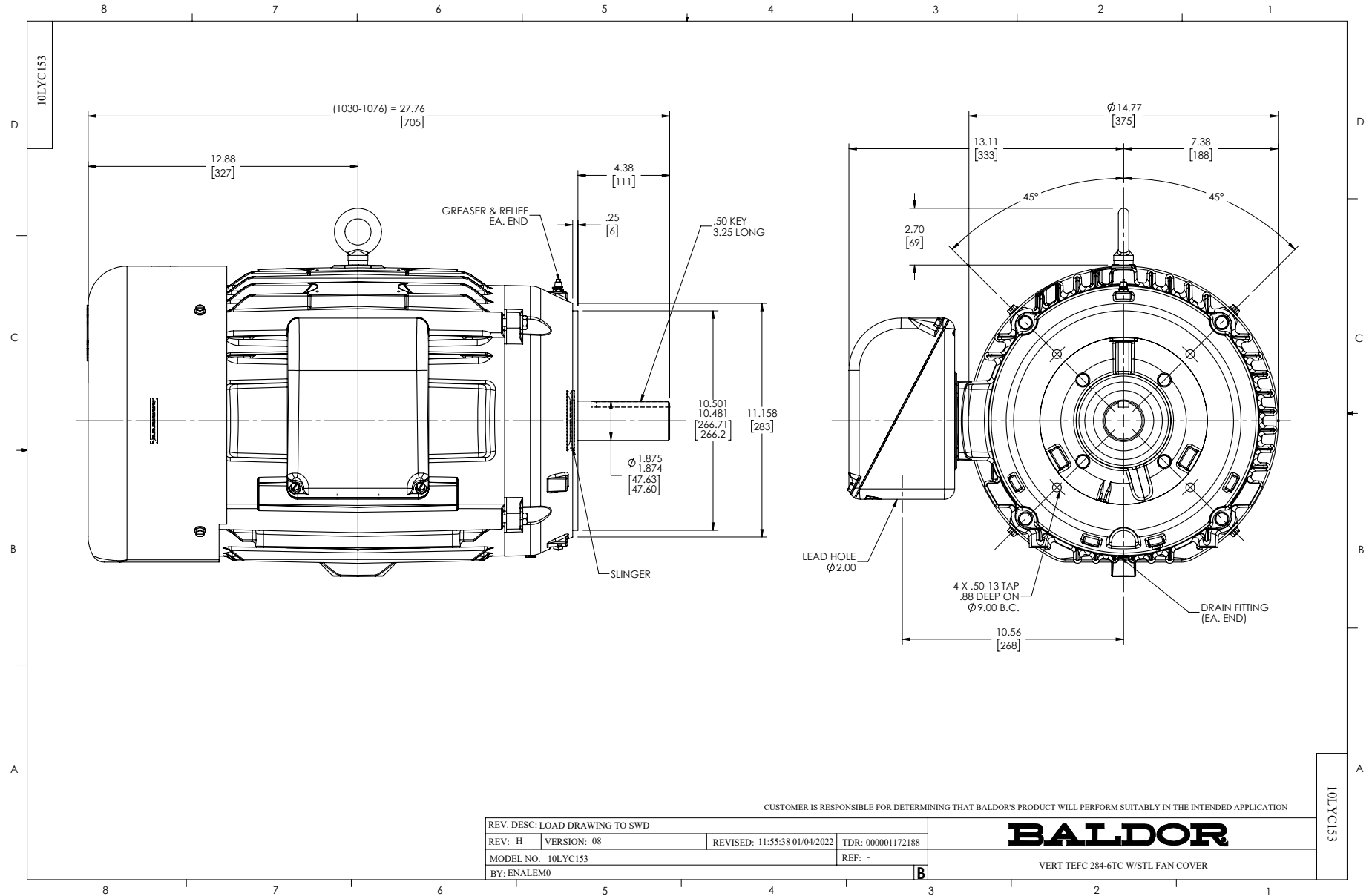
Winding: 10WGZ620-R004		Type: 1056M	Enclosure: TEFC	
Nameplate Data			575 V, 60 Hz: Single Voltage Motor	
Rated Output (HP)	25	Full Load Torque	74.36 LB-FT	
Volts	575	Start Configuration	direct on line	
Full Load Amps	24	Breakdown Torque	196 LB-FT	
R.P.M.	1770	Pull-up Torque	90.75 LB-FT	
Hz	60 Phase	Locked-rotor Torque	114 LB-FT	
NEMA Design Code	B KVA Code	Starting Current	137 A	
Service Factor (S.F.)	1	No-load Current	8.24 A	
NEMA Nom. Eff.	93.6 Power Factor	Line-line Res. @ 25°C	0.463 Ω	
Rating - Duty	40C AMB-CONT	Temp. Rise @ Rated Load	54°C	
S.F. Amps		Temp. Rise @ S.F. Load	67°C	
		Locked-rotor Power Factor	30.4	
		Rotor inertia	4.46 LB-FT ²	

Load Characteristics 575 V, 60 Hz, 25 HP

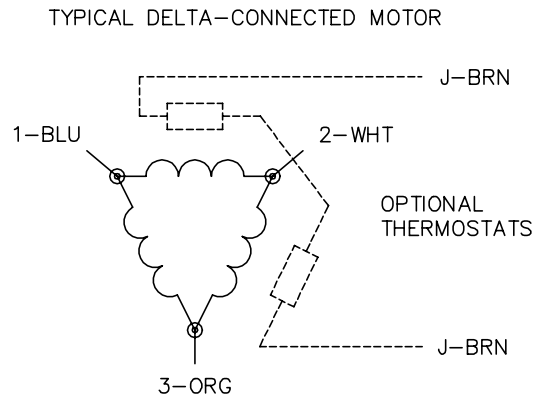
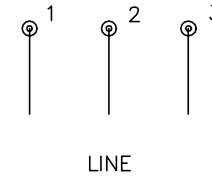
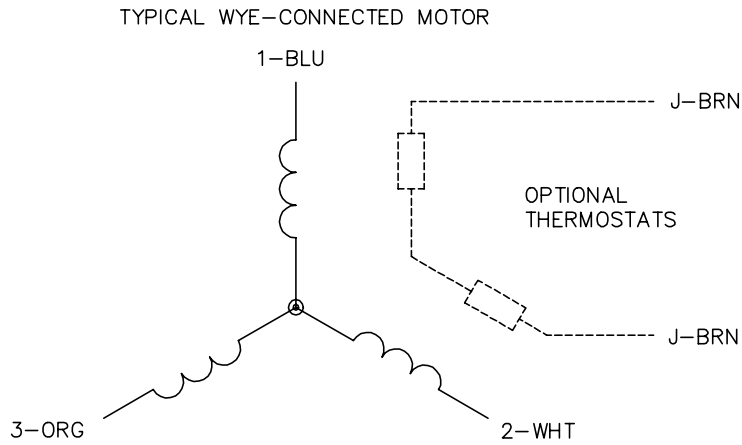
% of Rated Load	25	50	75	100	125	150
Power Factor	51	73	82	85	86	86
Efficiency	90.9	93.7	94.1	93.6	92.8	92.1
Speed	1793	1785	1779	1771	1762	1751
Line amperes	9.93	13.55	18.28	23.59	29.19	35.78

Performance Graph at 575V, 60Hz, 25.0HP Typical performance - Not guaranteed values





CD0006



NOTES:

1. THREE LEAD MOTOR MAY BE EITHER WYE CONNECTED OR DELTA CONNECTED.
2. INTERCHANGE ANY TWO LINE LEADS TO REVERSE ROTATION.
3. OPTIONAL THERMOSTATS ARE PROVIDED WHEN SPECIFIED.
4. ACTUAL NUMBER OF INTERNAL PARALLEL CIRCUITS MAY VARY.
5. LEAD COLORS ARE OPTIONAL. LEADS MUST BE NUMBERED AS SHOWN.

CD0006

REV. DESC: ADD CLASS CONN00000007		
REV. LTR: E	VERSION: 01	TDR: 000001099922
FILE: \AAA\00005\141	REVISED: 10:24:49 02/19/2019	BY: ENBRIRO
MTL: -	© □	

BALDOR - RELIANCE®

3PH, SV, 3 LEADS, WYE OR DELTA CONNECTED

SH 1 of 1

Marketing maintained PDF of MN416:

<http://www.baldor.com/support/Literature/Load.ashx/MN416?ManNumber=MN416>