

**BALDOR® • RELIANCE** 

**Product Information Packet**

**VXT3302TS**

**30HP,3525RPM,3PH,60HZ,286TSC,1048M,TEFC**

| Part Detail |    |             |            |             |        |               |            |
|-------------|----|-------------|------------|-------------|--------|---------------|------------|
| Revision:   | D  | Status:     | PRD/A      | Change #:   |        | Proprietary:  | No         |
| Type:       | AC | Elec. Spec: | 10WGZ501   | CD Diagram: | CD0180 | Mfg Plant:    |            |
| Mech. Spec: |    | Layout:     | 10LYE310   | Poles:      | 02     | Created Date: | 08-03-2020 |
| Base:       |    | Eff. Date:  | 06-30-2021 | Leads:      | 9#10   |               |            |

| Specs                           |                         |                           |                       |
|---------------------------------|-------------------------|---------------------------|-----------------------|
| Catalog Number:                 | VXT3302TS               | Feedback Device:          | NO FEEDBACK           |
| Enclosure:                      | TEFC                    | Heater Indicator:         | No Heater             |
| Frame:                          | 286TSC                  | Insulation Class:         | F                     |
| Frame Material:                 | Iron                    | Inverter Code:            | Inverter Duty         |
| Output @ Frequency:             | 30.000 HP @ 60 HZ       | IP Rating:                | NONE                  |
| Synchronous Speed @ Frequency:  | 3600 RPM @ 60 HZ        | KVA Code:                 | G                     |
| Voltage @ Frequency:            | 460.0 V @ 60 HZ         | Lifting Lugs:             | Standard Lifting Lugs |
|                                 | 230.0 V @ 60 HZ         | Locked Bearing Indicator: | Locked Bearing        |
| XP Class and Group:             | CLI GP A,B,C,D          | Motor Lead Termination:   | Flying Leads          |
| XP Division:                    | Division II             | Motor Type:               | 1048M                 |
| Agency Approvals:               | CCSA US                 | Mounting Arrangement:     | F1                    |
|                                 | CSA EEV                 | Power Factor:             | 90                    |
|                                 | UR                      | Product Family:           | General Purpose       |
| Auxillary Box:                  | No Auxillary Box        | Pulley Face Code:         | C-Face                |
| Auxillary Box Lead Termination: | None                    | Rodent Screen:            | None                  |
| Base Indicator:                 | No Mounting             | Shaft Ground Indicator:   | No Shaft Grounding    |
| Bearing Grease Type:            | Polyrex EM (-20F +300F) | Shaft Rotation:           | Reversible            |
| Blower:                         | None                    | Speed Code:               | Single Speed          |

|                                       |                           |                                    |                     |
|---------------------------------------|---------------------------|------------------------------------|---------------------|
| <b>Constant Torque Speed Range:</b>   | 6                         | <b>Motor Standards:</b>            | NEMA                |
| <b>Current @ Voltage:</b>             | 76.000 A @ 208.0 V        | <b>Starting Method:</b>            | Direct on line      |
|                                       | 68.000 A @ 230.0 V        | <b>Thermal Device - Bearing:</b>   | None                |
|                                       | 34.000 A @ 460.0 V        | <b>Thermal Device - Winding:</b>   | None                |
| <b>Design Code:</b>                   | B                         | <b>Vibration Sensor Indicator:</b> | No Vibration Sensor |
| <b>Drip Cover:</b>                    | No Drip Cover             | <b>Winding Thermal 1:</b>          | None                |
| <b>Duty Rating:</b>                   | CONT                      | <b>Winding Thermal 2:</b>          | None                |
| <b>Electrically Isolated Bearing:</b> | Not Electrically Isolated | <b>XP Temp Code:</b>               | T3                  |

|                              |            |  |               |  |                       |              |                   |              |      |  |  |
|------------------------------|------------|--|---------------|--|-----------------------|--------------|-------------------|--------------|------|--|--|
| <b>Nameplate NP4163L</b>     |            |  |               |  |                       |              |                   |              |      |  |  |
| <b>CAT.NO.</b>               | VXT3302TS  |  |               |  |                       |              | <b>I.P.</b>       | 54           |      |  |  |
| <b>SPEC.</b>                 | 10-0001436 |  |               |  |                       |              | <b>ENCL</b>       | TEFC         |      |  |  |
| <b>FRAME</b>                 | 286TSC     |  |               |  | <b>H.P.</b>           | 30           |                   |              |      |  |  |
| <b>VOLTS</b>                 | 230/460    |  |               |  | <b>P.F.</b>           | 90           |                   |              |      |  |  |
| <b>F.L. AMPS</b>             | 68/34      |  |               |  | <b>RATING</b>         | 40C AMB-CONT |                   |              |      |  |  |
| <b>R.P.M.</b>                | 3525       |  |               |  | <b>USABLE AT 208V</b> | 76           |                   |              |      |  |  |
| <b>HZ.</b>                   | 60         |  |               |  | <b>PH.</b>            | 3            |                   | <b>CLASS</b> | F    |  |  |
| <b>SER.F.</b>                | 1.15       |  |               |  | <b>DES.</b>           | B            |                   | <b>SL HZ</b> | 1.3  |  |  |
| <b>NEMA NOM. EFF.</b>        | 91.7       |  |               |  | <b>Wk2</b>            | 2.07         |                   | <b>ODE</b>   | 6309 |  |  |
| <b>DE</b>                    | 6311       |  |               |  |                       |              |                   |              |      |  |  |
| <b>MAG. CUR.</b>             | 17.4/8.7   |  |               |  |                       |              |                   |              |      |  |  |
| <b>INV TYPE</b>              | PWM        |  | <b>CHP</b> 60 |  | <b>TO</b> 90          |              | <b>T. CODE</b> T3 |              |      |  |  |
| <b>CT</b>                    | 6          |  | <b>TO</b> 60  |  | <b>VT</b> 3           |              | <b>TO</b> 60      |              |      |  |  |
| <b>CC</b>                    | 010A       |  | <b>SN</b>     |  |                       |              |                   |              |      |  |  |
| USABLE AT 50HZ 25HP 190/380V |            |  |               |  |                       |              |                   |              |      |  |  |
| 70/35A SF1.0                 |            |  |               |  |                       |              |                   |              |      |  |  |

| Parts List  |                                          |          |
|-------------|------------------------------------------|----------|
| Part Number | Description                              | Quantity |
| SA384812    | SA 10-0001436                            | 1.000 EA |
| RA375041    | RA 10-0001436                            | 1.000 EA |
| LB1115N     | LABEL,LIFTING DEVICE (ON ROLLS)          | 1.000 EA |
| LB1119N     | WARNING LABEL                            | 1.000 EA |
| LC0181      | CONNECTION LABEL                         | 1.000 EA |
| LB1449      | DIV-2/NEC WARNING LABEL                  | 1.000 EA |
| NP4163L     | SS CP INV DIV-2 UL CSA-C US EEV PREM, DI | 1.000 EA |
| 85XU0407S04 | 4X1/4 U DRIVE PIN STAINLESS              | 2.000 EA |
| MN416A01    | TAG-INSTAL-MAINT no wire (2100/bx) 4/22  | 1.000 EA |
| 10FH4000    | 310 FAN HOUSING STAMPED                  | 1.000 EA |
| 51XF2520A08 | SCREW, HEX SER SLT HD, ZN 1/4-20 X .50 L | 4.000 EA |
| 37FN3002B03 | EXFN, PLASTIC, 7.50 OD, 1.690 ID         | 1.000 EA |
| HW2500A25   | WOODRUFF KEY USA #1008 #BLOW CARBON STEE | 1.000 EA |
| 51XB1214A20 | 12-14X1.25 HXWSSLD SERTYB                | 1.000 EA |
| MJ1000A02   | GREASE, MOBIL POLYREX EM - 124047        | 0.130 LB |
| 10EP1106A81 | FREP TEFC W/"O" DRAIN W/O RET RING HLS   | 1.000 EA |
| 10XN3816K32 | BOLT, 3/8-16X2 HH YZ(5)                  | 4.000 EA |
| HW1001A38   | LOCKWASHER 3/8, ZINC PLT .688 OD, .382 I | 4.000 EA |
| HW4600B67   | V-RING SLINGER 1.770 X 2.170 X .28 VITON | 1.000 EA |
| HW5100A11   | W3917-042 WVY WSHR (WB)                  | 1.000 EA |
| HA4017A11   | 1/8 X 2.75 GREASE EXT (F/S)              | 1.000 EA |
| HA4051A00   | PLASTIC CAP FOR GREASE FITTING           | 1.000 EA |
| HW4500A21   | 1618BALEMITE FITTING 825 UNIVERSAL       | 1.000 EA |
| HW4500A17   | 317400 ALEMITE GREASE RELIEF             | 1.000 EA |

| Parts List (continued) |                                          |          |
|------------------------|------------------------------------------|----------|
| Part Number            | Description                              | Quantity |
| HA4066A01              | PUSH IN T-DRAIN FITTING (BLACK)          | 1.000 EA |
| 10EP1305A149           | PU ENDPLATE, MACH                        | 1.000 EA |
| HW1001A38              | LOCKWASHER 3/8, ZINC PLT .688 OD, .382 I | 4.000 EA |
| 10XN3816K28            | 3/8-16 X 1.75 HEX HD CAP SCREW, GRADE 5  | 4.000 EA |
| HW4600B40              | V-RING SLINGER 2.000 X 2.680 X .28 VITON | 1.000 EA |
| 10XN3118K40            | 5/16-18 X 2.50" HEX HD, GRADE 5          | 4.000 EA |
| HW1001A31              | LOCKWASHER 5/16, ZINC PLT.591 OD, .319 I | 4.000 EA |
| HA4051A00              | PLASTIC CAP FOR GREASE FITTING           | 1.000 EA |
| HW4500A03              | GREASE FITTING, .125 NPT 1610(ALEMITE) 8 | 1.000 EA |
| HW4500A17              | 317400 ALEMITE GREASE RELIEF             | 1.000 EA |
| HA4066A01              | PUSH IN T-DRAIN FITTING (BLACK)          | 1.000 EA |
| 10CB3000               | CONDUIT BOX, MACH W/2.00 LEAD HOLE       | 1.000 EA |
| 09GS1000SP             | GASKET-CONDUIT BOX, 1/16 THICK LEXIDE    | 1.000 EA |
| 10XN3118K12            | 5/16-18 X .75 GRADE 5, ZINC PLATED       | 4.000 EA |
| HW1001A31              | LOCKWASHER 5/16, ZINC PLT.591 OD, .319 I | 4.000 EA |
| WD1000B25              | GND LUG, BURNDY L125HP OR T&B L125HP-BB  | 1.000 EA |
| 19XW3118G08            | .31-18X.50,HEX WSHR HD,TAPTITE 2,GREEN   | 1.000 EA |
| 10CB3500SP             | CONDUIT BOX LID, CAST                    | 1.000 EA |
| 10GS1000SP             | GASKET, CONDUIT BOX LID                  | 1.000 EA |
| 51XW2520A12            | .25-20 X .75, TAPTITE II, HEX WSHR SLTD  | 4.000 EA |
| MG1025L14              | WILKOFAS, 776.14, GRUNDFOS BLACK         | 0.125 GA |
| PK6014                 | STEEL STRAP FOR 309-312 BASELESS MOTORS  | 4.000 EA |
| 12PA1000               | PACKAGING GROUP PRINT PK1024A07          | 1.000 EA |
| 10XN3816K10            | BOLT, 3/8-16 X 5/8 HHCS YZ               | 4.000 EA |

|           |                                   |          |
|-----------|-----------------------------------|----------|
| HW2501G18 | SQUARE STEEL KEY .375 X 2.00 LONG | 1.000 EA |
|-----------|-----------------------------------|----------|

**AC Induction Motor Performance Data**

Record # 55452

Typical performance - not guaranteed values

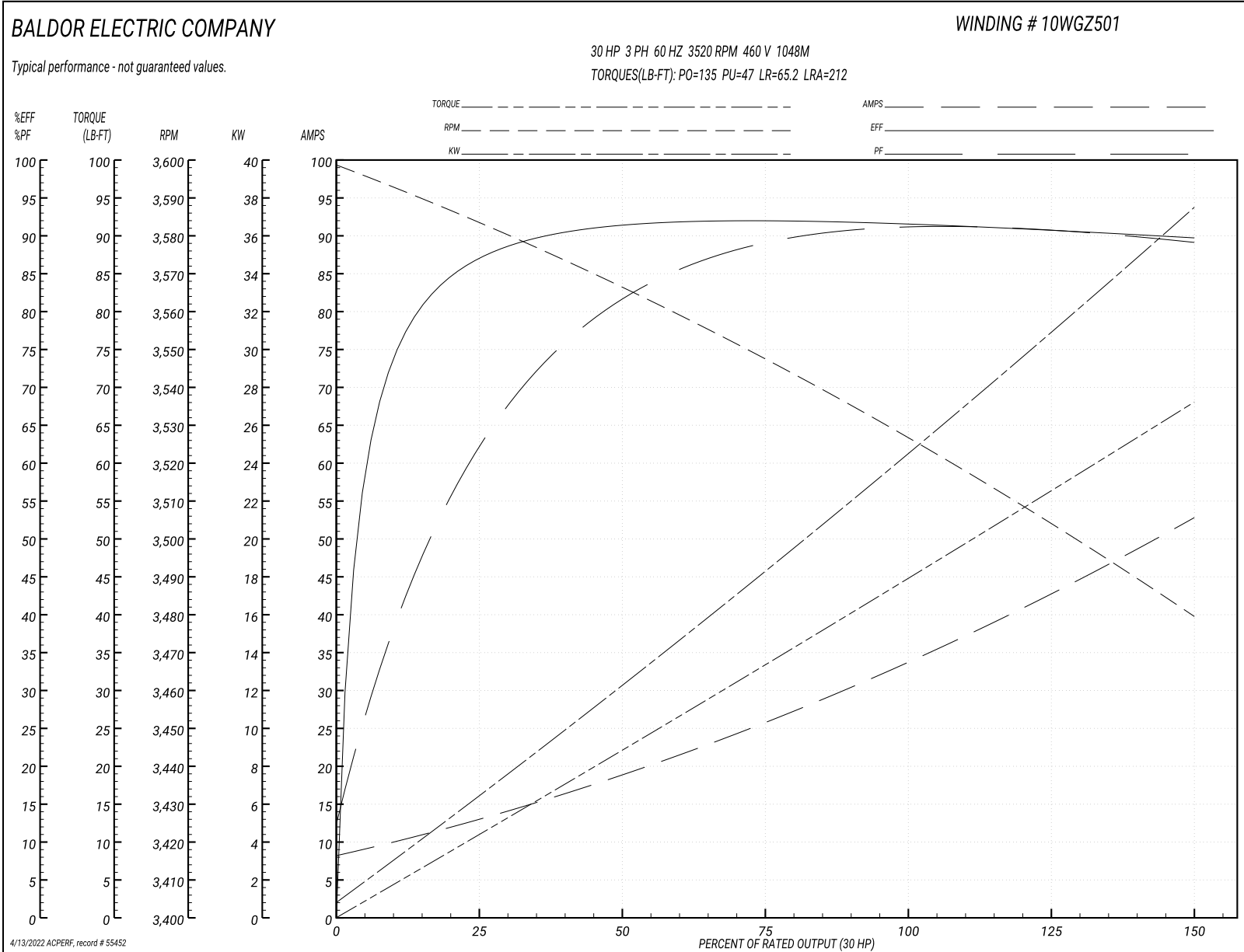
| <b>Winding: 10WGZ501-R001</b> |                   | <b>Type: 1048M</b>               |                                                  | <b>Enclosure: TEFC</b>       |           |
|-------------------------------|-------------------|----------------------------------|--------------------------------------------------|------------------------------|-----------|
| <b>Nameplate Data</b>         |                   |                                  | <b>460 V, 60 Hz:<br/>High Voltage Connection</b> |                              |           |
| <b>Rated Output (HP)</b>      | 30                | <b>Full Load Torque</b>          | 44.8 LB-FT                                       |                              |           |
| <b>Volts</b>                  | 230/460           | <b>Start Configuration</b>       | direct on line                                   |                              |           |
| <b>Full Load Amps</b>         | 68/34             | <b>Breakdown Torque</b>          | 135 LB-FT                                        |                              |           |
| <b>R.P.M.</b>                 | 3520              | <b>Pull-up Torque</b>            | 47 LB-FT                                         |                              |           |
| <b>Hz</b>                     | 60 <b>Phase</b>   | 3                                | <b>Locked-rotor Torque</b>                       | 65.2 LB-FT                   |           |
| <b>NEMA Design Code</b>       | <b>B KVA Code</b> | G                                | <b>Starting Current</b>                          | 212 A                        |           |
| <b>Service Factor (S.F.)</b>  | 1.15              | <b>No-load Current</b>           | 8.74 A                                           |                              |           |
| <b>NEMA Nom. Eff.</b>         | 91.7              | <b>Power Factor</b>              | 90                                               | <b>Line-line Res. @ 25°C</b> | 0.24052 Ω |
| <b>Rating - Duty</b>          | 40C AMB-CONT      | <b>Temp. Rise @ Rated Load</b>   | 69°C                                             |                              |           |
| <b>S.F. Amps</b>              |                   | <b>Temp. Rise @ S.F. Load</b>    | 85°C                                             |                              |           |
|                               |                   | <b>Locked-rotor Power Factor</b> | 23.2                                             |                              |           |

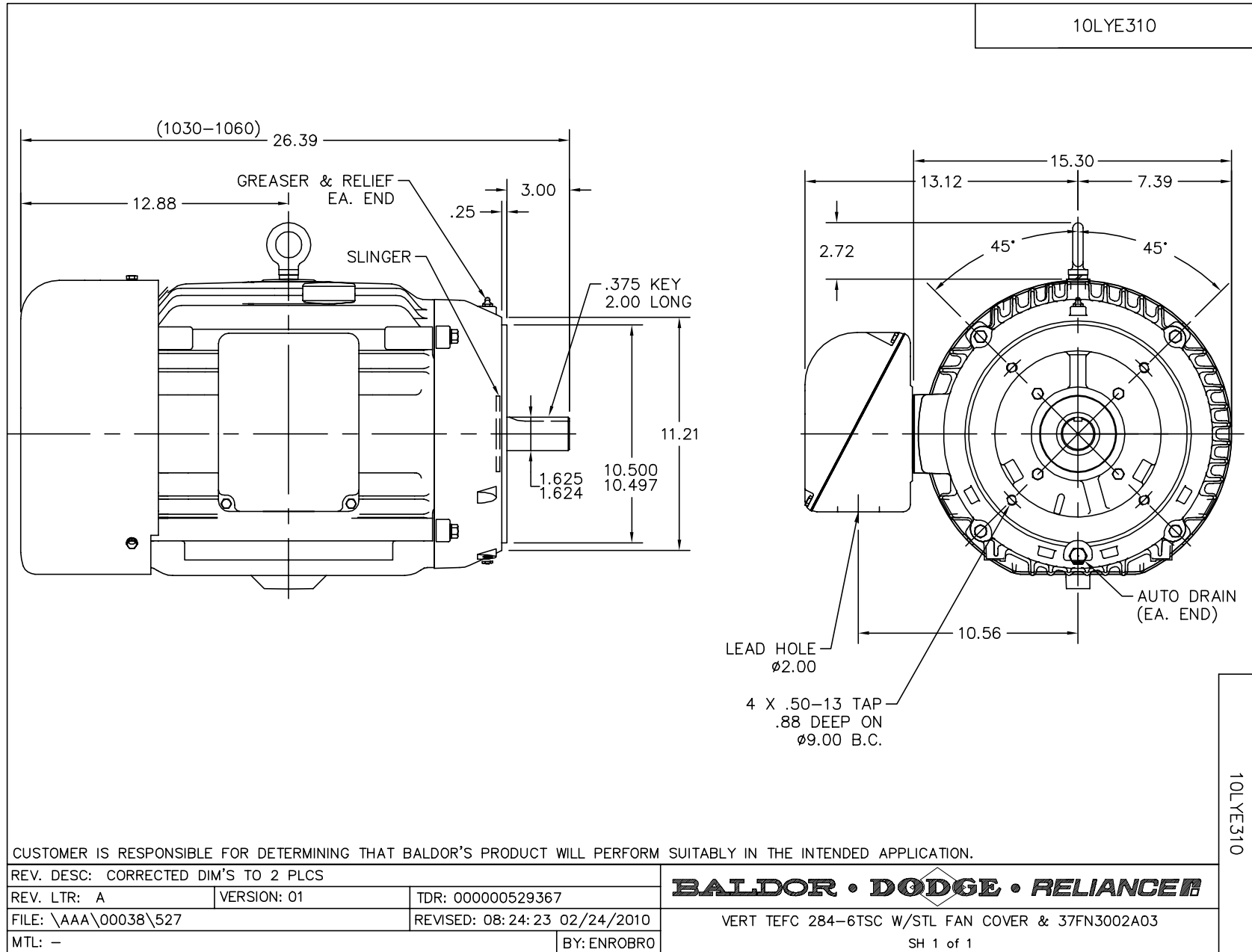
**Load Characteristics 460 V, 60 Hz, 30 HP**

| <b>% of Rated Load</b> | <b>25</b> | <b>50</b> | <b>75</b> | <b>100</b> | <b>125</b> | <b>150</b> | <b>S.F.</b> |
|------------------------|-----------|-----------|-----------|------------|------------|------------|-------------|
| <b>Power Factor</b>    | 67        | 83        | 88        | 90         | 90         | 90         | 90          |
| <b>Efficiency</b>      | 87        | 91.3      | 92        | 91.7       | 90.9       | 89.7       | 91.2        |
| <b>Speed</b>           | 3583      | 3565.7    | 3547.3    | 3526.7     | 3504.4     | 3479.1     | 3513        |
| <b>Line amperes</b>    | 12.4      | 18.7      | 26.1      | 34.1       | 43.1       | 52.5       | 39.5        |



Performance Graph at 460V, 60Hz, 30.0HP Typical performance - Not guaranteed values

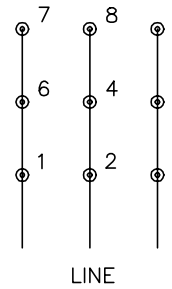




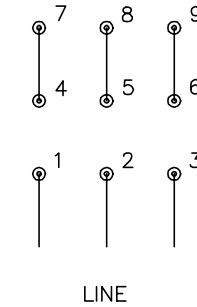
CD0180



LOW VOLTAGE  
(2D)



HIGH VOLTAGE  
(1D)



NOTES:

1. INTERCHANGE ANY TWO LINE LEADS TO REVERSE ROTATION.
2. OPTIONAL THERMOSTATS ARE PROVIDED WHEN SPECIFIED.
3. ACTUAL NUMBER OF INTERNAL PARALLEL CIRCUITS MAY BE A MULTIPLE OF THOSE SHOWN ABOVE.
4. LEAD COLORS ARE OPTIONAL. LEADS MUST ALWAYS BE NUMBERED AS SHOWN.

CD0180

|                                   |                              |                   |
|-----------------------------------|------------------------------|-------------------|
| REV. DESC: ADD CLASS CONN00000007 |                              |                   |
| REV. LTR: D                       | VERSION: 01                  | TDR: 000001099922 |
| FILE: \AAA\00005\148              | REVISED: 10:25:29 02/19/2019 | BY: ENBRIRO       |
| MTL: -                            | © □                          |                   |

**BALDOR - RELIANCE**®

3PH, DV, 9 LEADS, DELTA CONNECTION

SH 1 of 1

Marketing maintained PDF of MN416:

<http://www.baldor.com/support/Literature/Load.ashx/MN416?ManNumber=MN416>