

# PRODUCT INFORMATION PACKET

Model No: 182THTCD9002

Catalog No: W517A-P

XRI®-841 Severe Duty Motor, 3 HP, 3 Ph, 60 Hz, 460 V, 3600 RPM, 182T Frame, TENV



Regal and Marathon are trademarks of Regal Rexnord Corporation or one of its affiliated companies.

©2023 Regal Rexnord Corporation, All Rights Reserved. MC017097E

### Nameplate Specifications

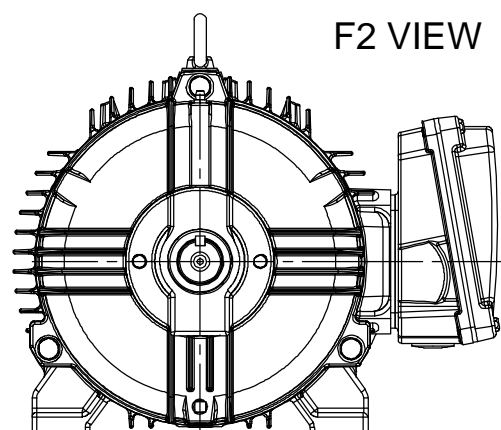
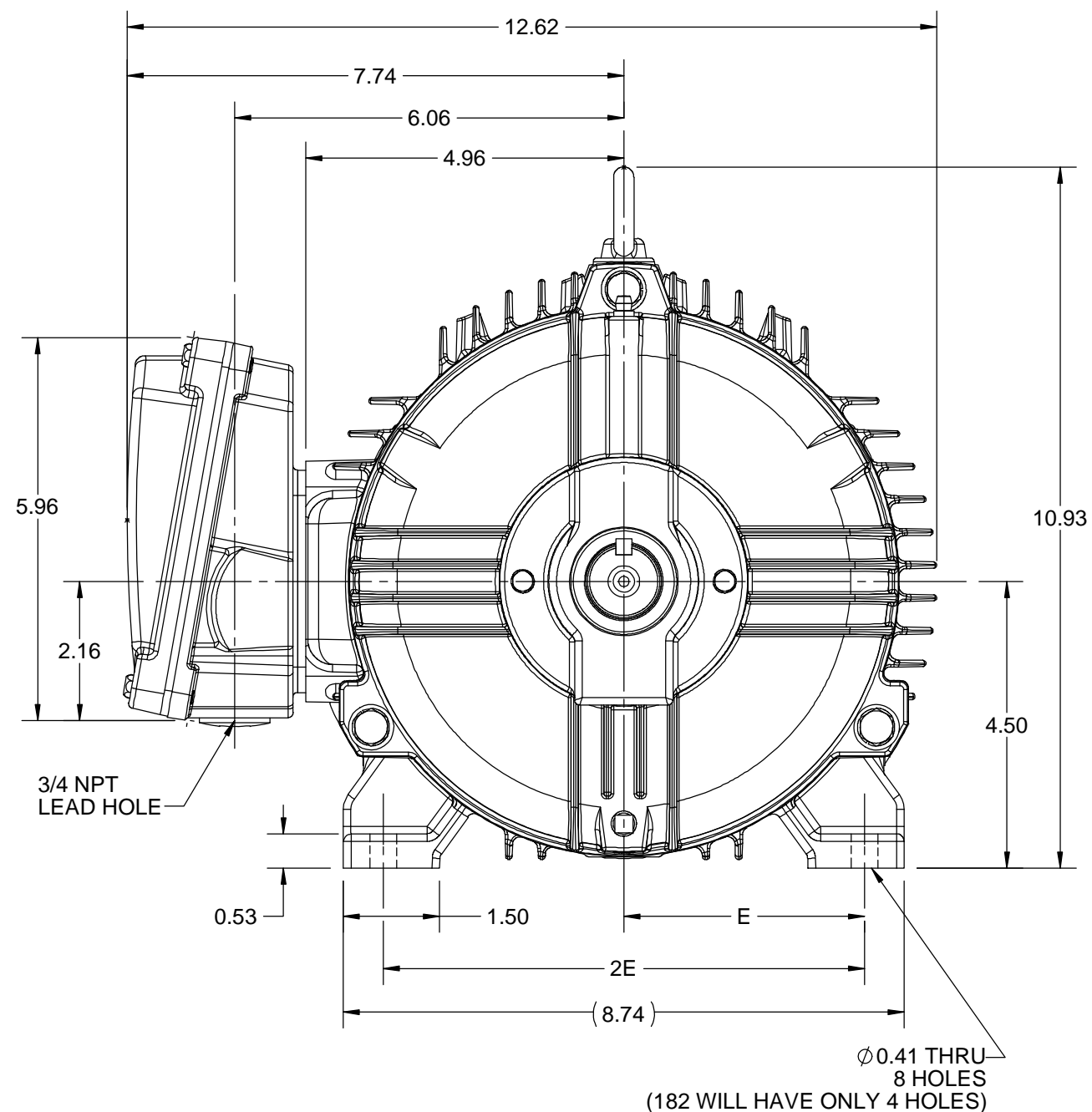
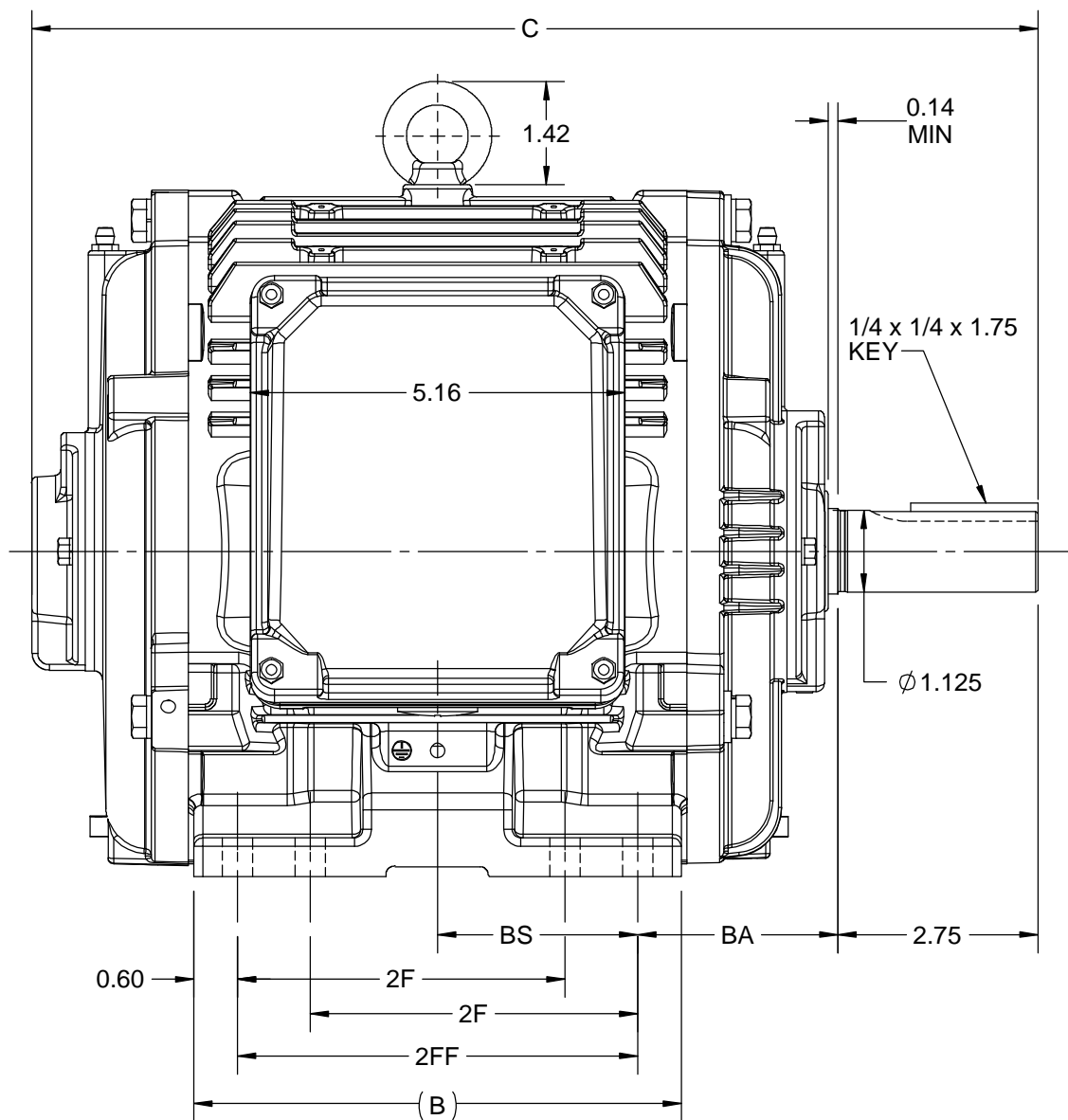
|                        |                      |                            |  |
|------------------------|----------------------|----------------------------|--|
| Phase                  | <b>3</b>             | Output HP                  | <b>3 Hp</b>                            |
| Output KW              | <b>2.2 kW</b>        | Voltage                    | <b>460 V</b>                           |
| Speed                  | <b>3527 rpm</b>      | Service Factor             | <b>1.15</b>                            |
| Frame                  | <b>182T</b>          | Enclosure                  | <b>Totally Enclosed Non Ventilated</b> |
| Thermal Protection     | <b>No Protection</b> | Efficiency                 | <b>89.5 %</b>                          |
| Ambient Temperature    | <b>40 °C</b>         | Frequency                  | <b>60 Hz</b>                           |
| Current                | <b>3.5 A</b>         | Power Factor               | <b>89</b>                              |
| Duty                   | <b>Continuous</b>    | Insulation Class           | <b>H</b>                               |
| Design Code            | <b>B</b>             | KVA Code                   | <b>K</b>                               |
| Drive End Bearing Size | <b>6206</b>          | Opp Drive End Bearing Size | <b>6205</b>                            |
| UL                     | <b>Recognized</b>    | CSA                        | <b>Y</b>                               |
| CE                     | <b>Y</b>             | IP Code                    | <b>56</b>                              |
| Number of Speeds       | <b>1</b>             |                            |  |

### Technical Specifications

|                       |                                     |                    |                                   |
|-----------------------|-------------------------------------|--------------------|-----------------------------------|
| Electrical Type       | <b>Squirrel Cage Inverter Rated</b> | Starting Method    | <b>Line Or Inverter</b>           |
| Poles                 | <b>2</b>                            | Rotation           | <b>Reversible</b>                 |
| Resistance Main       | <b>4.49 Ohms</b>                    | Mounting           | <b>Rigid Base</b>                 |
| Motor Orientation     | <b>Horizontal</b>                   | Drive End Bearing  | <b>Ball</b>                       |
| Opp Drive End Bearing | <b>Ball</b>                         | Frame Material     | <b>Cast Iron</b>                  |
| Shaft Type            | <b>T</b>                            | Shaft Diameter     | <b>1.125 in</b>                   |
| Assembly/Box Mounting | <b>F1/F2 CAPABLE</b>                | Inverter Load      | <b>CONSTANT 2:1/VARIABLE 10:1</b> |
| Outline Drawing       | <b>SS600211-200</b>                 | Connection Drawing | <b>EE7300</b>                     |

This is an uncontrolled document once printed or downloaded and is subject to change without notice. Date Created:04/24/2023

| DASH NO. | 4    |       |      |      | 3    |      |      |      | MOUNTING | FRAME    |
|----------|------|-------|------|------|------|------|------|------|----------|----------|
|          | B    | C     | E    | 2E   | 2F   | 2FF  | BA   | BS   |          |          |
| 100      | 5.67 | 12.82 | 3.75 | 7.50 | -    | 4.50 | 2.75 | 2.35 | F1 OR F2 | 182T     |
| 200      | 6.69 | 13.82 |      |      | 4.50 | 5.50 |      | 2.75 | F1 OR F2 | 182/184T |



|  |                      |                               |
|--|----------------------|-------------------------------|
| DRAWING REVISION<br>B  | REVISION BY<br>BISWA | REV DATE/© DATE<br>06/10/2020 |
| ECO<br>ECO-0194180   | APPROVED BY<br>GNK   | DATE<br>06/10/2020            |
| ECO DESCRIPTION<br><b>DRAWING UPDATED.</b><br>COPYRIGHT (PER REVISION DATE) REGAL BELOIT AMERICA, INC. ALL RIGHTS RESERVED. PROPRIETARY AND CONFIDENTIAL INFORMATION - THIS DOCUMENT IS THE PROPERTY OF REGAL BELOIT AMERICA, INC. ("OWNER") AND CONTAINS OWNER'S PROPRIETARY INFORMATION. ANY PERSON, CORPORATION OR OTHER FIRM RECEIVING IT IS DEEMED, BY RECEIVING IT, TO AGREE THAT IT, AND/OR ANY PART OF IT, SHALL NOT BE DISCLOSED TO ANY PERSON, CORPORATION OR OTHER ENTITY, DUPLICATED, AND/OR USED, EXCEPT AS EXPRESSLY APPROVED IN WRITING IN ADVANCE BY OWNER. THIS DOCUMENT SHALL BE RETURNED TO OWNER UPON REQUEST. IT MAY BE SUBJECT TO CERTAIN RESTRICTIONS UNDER APPLICABLE EXPORT CONTROL LAWS AND REGULATIONS. |                      |                               |

PRIMARY DIMENSIONS ARE INCH  
mm DIMENSIONS IN [BRACKETS]  
ARE FOR REFERENCE ONLY

|                        |   |
|------------------------|---|
| DRAWN BY<br>BISWA      | <b>REGAL</b> ® Regal Beloit America, Inc.                   |
| DATE<br>06/10/2020     |   |
| APPROVED BY<br>SBD     | DESCRIPTION<br><b>OUTLINE</b><br>182/184T FR-NEMA-TEAO/TENV |
| DATE<br>06/10/2020     | MATERIAL  |
| REFERENCE              | PROCESS/FINISH  |
| THIRD ANGLE PROJECTION | SIZE<br>B   |
|                        | DRAWING NUMBER<br>SS600211                                  |
|                        | SHEET<br>1 OF 1   |

THREE PHASE - SINGLE VOLTAGE  
MOTOR - CONDUIT BOX @ 'A'

TERMINAL BLOCK WHEN SPECIFIED

TO REVERSE ROTATION:  
INTERCHANGE ANY TWO LINE  
LEAD CONNECTIONS



VIEW OF TERMINAL END

**OPTIONAL CORD CONNECTION**

|    |       |
|----|-------|
| L1 | WHITE |
| L2 | RED   |
| L3 | BLACK |

|   |                   |                               |
|---|-------------------|-------------------------------|
| DRAWING REVISION<br>AC  | REVISION BY<br>BS | REV DATE/© DATE<br>26/07/2022 |
| REQUEST NUMBER<br>CR-0010402  | APPROVED BY<br>SN | DATE<br>26/07/2022            |
| REQUEST NUMBER DESCRIPTION<br>DRAWING UPDATED   |                   |                               |
| <small>COPYRIGHT (PER REVISION DATE) REGAL BELOIT AMERICA, INC. ALL RIGHTS RESERVED. PROPRIETARY AND CONFIDENTIAL INFORMATION - THIS DOCUMENT IS THE PROPERTY OF REGAL BELOIT AMERICA, INC. ("OWNER") AND CONTAINS OWNER'S PROPRIETARY INFORMATION. ANY PERSON, CORPORATION OR OTHER FIRM RECEIVING IT IS DEEMED, BY RECEIVING IT, TO AGREE THAT IT, AND/OR ANY PART OF IT, SHALL NOT BE DISCLOSED TO ANY PERSON, CORPORATION OR OTHER ENTITY, DUPLICATED, AND/OR USED, EXCEPT AS EXPRESSLY APPROVED IN WRITING IN ADVANCE BY OWNER. THIS DOCUMENT SHALL BE RETURNED TO OWNER UPON REQUEST. IT MAY BE SUBJECT TO CERTAIN RESTRICTIONS UNDER APPLICABLE EXPORT CONTROL LAWS AND REGULATIONS.</small> |                   |                               |

PRIMARY DIMENSIONS ARE INCH  
mm DIMENSIONS IN [BRACKETS]  
ARE FOR REFERENCE ONLY

|                        |
|------------------------|
| DRAWN BY<br>DA         |
| DATE<br>03-26-1993     |
| APPROVED BY<br>TB      |
| DATE<br>03-26-1993     |
| REFERENCE              |
| THIRD ANGLE PROJECTION |

|  |                          |                            |                 |
|--|--------------------------|----------------------------|-----------------|
|  |                          | Regal Beloit America, Inc. |                 |
| DESCRIPTION<br><b>CONNECTION DIAGRAM</b><br>EXTERNAL - SINGLE VOLTAGE - 3Ø MOTOR |                          |                            |                 |
| MATERIAL   |                          | PROCESS/FINISH             |                 |
| SIZE<br>A  | DRAWING NUMBER<br>EE7300 |                            | SHEET<br>1 OF 1 |

## EC Declaration of Conformity

The undersigned representing  
the manufacturer:

Regal Beloit America  
100 East Randolph St.  
Wausau, WI 54401

and the authorized representative  
established within the Community:

Marathon Electric UK  
6F Thistleton Road Ind. Estate  
Market Overton  
Oakham, Rutland LE15 7PP UK

are committed to providing customers with products that comply with applicable regulations and international protocols to which they are subject, including the requirements of the European Parliament Directive on the Harmonization of the laws relating to electrical equipment designed for use within certain voltage limits (2014/35/EU).

Regal Beloit America declares that the following product(s), to which this declaration relates, are in conformity with the relevant sections of the EC standards listed below.

This statement supersedes any statements previously issued pertaining to the product(s) listed below and is subject to change without notice.

Model No : 182THTCD9002

(Model No. may contain prefix and/or suffix characters)

Catalog No : W517A-P

Rework No : N/A

Directives :

Low Voltage Directive 2014/35/EU

Harmonized Standards Used :

EN 60034-1: 2010 (IEC 60034-1: 2010)

EN 60034-5: 2001/A1:2007 (IEC 60034-5: 2000/A1:2006)

Authorized Representative:



Michael A. Logsdon  
Vice President, Technology

Authorized Representative in the Community:



Julian Clark  
Marketing Engineer

Created on 09/22/2022

**CE 22**